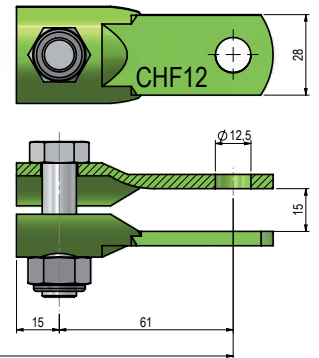
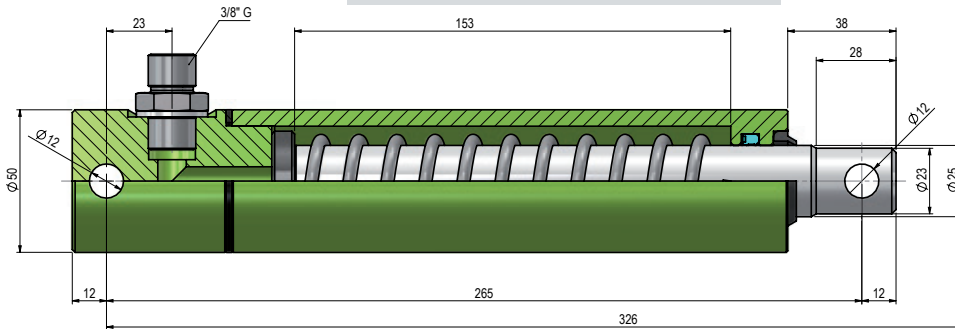


**2550100RN**



Optional Yoke Ref: CHF12

| REF.       | Ø Rod | STROKE<br>Z | ØExt | Vol (L) | WEIGHT<br>(kg) |
|------------|-------|-------------|------|---------|----------------|
| 2550100RN  | 25    | 100         | 50   | 0,12    | 3,05           |
| 3055100RNH | 30    | 100         | 55   | 0,16    | 3,75           |

**3055100RNH**

| PALONNIER TYPE |    |             |                |  |
|----------------|----|-------------|----------------|--|
| REF.           | ØA | STROKE<br>Z | WEIGHT<br>(kg) |  |
| VFP25          | 25 | 110         | 4,47           |  |
| VFP30          | 30 | 110         | 4,93           |  |
| VFP35          | 35 | 110         | 5,50           |  |

