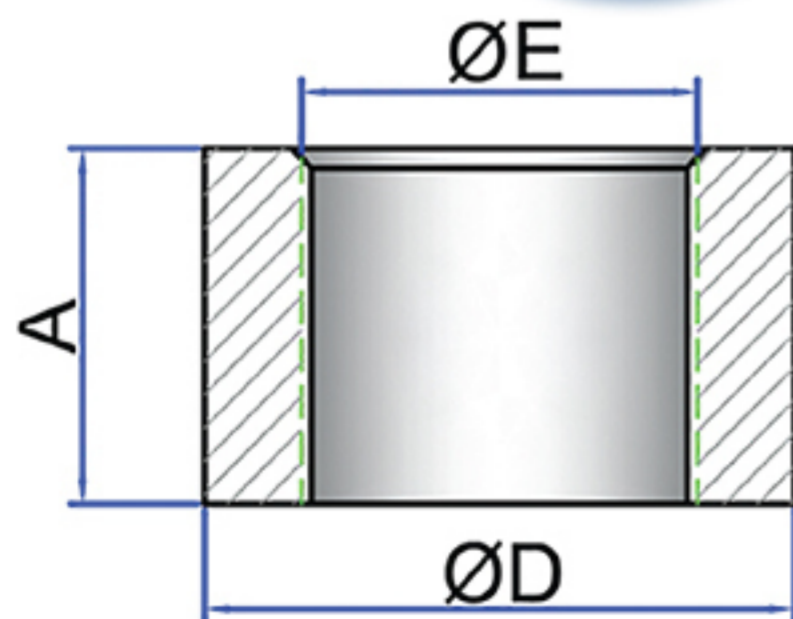


FEMALE THREADED PORTS

STEEL - 9SMN28

BSP, METRIC, SAE & NPT VERSIONS



ORDER CODE	E Ø PORT THREAD	D Ø(mm)	A (mm)
RP092A	1/8" (bsp)	20	14
RP092 (1)	1/4" (bsp)	22	16
RP093 (1)	3/8" (bsp)	26	17
RP094 (1)	1/2" (bsp)	30	18
RP095	3/4" (bsp)	38	20
RP096	1" (bsp)	45	25
RP096A	1-1/4" (bsp)	55	25
RP096B	1-1/2" (bsp)	62	30
RP096C	2" (bsp)	70	30

RP096D	12 x 1.5 (m)	22	16
RP097	14 x 1.5 (m)	22	16
RP097B	16 x 1.5 (m)	26	17
RP098	18 x 1.5 (m)	28	18
RP098A	20 x 1.5 (m)	30	18
RP099	22 x 1.5 (m)	30	18

RP072	9/16" - 18 (SAE06)	22	18
RP073	3/4" - 16 (SAE08)	28	18
RP074	1-1/16" - 12 (SAE12)	38	26
RP075	1-1/2" - 12 (SAE16)	45	32

RP082	1/4" (npt)	26	12.7
RP083	3/8" (npt)	26	12.7
RP084	1/2" (npt)	32	17.45
RP085	3/4" (npt)	38	17.45

(1) = SIZE CAN BE SUPPLIED IN AISI 316 GRADE STAINLESS STEEL - PLEASE QUOTE 'SS' IN PART NUMBER, I.E RPSS093.