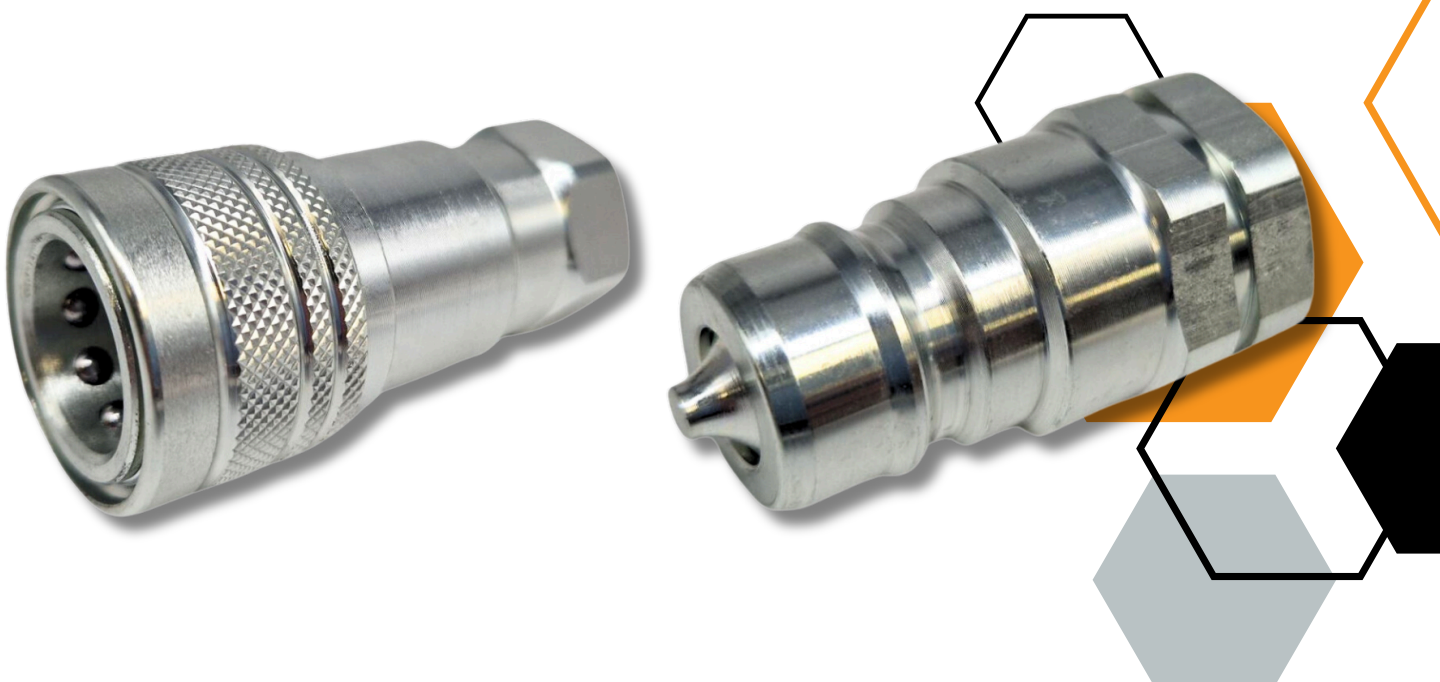




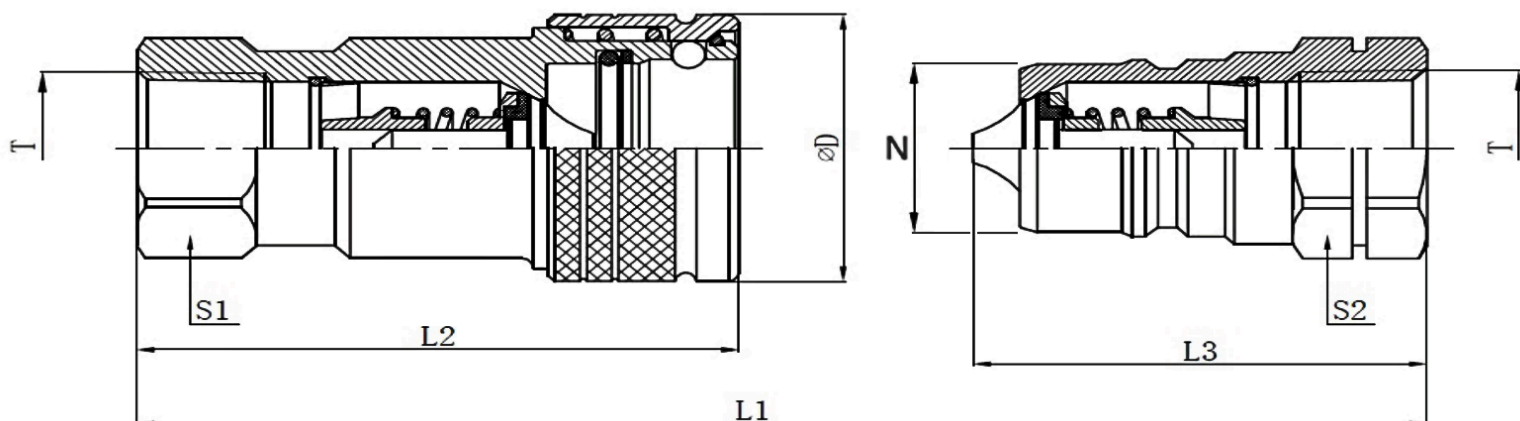
HYDRAULIC ISO A QUICK RELEASE COUPLINGS

Quick release couplings ISO A are standardized hydraulic connectors designed for quick and efficient connection and disconnection of hydraulic lines without the need for tools. These couplings follow the ISO 7241-A standard, which ensures interchangeability and compatibility across different manufacturers. They are widely used in agricultural, construction, and industrial applications for their ease of use and reliability.

- Standard: ISO 7241-1A
- Materials: Zinc Plated Carbon Steel Body
- Seals: Standard in nitrile NBR. On request FKM & EDM Seals
- Back-up ring - PTFE
- Working temperature with standard seals: -25°C + 125°C



DIMENSIONS



DN	ISO	L1	L2	L3	ØD	S1	S2	N	T	PRODUCT REFERENCE (F)	PRODUCT REFERENCE (M)
04	6.3	70.5	49.2	35.0	26.0	19.0	19.0	Ø11.85	1/4" BSP	QRCISOAF14	QRCISOAM14
06	10	85.7	60.5	42.5	30.5	22.0	22.0	Ø17.3	3/8" BSP	QRCISOAF38	QRCISOAM38
08	12.5	93.0	68.5	46.5	38.0	27.0	27.0	Ø20.55	1/2" BSP	QRCISOAF12	QRCISOAM12
12	20	114.2	84.1	57.1	46.0	34.0	34.0	Ø29.1	3/4" BSP	QRCISOAF34	QRCISOAM34
16	25	131.8	99.5	65.5	52.0	41.0	41.0	Ø34.35	1" BSP	QRCISOAF1	QRCISOAM1
20	31.5	148.0	116.0	74.0	69.5	50.0	50.0	Ø45	1-1/4" BSP	QRCISOAF14	QRCISOAM14
24	40	168.0	134.7	84.0	82.0	60.0	60.0	Ø55	1-1/2" BSP	QRCISOAF12	QRCISOAM12
32	50	200.2	160.0	100.0	99.0	75.0	75.0	Ø65.1	2" BSP	QRCISOAF2	QRCISOAM2

NOMINAL SIZE		MAX WORKING PRESSURE	MAX FLOW	RATED FLOW	MIN BURST PRESSURE			FLUID SPILLAGE
DN	ISO				MALE	FEMALE	COUPLED	
		(BAR)	(L/M)	(L/M)	(BAR)	(BAR)	(BAR)	(CC)
04	6.3	350	17	12	1500	1700	1400	0.5
06	10	350	46	23	1400	1500	1500	1.9
08	12.5	250	90	45	1000	1400	1200	2.7
12	20	250	190	106	900	1500	1000	9.3
16	25	250	280	189	1300	1300	1200	16
20	31.5	200	480	288	1100	850	1000	30
24	40	190	757	379	800	800	820	54
32	50	160	1000	757	650	960	1000	120

ACCESSORIES

Dust plugs for quick release couplings serve an important role in protecting the coupling from contaminants like dirt, moisture, and debris when not in use. By covering the exposed ends of the coupling, dust plugs help prevent damage to the internal components, ensure a proper seal, and maintain the overall functionality and longevity of the coupling. They also help maintain the cleanliness of the coupling, ensuring that it works efficiently when it is connected.



DN	ISO	THREAD	FEMALE DUST PLUG	MALE DUST PLUG	COLOUR	MATERIAL
04	6.3	1/4" BSP	PPQRCISOAF14	PPQRCISOAM14	Red	Plastic
06	10	3/8" BSP	PPQRCISOAF38	PPQRCISOAF38	Red	Plastic
08	12.5	1/2" BSP	PPQRCISOAF12	PPQRCISOAM12	Red	Plastic
12	20	3/4" BSP	PPQRCISOAF34	PPQRCISOAM34	Red	Plastic
16	25	1" BSP	PPQRCISOAF1	PPQRCISOAMI	Red	Plastic



DN	ISO	THREAD	FEMALE DUST PLUG	MALE DUST PLUG	MATERIAL
20	31.5	1-1/4" BSP	ALQRCISOAF114	ALQRCISOAF114	Aluminium
24	40	1-1/2" BSP	ALQRCISOAF2	ALQRCISOAM112	Aluminium
32	50	2" BSP	ALQRCISOAM2	ALQRCISOAM2	Aluminium