



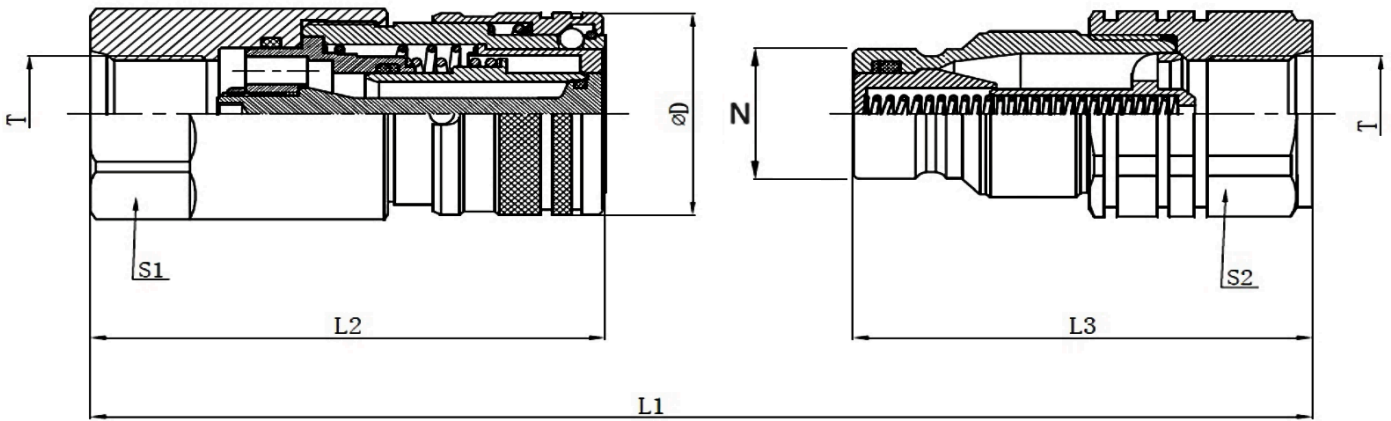
HYDRAULIC FLAT FACE QUICK RELEASE COUPLINGS

Hydraulic flat face quick release couplings are a type of quick-connect hydraulic connector commonly used in systems that require the rapid connection and disconnection of hydraulic lines. These couplings are designed to allow fluid to flow between two connected components, such as hoses, pipes, or machinery, without causing leakage or contamination when they are disconnected.

- Standard: ISO 16028
- Materials: Zinc Plated Carbon Steel Body
- Seals: Standard in nitrile NBR. On request FKM, PU & EDM Seals
- Back-up ring - PTFE
- Working temperature with standard seals: -25°C + 125°C



DIMENSIONS



| DN | ISO | L1 | L2 | L3 | ØD | S1 | S2 | N | T | PRODUCT REFERENCE (F) | PRODUCT REFERENCE (M) |
|----|------|-------|-------|-------|------|------|------|-------|------------|-----------------------|-----------------------|
| 04 | 6.3 | 110.7 | 59.0 | 52.2 | 28.0 | 22.0 | 22.0 | Ø16.2 | 1/4" BSP | QRCFFF14 | QRCFFM14 |
| 06 | 10 | 118.0 | 73.7 | 60.0 | 32.0 | 30.0 | 30.0 | Ø19.8 | 3/8" BSP | QRCFFF38 | QRCFFM38 |
| 06 | 10 | 118.0 | 73.7 | 60.0 | 32.0 | 30.0 | 30.0 | Ø19.8 | 1/2" BSP | QRCFFF12-38 | QRCFFM12-38 |
| 08 | 12.5 | 138.0 | 81.3 | 74.0 | 38.0 | 36.0 | 36.0 | Ø24.6 | 1/2" BSP | QRCFFF12 | QRCFFM12 |
| 08 | 12.5 | 138.0 | 81.3 | 74.0 | 38.0 | 36.0 | 36.0 | Ø24.6 | 3/4" BSP | QRCFFF34-12 | QRCFFM34-12 |
| 12 | 20 | 159.0 | 94.5 | 86.0 | 48.0 | 41.0 | 41.0 | Ø30.0 | 3/4" BSP | QRCFFF34 | QRCFFM34 |
| 12 | 20 | 159.0 | 94.5 | 86.0 | 48.0 | 41.0 | 41.0 | Ø30.0 | 1" BSP | QRCFFF1-34 | QRCFFM1-34 |
| 16 | 25 | 179.0 | 109.5 | 92.0 | 55.0 | 50.0 | 50.0 | Ø36.0 | 1" BSP | QRCFFF1 | QRCFFM1 |
| 16 | 25 | 179.0 | 109.5 | 92.0 | 55.0 | 50.0 | 50.0 | Ø36.0 | 1-1/4" BSP | QRCFFF1620114 | QRCFFM1620114 |
| 24 | 40 | 222.7 | 132 | 119.7 | 80.0 | 65.0 | 70.0 | Ø57.0 | 1-1/2" BSP | QRCFFM24112 | QRCFFM24112 |
| 32 | 50 | 284 | 147.3 | 173.2 | 103 | 80.0 | 80.0 | Ø72.9 | 2" BSP | QRCFFF322 | QRCFFM322 |

| NOMINAL SIZE | | MAX WORKING PRESSURE | MAX FLOW | RATED FLOW | MIN BURST PRESSURE | | | FLUID SPILLAGE |
|--------------|------|----------------------|----------|------------|--------------------|--------|---------|----------------|
| | | | | | MALE | FEMALE | COUPLED | |
| DN | ISO | (BAR) | (L/M) | (L/M) | (BAR) | (BAR) | (BAR) | (CC) |
| 04 | 6.3 | 400 | 24 | 12 | 1900 | 1900 | 1430 | 0.008 |
| 06 | 10 | 350 | 46 | 23 | 1560 | 1780 | 1610 | 0.01 |
| 08 | 12.5 | 350 | 90 | 45 | 1700 | 1590 | 1900 | 0.012 |
| 12 | 20 | 350 | 170 | 100 | 1660 | 1470 | 1840 | 0.02 |
| 16 | 25 | 350 | 378 | 189 | 1470 | 1400 | 1530 | 0.03 |
| 24 | 40 | 200 | 700 | 379 | 1200 | 110 | 110 | 0.05 |
| 32 | 50 | 150 | 1000 | 757 | 700 | 650 | 650 | 0.10 |

STATIC BURST TEST

Dimensions with ISO16028 and technical data with ISO7241-2

| DN | ISO | WP TARGET | COUPLED | MALE | FEMALE |
|--------------|------|--|---------|------|--------|
| 04 | 6.3 | 420 | 2486 | 2331 | 1795 |
| 06 | 10 | 375 | 2485 | 2546 | 1738 |
| 08 | 12.5 | 350 | 2394 | 2700 | 1548 |
| 10 | 16 | 350 | 2529 | 1829 | 1632 |
| 12 | 20 | 350 | 1992 | 2282 | 1491 |
| 16 | 25 | 350 | 1664 | 1883 | 1432 |
| BURST TARGET | | UNCOUPLED PARTS: WP X 3 (BURST PRESSURE) | | | |
| | | COUPLED: WP X 4 (BURST PRESSURE) | | | |

IMPULSING TEST

Dimensions with ISO16028 and technical data with ISO7241-2

| DN | ISO | TEST PRESSURE | Camp 2610(n°kcicli) |
|------------------|------|---|---------------------|
| 04 | 6.3 | 420 | 1,100,000 |
| 06 | 10 | 375 | 1,100,000 |
| 08 | 12.5 | 350 | 1,120,000 |
| 10 | 16 | 350 | 1,001,000 |
| 12 | 20 | 350 | 1,060,000 |
| 16 | 25 | 350 | 1,005,000 |
| IMPULSING TARGET | | 1 MILLION CYCLES AT WP LEVEL AND CONNECT OR DISCONNECT EVERY 100,000 CYCLES | |

ACCESSORIES

Dust plugs for quick release couplings serve an important role in protecting the coupling from contaminants like dirt, moisture, and debris when not in use. By covering the exposed ends of the coupling, dust plugs help prevent damage to the internal components, ensure a proper seal, and maintain the overall functionality and longevity of the coupling. They also help maintain the cleanliness of the coupling, ensuring that it works efficiently when it is connected.



| DN | ISO | THREAD | FEMALE DUST PLUG | MALE DUST PLUG | COLOUR | MATERIAL |
|----|------|----------|------------------|----------------|--------|----------|
| 04 | 6.3 | 1/4" BSP | PPQRCFFF14 | PPQRCFFM14 | Red | Plastic |
| 06 | 10 | 3/8" BSP | PPQRCFFF38 | PPQRCFFM38 | Red | Plastic |
| 08 | 12.5 | 1/2" BSP | PPQRCFFF12 | PPQRCFFM12 | Red | Plastic |
| 12 | 20 | 3/4" BSP | PPQRCFFF34 | PPQRCFFM34 | Red | Plastic |
| 16 | 25 | 1" BSP | PPQRCFFF1 | PPQRCFFM1 | Red | Plastic |

