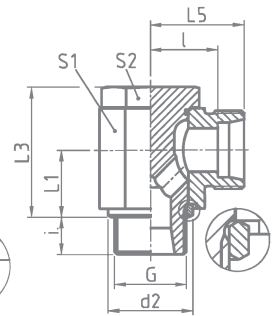
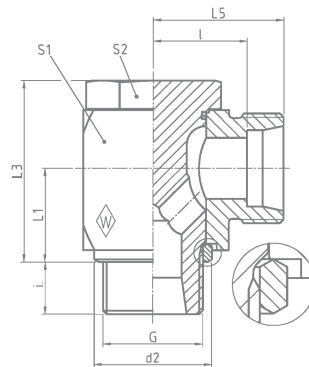
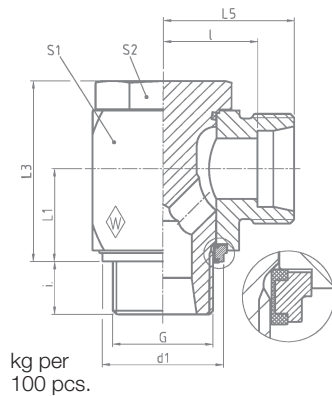
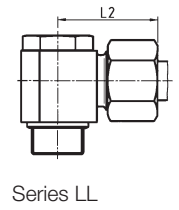
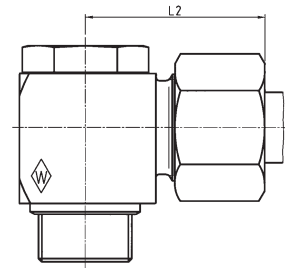
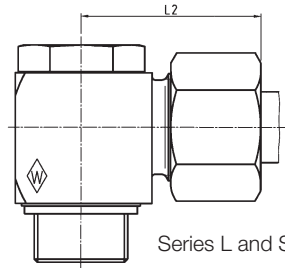


**P-RSWV ..... R**

Stud thread: BSP thread (parallel)

with elastomer seal

with metallic seal



DIN-ISO 228 (R...DIN 259)

Series bar Tube OD

**G**

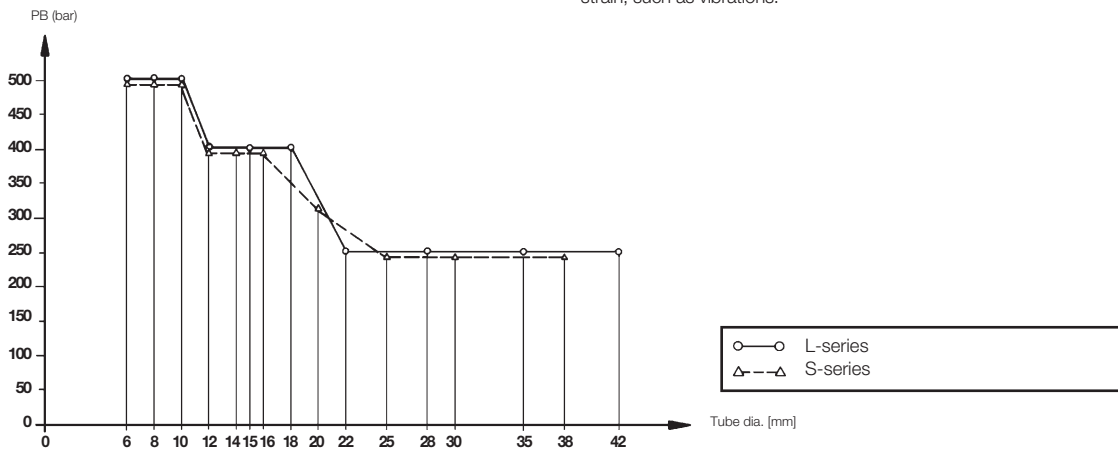
kg per 100 pcs.

			<b>G</b>		L <sub>1</sub>	L <sub>2</sub>	L <sub>3</sub>	L <sub>5</sub>	l	i	d <sub>1</sub> max.	d <sub>2</sub>	S <sub>1</sub>	S <sub>2</sub>
LL	100 (1450)	4	<b>G 1/8 A</b>	4,0	10	25,5	21	20	16	8		14,5	14	14
		6	<b>G 1/8 A</b>	4,2	10	26	21	20	14,5	8		14,5	14	14
		8	<b>G 1/8 A</b>	5,2	10	26	21	20	16	8		14,5	14	14
L	500 (7252)	6	<b>G 1/8 A</b>	5,9	10	27,5	21	20	13	8	14,9	13	14	14
		6	<b>G 1/4 A</b>	5,9	13,5	29,5	27	22	15	10	18,9	17,8	19	19
		8	<b>G 1/4 A</b>	9,3	13,5	28,5	27	21	14	10	18,9	17,8	19	19
	400 (5801)	10	<b>G 1/4 A</b>	10,2	13,5	29,5	27	22	15	10	18,9	17,8	19	19
		12	<b>G 1/4 A</b>	15,8	15,5	29,5	30	22	15	10	18,9	17,8	22	19
		12	<b>G 3/8 A</b>	15,9	16	32	32,5	24,5	17,5	10	21,9	22	24	22
		15	<b>G 1/2 A</b>	28,4	19,5	36	43	28	21	14	26,9	26	30	27
	250 (3626)	18	<b>G 1/2 A</b>	32,0	21,5	36,5	43	28	20,5	12	26,9	26	30	27
		22	<b>G 3/4 A</b>	48,5	24	43	48	34,5	27	16	32,9	32	36	32
		28	<b>G 1 A</b>	88,2	30,5	48	59	39	31,5	18	39,9	39	46	41
35		<b>G 1 1/4 A</b>	150,8	35,5	57	70	46	35,5	20	49,9	49	55	50	
42		<b>G 1 1/2 A</b>	234,1	40,5	62,5	80	51	40	22	55,9	55	65	55	
S	500 (7252)	6	<b>G 1/4 A</b>	8,7	13,5	30,5	27	23	16	10	18,9	17,8	19	19
		8	<b>G 1/4 A</b>	10,3	13,5	30,5	27	23	16	10	18,9	17,8	19	19
		10	<b>G 3/8 A</b>	17,0	16	34	32,5	25,5	18	10	21,9	22	24	22
	400 (5801)	12	<b>G 3/8 A</b>	17,9	16	34	32,5	25,5	18	10	21,9	22	24	22
		14	<b>G 1/2 A</b>	30,3	19,5	39,5	41	30	22	12	26,9	26	30	27
		16	<b>G 1/2 A</b>	31,6	21,5	39,5	43	30	21,5	12	26,9	26	30	27
	315 (4569)	20	<b>G 3/4 A</b>	51,8	24	47,5	48	36,5	26	16	32,9	32	36	32
		25	<b>G 1 A</b>	103,0	30,5	55	59	43	31	18	39,9	39	46	41
		30	<b>G 1 1/4 A</b>	163,7	35,5	63	70	50	36,5	20	49,9	49	55	50
250 (3626)	38	<b>G 1 1/2 A</b>	262,7	40,5	71,5	80	57	41	22	55,9	55	65	55	

L<sub>2</sub> = approximate length with nut tightened

**Operating pressure**

The operating pressures (PB) as shown are based on a safety factor of at least 2.5 and represent the maximum operating pressure permitted with primarily uniform load conditions at temperatures up to + 120°C (for steel). Allowances must be made for working conditions involving heavy impact pressure and mechanical strain, such as vibrations.



With special application conditions (e. g. higher temperatures or aggressive fluids) remove O-ring for the version with metallic sealing edge!

RSWS with elastomer seal				Individual components					
		RSWS with metallic seal		Body	Bolt with O-ring (NBR)*	O-ring (NBR)*		Retaining ring with captive seal (NBR)*	edge ring
Type	Reference	Type	Reference	Reference	Reference	Dimension	Reference	Reference	Reference
		<b>S-RSWV 4LLR</b>	<b>WAL607000</b>	WAL608333	WAL606516	8,5 x 1,5	WAL304288		WAL605824
		<b>S-RSWV 6LLR</b>	<b>WAL607001</b>	WAL608334	WAL606516	8,5 x 1,5	WAL304288		WAL605824
		<b>S-RSWV 8LLR</b>	<b>WAL607002</b>	WAL608335	WAL606516	8,5 x 1,5	WAL304288		WAL605824
<b>P-RSWV 6LR-WD</b>	<b>WAL607051</b>	<b>P-RSWV 6LR</b>	<b>WAL607003</b>	WAL605763	WAL606516	8,5 x 1,5	WAL304288	WAL606481	WAL605824
<b>P-RSWV 6L/R¼-WD</b>	<b>WAL606501</b>	<b>P-RSWV 6L/R¼</b>	<b>WAL606502</b>	WAL605764	WAL606519	11 x 2	WAL023492	WAL606482	WAL606740
<b>P-RSWV 8LR-WD</b>	<b>WAL607052</b>	<b>P-RSWV 8LR</b>	<b>WAL607004</b>	WAL605766	WAL606519	11 x 2	WAL023492	WAL606482	WAL606740
<b>P-RSWV 10LR-WD</b>	<b>WAL607053</b>	<b>P-RSWV 10LR</b>	<b>WAL607005</b>	WAL605768	WAL606519	11 x 2	WAL023492	WAL606482	WAL606740
<b>P-SWV 12L/R¼-WD</b>	<b>WAL607054</b>	<b>P-RSWV 12L/R¼</b>	<b>WAL607006</b>	WAL606076	WAL606522	11 x 2	WAL023492	WAL606482	WAL606740
<b>P-RSWV 12LR-WD</b>	<b>WAL607055</b>	<b>P-RSWV 12LR</b>	<b>WAL607007</b>	WAL605770	WAL606523	14,5 x 2	WAL605949	WAL606485	WAL605827
<b>P-RSWV 15LR-WD</b>	<b>WAL607056</b>	<b>P-RSWV 15LR</b>	<b>WAL607008</b>	WAL605775	WAL606527	19,5 x 2	WAL605951	WAL606488	WAL605831
<b>P-RSWV 18LR-WD</b>	<b>WAL607057</b>	<b>P-RSWV 18LR</b>	<b>WAL607009</b>	WAL605777	WAL606527	19,5 x 2	WAL605951	WAL606489	WAL606454
<b>P-RSWV 22LR-WD</b>	<b>WAL607058</b>	<b>P-RSWV 22LR</b>	<b>WAL607010</b>	WAL605779	WAL607401	26 x 1,5	WAL605952	WAL606492	WAL605833
<b>P-RSWV 28LR-WD</b>	<b>WAL607059</b>	<b>P-RSWV 28LR</b>	<b>WAL607011</b>	WAL605781	WAL607403	31 x 2	WAL250258	WAL606495	WAL605834
<b>P-RSWV 35LR-WD</b>	<b>WAL607060</b>	<b>P-RSWV 35LR</b>	<b>WAL607012</b>	WAL605783	WAL607405	40 x 2	WAL261157	WAL606496	WAL605835
<b>P-RSWV 42LR-WD</b>	<b>WAL607061</b>	<b>P-RSWV 42LR</b>	<b>WAL607013</b>	WAL605785	WAL607407	46 x 2	WAL605953	WAL606498	WAL605836
<b>P-RSWV 6SR-WD</b>	<b>WAL607062</b>	<b>P-RSWV 6SR</b>	<b>WAL607014</b>	WAL605765	WAL606519	11 x 2	WAL023492	WAL606482	WAL606740
<b>P-RSWV 8SR-WD</b>	<b>WAL607063</b>	<b>P-RSWV 8SR</b>	<b>WAL607015</b>	WAL605767	WAL606519	11 x 2	WAL023492	WAL606482	WAL606740
<b>P-RSWV 10SR-WD</b>	<b>WAL607064</b>	<b>P-RSWV 10SR</b>	<b>WAL607016</b>	WAL605769	WAL606523	14,5 x 2	WAL605949	WAL606485	WAL605827
<b>P-RSWV 12SR-WD</b>	<b>WAL607065</b>	<b>P-RSWV 12SR</b>	<b>WAL607017</b>	WAL605771	WAL606523	14,5 x 2	WAL605949	WAL606485	WAL605827
<b>P-RSWV 14SR-WD</b>	<b>WAL607066</b>	<b>P-RSWV 14SR</b>	<b>WAL607018</b>	WAL605774	WAL606527	19,5 x 2	WAL605951	WAL606488	WAL605831
<b>P-RSWV 16SR-WD</b>	<b>WAL607067</b>	<b>P-RSWV 16SR</b>	<b>WAL607019</b>	WAL605776	WAL606527	19,5 x 2	WAL605951	WAL606489	WAL606454
<b>P-RSWV 20SR-WD</b>	<b>WAL607068</b>	<b>P-RSWV 20SR</b>	<b>WAL607020</b>	WAL605778	WAL607401	26 x 1,5	WAL605952	WAL606492	WAL605833
<b>P-RSWV 25SR-WD</b>	<b>WAL607069</b>	<b>P-RSWV 25SR</b>	<b>WAL607021</b>	WAL605780	WAL607403	31 x 2	WAL250258	WAL606495	WAL605834
<b>P-RSWV 30SR-WD</b>	<b>WAL607070</b>	<b>P-RSWV 30SR</b>	<b>WAL607022</b>	WAL605782	WAL607405	40 x 2	WAL261157	WAL606496	WAL605835
<b>P-RSWV 38SR-WD</b>	<b>WAL607071</b>	<b>P-RSWV 38SR</b>	<b>WAL607023</b>	WAL605784	WAL607407	46 x 2	WAL605953	WAL606498	WAL605836

\* FPM (e. g. Viton) on request