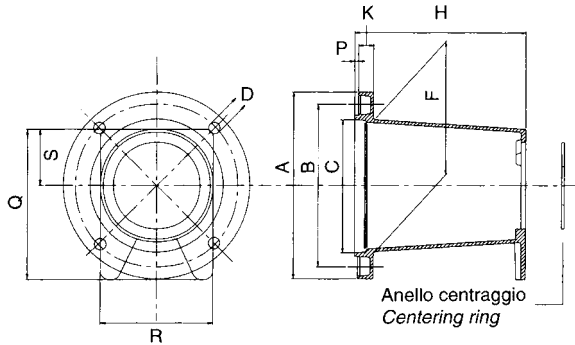


ACCOPIAMENTO POMPE AD INGRANAGGI CON FLANGIATURE RETTANGOLARI E MOTORI ENDOTERMICI

CONNECTIONS BETWEEN GEAR PUMPS WITH RECTANGULAR FLANGE AND ENDOTHERMIC ENGINES

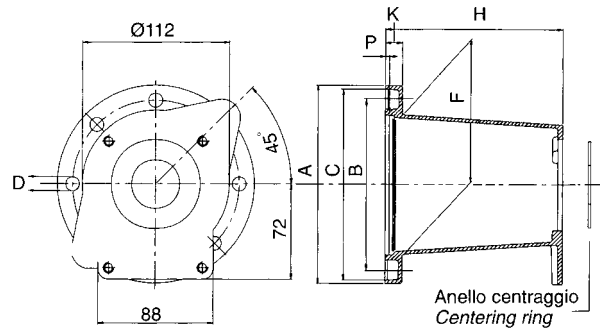
LANTERNA / BELLHOUSING

tipo / series **LMH**



LANTERNA / BELLHOUSING

tipo / series **LB**



Potenza motore Motor power		Albero Shaft	Rif. pompa Pump code	Lanterna Bellhousing	Dimensione lanterna (mm) Dimensions of bellhousing (mm)													Giunto completo serie ND Complete coupling ND series		Semigiunto Motore Halfcoupling motor side	Inserito elastico Rubber spider	Semigiunto pompa Halfcoupling pump side	Anello di centraggio Centering ring
kW	HP				Codice Part number	A	B	C	D	F	H	K	P	Q	R	S	Codice Part number	H	Codice Part number	Codice Part num.	I	Codice Part number	Codice P. number
2,2 4	3 5,5	Ø 18 ch. 5	U1P	LMH151	110	92	78,5	9	78	98	12	3	90	70	34	ND 500	87	NS 48CC16	R-42	16	ND 48PU1P	RC05-254	
			1C	LMH152	110	92	78,5	9	78	98	12	3	90	70	34	ND 501	87	NS 48CC16	R-42	16	ND 48P1C	RC05-30	
			1M	LMH152	110	92	78,5	9	78	98	12	3	90	70	34	ND 502	87	NS 48CC16	R-42	16	ND 48P1M	RC05-30	
		Ø 19,05 ch. 4,76	U1P	LMH151	110	92	78,5	9	78	98	12	3	90	70	34	ND 510	87	ND 48CC22	R-42	16	ND 48PU1P	RC05-254	
			1C	LMH152	110	92	78,5	9	78	98	12	3	90	70	34	ND 511	87	ND 48CC22	R-42	16	ND 48P1C	RC05-30	
			1M	LMH152	110	92	78,5	9	78	98	12	3	90	70	34	ND 512	87	ND 48CC22	R-42	16	ND 48P1M	RC05-30	
5 13,5	7 18	Ø 25 ch. 7	U1P	LMH401	146	127	110	9	110	134	12	3	118	91	43,5	ND 600	106	ND 65MC33	R-62	18	ND 65PU1P	RC1-254	
			1C	LMH402	146	127	110	9	110	134	12	3	118	91	43,5	ND 601	106	ND 65MC33	R-62	18	ND 65P1C	RC1-30	
			1M	LMH402	146	127	110	9	110	134	12	3	118	91	43,5	ND 602	106	ND 65MC33	R-62	18	ND 65P1M	RC1-30	
			2	LMH403	146	127	110	9	110	134	12	3	118	91	43,5	ND 603	106	ND 65MC33	R-62	18	ND 65P2	RC1-365	
			ZF	LMH404	146	127	110	9	110	134	12	3	118	91	43,5	ND 605	106	ND 65MC33	R-62	18	ND 65P2F	-	
			U1P	LMH401	146	127	110	9	110	134	12	3	118	91	43,5	ND 610	106	ND 65MC35	R-62	18	ND 65PU1P	RC1-254	
		Ø 25,4 ch. 6,35	1C	LMH402	146	127	110	9	110	134	12	3	118	91	43,5	ND 611	106	ND 65MC35	R-62	18	ND 65P1C	RC1-30	
			1M	LMH402	146	127	110	9	110	134	12	3	118	91	43,5	ND 612	106	ND 65MC35	R-62	18	ND 65P1M	RC1-30	
			2	LMH403	146	127	110	9	110	134	12	3	118	91	43,5	ND 613	106	ND 65MC35	R-62	18	ND 65P2	RC1-365	
			ZF	LMH404	146	127	110	9	110	134	12	3	118	91	43,5	ND 615	106	ND 65MC35	R-62	18	ND 65P2F	-	
			U1P	LB152-U1P	152	128	146	10,5	110	142	15	3,5	-	-	-	ND 600	106	ND 65MC33	R-62	18	ND 65PU1P	RC1-254	
			1C	LB152-1CM	152	128	146	10,5	110	142	15	3,5	-	-	-	ND 601	106	ND 65MC33	R-62	18	ND 65P1C	RC1-30	
		Ø 25,4 ch. 6,35	1M	LB152-1CM	152	128	146	10,5	110	142	15	3,5	-	-	-	ND 602	106	ND 65MC33	R-62	18	ND 65P1M	RC1-30	
			2	LB152-2	152	128	146	10,5	110	142	15	3,5	-	-	-	ND 603	106	ND 65MC33	R-62	18	ND 65P2	RC1-365	
			U1P	LB152-U1P	152	128	146	10,5	110	142	15	3,5	-	-	-	ND 610	106	ND 65MC35	R-62	18	ND 65PU1P	RC1-254	
			1C	LB152-1CM	152	128	146	10,5	110	142	15	3,5	-	-	-	ND 611	106	ND 65MC35	R-62	18	ND 65P1C	RC1-30	
			1M	LB152-1CM	152	128	146	10,5	110	142	15	3,5	-	-	-	ND 612	106	ND 65MC35	R-62	18	ND 65P1M	RC1-30	
			2	LB152-2	152	128	146	10,5	110	142	15	3,5	-	-	-	ND 613	106	ND 65MC35	R-62	18	ND 65P2	RC1-365	
		Ø 25 ch. 7	T250	LB152-T250	152	128	146	10,5	110	155	15	3,5	-	-	-	ND 606	106	ND 65MC33	R-62	18	ND 65Q3U	-	
			3U	LB152-3U	152	128	146	10,5	110	155	15	3,5	-	-	-	ND 606	106	ND 65MC33	R-62	18	ND 65Q3U	-	
			M3	LB152-M3	152	128	146	10,5	110	155	15	3,5	-	-	-	ND 606	106	ND 65MC33	R-62	18	ND 65Q3U	-	
			T250	LB152-T250	152	128	146	10,5	110	155	15	3,5	-	-	-	ND 616	116	ND 65MC35	R-62	18	ND 65Q3U	-	
			3U	LB152-3U	152	128	146	10,5	110	155	15	3,5	-	-	-	ND 616	116	ND 65MC35	R-62	18	ND 65Q3U	-	
			M3	LB152-M3	152	128	146	10,5	110	155	15	3,5	-	-	-	ND 616	116	ND 65MC35	R-62	18	ND 65Q3U	-	

Motore a scoppio HP 18 con diametro di centraggio flangia Ø 163,5 mm Internal combustion engines, 18 HP, with centering flange diameter Ø 163,5 mm

Potenza motore Motor power		Albero Shaft	Rif. pompa Pump code	Lanterna Bellhousing	Dimensione lanterna (mm) Dimensions of bellhousing (mm)													Giunto completo serie ND Complete coupling ND series		Semigiunto Motore Halfcoupling motor side	Inserito elastico Rubber spider	Semigiunto pompa Halfcoupling pump side	Anello di centraggio Centering ring
kW	HP				Codice Part number	A	B	C	D	F	G	H	P	Q	R	S	Codice Part number	H	Codice Part number	Codice Part num.	I	Codice Part number	Codice P. number
13,5	18	Ø 25 ch. 7	U1P	LB170-U1P	170	127	163,5	10,5	110	142	15	3,5	-	-	-	ND 600	106	ND 65MC33	R-62	18	ND 65PU1P	RC1-254	
			1C	LB170-1CM	170	127	163,5	10,5	110	142	15	3,5	-	-	-	ND 601	106	ND 65MC33	R-62	18	ND 65P1C	RC1-30	
			1M	LB170-1CM	170	127	163,5	10,5	110	142	15	3,5	-	-	-	ND 602	106	ND 65MC33	R-62	18	ND 65P1M	RC1-30	
			2	LB170-2	170	127	163,5	10,5	110	142	15	3,5	-	-	-	ND 603	106	ND 65MC33	R-62	18	ND 65P2	RC1-365	
			T250	LB170-T250	170	127	163,5	10,5	110	155	15	3,5	-	-	-	ND 606	116	ND 65MC33	R-62	18	ND 65Q3U	RC2-508	
			3U	LB170-3U	170	127	163,5	10,5	110	155	15	3,5	-	-	-	ND 606	116	ND 65MC33	R-62	18	ND 65Q3U	RC2-508	
		Ø 25,4 ch. 6,35	M3	LB170-M3	170	127	163,5	10,5	110	155	15	3,5	-	-	-	ND 606	116	ND 65MC33	R-62	18	ND 65Q3U	RC2-508	
			U1P	LB170-U1P	170	127	163,5	10,5	110	142	15	3,5	-	-	-	ND 610	106	ND 65MC35	R-62	18	ND 65PU1P	RC1-254	
			1C	LB170-1CM	170	127	163,5	10,5	110	142	15	3,5	-	-	-	ND 611	106	ND 65MC35	R-62	18	ND 65P1C	RC1-30	
			1M	LB170-1CM	170	127	163,5	10,5	110	142	15	3,5	-	-	-	ND 612	106	ND 65MC35	R-62	18	ND 65P1M	RC1-30	
			2	LB170-2	170	127	163,5	10,5	110	142	15	3,5	-	-	-	ND 613	106	ND 65MC35	R-62	18	ND 65P2	-	
			T250	LB170-T250	170	127	163,5	10,5	110	155	15	3,5	-	-	-	ND 616	116	ND 65MC35	R-62	18	ND 65Q3U	-	
		Ø 25,4 ch. 6,35	3U	LB170-3U	170	127	163,5	10,5	110	155	15	3,5	-	-	-	ND 616	116	ND 65MC35	R-62	18	ND 65Q3U	-	
			M3	LB170-M3	170	127	163,5	10,5	110	155	15	3,5	-	-	-	ND 616	116	ND 65MC35	R-62	18	ND 65Q3U	-	

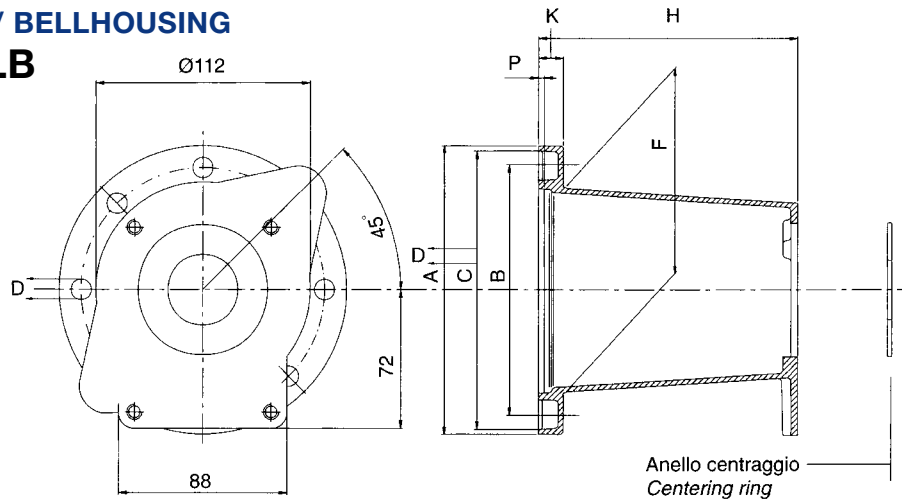
ACCOPIAMENTO POMPE AD INGRANAGGI CON FLANGIATURE SAE E MOTORI ENDOTERMICI

01

CONNECTIONS BETWEEN GEAR PUMPS WITH SAE FLANGE AND ENDOTHERMIC ENGINES

LANTERNA / BELLHOUSING

tipo / series **LB**



Potenza motore Motor power		Albero Shaft	Rif. pompa Pump code	Lanterna Bellhousing	Dimensione lanterna (mm) Dimensions of bellhousing (mm)								Giunto completo serie ND Complete coupling ND series		Semigiunto Motore Halfcoupling motor side		Inserito elastico Rubber spider		Semigiunto pompa Halfcoupling pump side	
kW	HP				Codice Part number	A	B	C	D	F	H	K	P	Codice Part number	H	Codice Part number	Codice Part num.	I	Codice Part number	
5 13,5	7 18	Ø 25 ch. 7	SAE A	LB152-825A	152	128	146	10,5	110	142	15	3,5	ND 700	124,5	ND 65MC33	R-62	18	ND 65H4D22		
			SAE B	LB152-101A	152	128	146	10,5	110	142	15	3,5	ND 701	124,5	ND 65MC33	R-62	18	ND 65H4D99		
			ISO 80-2	LB152-80E	152	128	146	10,5	110	142	15	3,5	ND 702	124,5	ND 65MC33	R-62	18	ND 65H4D24		
			ISO 100-2	LB152-100E	152	128	146	10,5	110	142	15	3,5	ND 703	124,5	ND 65MC33	R-62	18	ND 65H4D34		
		Ø 25,4 ch. 6,35	SAE A	LB152-825A	152	128	146	10,5	110	142	15	3,5	ND 710	124,5	ND 65MC35	R-62	18	ND 65H4D22		
			SAE B	LB152-101A	152	128	146	10,5	110	142	15	3,5	ND 711	124,5	ND 65MC35	R-62	18	ND 65H4D99		
			ISO 80-2	LB152-80E	152	128	146	10,5	110	142	15	3,5	ND 712	124,5	ND 65MC35	R-62	18	ND 65H4D24		
			ISO 100-2	LB152-100E	152	128	146	10,5	110	142	15	3,5	ND 713	124,5	ND 65MC35	R-62	18	ND 65H4D34		

Motore a scoppio HP 8 con albero speciale Internal combustion engines, 8 HP, with special shaft

Potenza motore Motor power		Albero Shaft	Rif. pompa Pump code	Lanterna Bellhousing	Dimensione lanterna (mm) Dimensions of bellhousing (mm)								Giunto completo serie ND Complete coupling ND series		Semigiunto Motore Halfcoupling motor side		Inserito elastico Rubber spider		Semigiunto pompa Halfcoupling pump side	
kW	HP				Codice Part number	A	B	C	D	F	H	K	P	Codice Part number	H	Codice Part number	Codice Part num.	I	Codice Part number	
5,75	8	Ø 25,4 ch. 6,35	SAE A	LB152-825A	152	128	146	10,5	110	142	15	3,5	ND 720	114,5	ND 65MC35	R-62	18	ND 65H8D22		
			SAE B	LB152-101A	152	128	146	10,5	110	142	15	3,5	ND 721	114,5	ND 65MC35	R-62	18	ND 65H8D99		
			ISO 80-2	LB152-80E	152	128	146	10,5	110	142	15	3,5	ND 722	114,5	ND 65MC35	R-62	18	ND 65H8D24		

Motore a scoppio HP18 con diametro di centraggio flangia Ø 163,5 mm Internal combustion engines, 18 HP, with centering flange diameter Ø 163,5 mm

Potenza motore Motor power		Albero Shaft	Rif. pompa Pump code	Lanterna Bellhousing	Dimensione lanterna (mm) Dimensions of bellhousing (mm)								Giunto completo serie ND Complete coupling ND series		Semigiunto Motore Halfcoupling motor side		Inserito elastico Rubber spider		Semigiunto pompa Halfcoupling pump side	
kW	HP				Codice Part number	A	B	C	D	F	H	K	P	Codice Part number	H	Codice Part number	Codice Part num.	I	Codice Part number	
13,5	18	Ø 25 ch. 7	SAE A	LB170-825A	170	127	163,5	10,5	110	142	15	3,5	ND 700	124,5	ND 65MC33	R-62	18	ND 65H4D22		
			SAE B	LB170-101A	170	127	163,5	10,5	110	142	15	3,5	ND 701	124,5	ND 65MC33	R-62	18	ND 65H4D99		
			ISO 80-2	LB170-80E	170	127	163,5	10,5	110	142	15	3,5	ND 702	124,5	ND 65MC33	R-62	18	ND 65H4D24		
			ISO 100-2	LB170-100E	170	127	163,5	10,5	110	142	15	3,5	ND 703	124,5	ND 65MC33	R-62	18	ND 65H4D34		
		Ø 25,4 ch. 6,35	SAE A	LB170-825A	170	127	163,5	10,5	110	142	15	3,5	ND 710	124,5	ND 65MC35	R-62	18	ND 65H4D22		
			SAE B	LB170-101A	170	127	163,5	10,5	110	142	15	3,5	ND 711	124,5	ND 65MC35	R-62	18	ND 65H4D99		
			ISO 80-2	LB170-80E	170	127	163,5	10,5	110	142	15	3,5	ND 712	124,5	ND 65MC35	R-62	18	ND 65H4D24		
			ISO 100-2	LB170-100E	170	127	163,5	10,5	110	142	15	3,5	ND 713	124,5	ND 65MC35	R-62	18	ND 65H4D34		