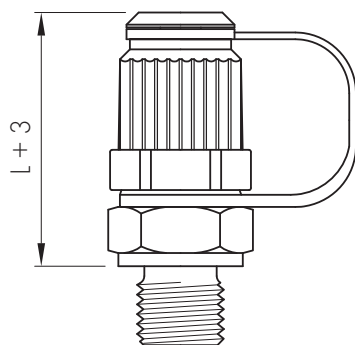


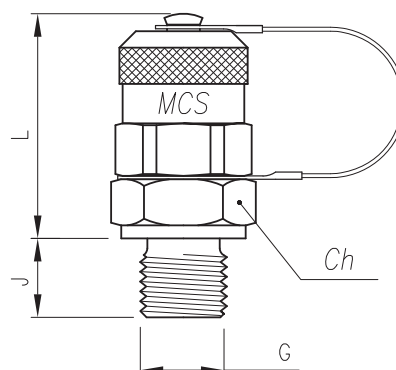
MINIPRESA DI PRESSIONE AVVITABILE A PISTONCINO – SERIE 621.01

Minipresa con cappuccio di plastica
Test point with plastic cap



POPPET VALVE THREADED TEST POINT – SERIES 621.01

Minipresa con cappuccio di metallo con filo e O-ring
antivibrante
Test point with metal wired cap and anti-vibration O-ring



Filettatura Thread G	Tipo di tenuta Sealing type	p max.	Quote mm Dimensions mm			Con cappuccio di plastica With plastic cap	Con cappuccio di metallo e O-ring With metal cap and O-ring
			L	Ch.	J±0.2		
G 1/4"	FORM A	400 bar	35	19	12	620.01.204.50*	620.01.204.56*
G 1/8"	FORM B	400 bar	35	17	8	620.01.202.10*	620.01.202.16*
G 1/4"	FORM B	400 bar	35	19	12	620.01.204.10*	620.01.204.16*
R 1/8"	FORM C	400 bar	33	17	8	621.01.202.30	621.01.202.36
R 1/4"	FORM C	630 bar	33	17	12	621.01.204.30	621.01.204.36
R 3/8"	FORM C	630 bar	33	22	12	620.01.206.30*	620.01.206.36*
1/8"-27 NPTF	FORM C	400 bar	33	17	9.5	621.01.302.30	621.01.302.36
1/4"-18 NPTF	FORM C	630 bar	33	17	14	621.01.304.30	621.01.304.36
3/8"-18 NPTF	FORM C	630 bar	33	22	14.2	620.01.306.30*	620.01.206.36*
M 10 x 1	FORM E	400 bar	35	17	8	621.01.010.20	621.01.010.26
M 12 x 1.5	FORM E	630 bar	35	17	12	621.01.012.20	621.01.012.26
M 14 x 1.5	FORM E	630 bar	35	19	12	621.01.014.20	621.01.014.26
M 16 x 1.5	FORM E	630 bar	35	22	12	620.01.016.20*	620.01.016.26*
G 1/8"	FORM E	400 bar	35	17	8	621.01.202.20	621.01.202.26
G 1/4"	FORM E	630 bar	35	19	12	621.01.204.20	621.01.204.26
G 3/8"	FORM E	630 bar	35	22	12	621.01.206.20	621.01.206.26
G 1/2"	FORM E	630 bar	46	27	14	621.01.208.20**	621.01.208.26**
M 8 x 1	FORM F	250 bar	35	17	8.5	621.01.008.00	621.01.008.06
M 10 x 1	FORM F	630 bar	34	17	9.5	621.01.010.00	621.01.010.06
M 10 x 1.25	FORM F	400 bar	35	17	10	620.01.010.00S*	620.01.010.06S*
M 14 x 1.5	FORM F	630 bar	35	19	11	621.01.014.00	621.01.014.06
7/16"-20 UNF	FORM F	630 bar	35	17	11	621.01.404.00	621.01.404.06
1/2"-20 UNF	FORM F	630 bar	35	17	11	621.01.405.00	621.01.405.06
9/16"-18 UNF	FORM F	630 bar	35	19	12	621.01.406.00	621.01.406.06
3/4"-16 UNF	FORM F	630 bar	35	22	14	620.01.408.00*	620.01.408.06*
JIS 2351 G1/4"	FORM F	630 bar	35	19	12	621.01.204.00	621.01.204.06
G 1/4"	BS 5200	630 bar	35	19	12	620.01.204.80*	620.01.204.86*

*fino a esaurimento scorte, poi fuori produzione

**con adattatore

*while stocks last, then out of production

**with adaptor