

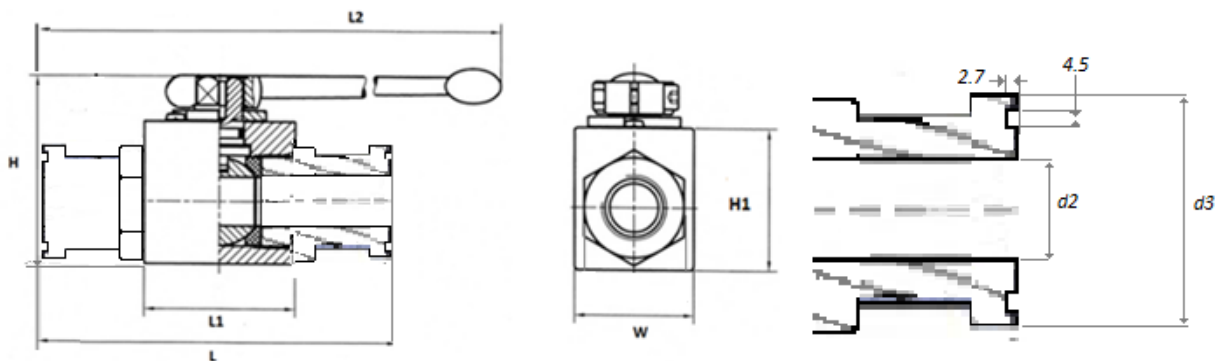


High Pressure Ball Valves

KHBF3/6-Series Steel Ball Valves (PN 420 bar)

Specification:

Body:	Carbon Steel	
Ball:	Steel	
Handel:	Zinc Alloy	
O-rings:	NBR	
Ball Seal:	Delrin (POM)	
Surface Treatment:	Cr3	
Temperature Range:	Body	-20°C to 120°C
	NBR Seal	-20° to 120°C



Part Code	DN (mm)	PN	L (mm)	L1 (mm)	L2 (mm)	W (mm)	H (mm)	H1 (mm)	d2 (mm)	d3 (mm)
KHBF3-1/2	13	210 bar	151	48	193	36	85	40	13	30.2
KHBF3-3/4	20	210 bar	162	62	252	49	119	57	20	38.1
KHBF3-1	25	210 bar	178	66	260	58	128	65	25	44.4
KHBF3-1.1/4	32	210 bar	191	80	321	84	165	86	32	50.8
KHBF3-1.1/2	40	210 bar	231	85	342	84	175	103	40	60.3
KHBF3-2	50	210 bar	232	100	440	104	185	117	50	71.4

Part Code	DN (mm)	PN	L (mm)	L1 (mm)	L2 (mm)	W (mm)	H (mm)	H1 (mm)	d2 (mm)	d3 (mm)
KHBF6-1/2	13	420 bar	151	48	193	36	85	40	13	30.2
KHBF6-3/4	20	420 bar	174	62	260	49	119	57	20	41.3
KHBF6-1	25	420 bar	198	66	280	58	128	65	25	47.6
KHBF6-1.1/4	32	420 bar	223	80	337	84	165	86	32	60
KHBF6-1.1/2	40	420 bar	281	85	367	100	170	103	40	65
KHBF6-2	50	420 bar	316	100	482	118	185	117	50	85