

KM SERIES
Gap type filters

SUMMARY

• General Introduction	I 01
• Made in Filtrac	I 02
• Gap-type filter designs	I 03
• User tips	I 04
KMGP - PLATE GAP-TYPE FILTERS	P 00
Technical data sheets	P 01 to P 10
KMGT - TUBE GAP-TYPE FILTERS	T 00
Technical data sheets	T 01 to T 07
KMGW - WIRE GAP-TYPE FILTERS	W 00
Technical data sheets	W 01 to W 04
SPECIAL EXECUTIONS (not gap-type)	S 00
KMS - STRAINER DISK FILTERS	S 01 to S 02
KMX – PLEATED ELEMENT FILTERS	S 03 to S 04

GAP-TYPE FILTERS

Proven a thousand times over and a real classic

Plate gap, tube gap and wire gap-type filters are designed for filtration of heavily contaminated high and low viscous fluids such as fuel, lube oils, paints, polyol, isocyanate, cooling lubricants, etc.

They can be used in all industrial fields, e.g.:

- Steam engines and hydromotors
- Pumps
- Hydraulic systems
- Machine tools
- Gearboxes
- Medium to large-sized combustion engines
- Food industry
- Cleaning of water and liquids for chemical processes, etc.

Gap-type filters can be used for full and partial flow.

Fluid direction through the filter insert is from the outside to the inside.

Filter fineness is defined by the gap width.

Filter housings are made of steel, cast iron, aluminium and on request other materials.

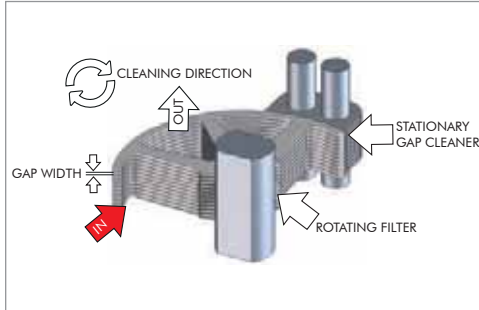
MADE IN FILTREC

Behind the manufacturing of the gap-type filters, with their robust construction and unrivalled features, there are decades of experience.

Within FILTREC a skilled department takes care of each production step of the filter inserts, of the housings and of the complete assemblies.



GAP-TYPE FILTER DESIGN



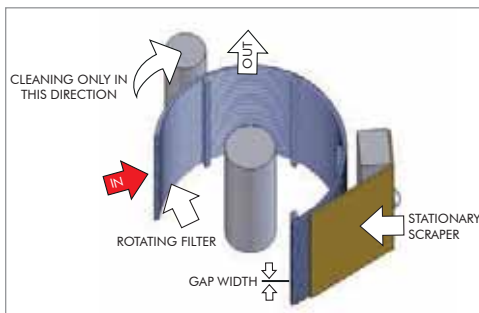
KMGP - Plate gap-type filters (gap widths ≥ 0.1 mm)

Highly viscous liquids

The plate gap-type filter insert consists of ring-shaped steel discs piled up on a central pin. The gap width between the discs is determined by calibrated spacers.

A stationary gap cleaner runs through each gap. As the liquid flows between the discs, dirt particles in the liquid are deposited on the insert surface. When turning the handle of the filter insert the dirt particles gather on the row of gap cleaners and sink to the sludge collection chamber.

The sludge is then discharged by opening a ball valve, installed by the customer according to the specific need.



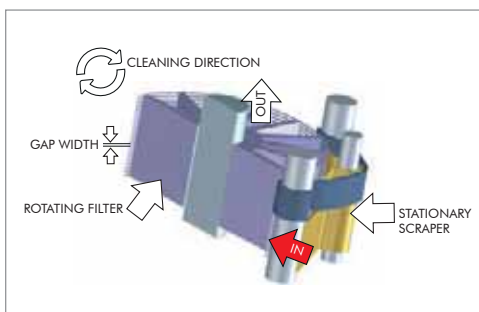
KMGT - Tube gap-type filters (gap widths ≥ 0.05 mm)

Watery and/or aggressive liquids

The tube gap-type filter insert consists of a wire wound around longitudinal rods, welded together at every crossing point.

The longitudinal rods and wire are made of nonrusting, high tensile steel. The exact position of the steel wire on the longitudinal rods ensures equal gaps. As the liquid flows through the filter insert the dirt particles are deposited on its surface. When turning the handle of the filter insert the dirt particles gather on the row of gap cleaners and sink to the sludge collection chamber.

The sludge is then discharged by opening a ball valve, installed by the customer according to the specific need.



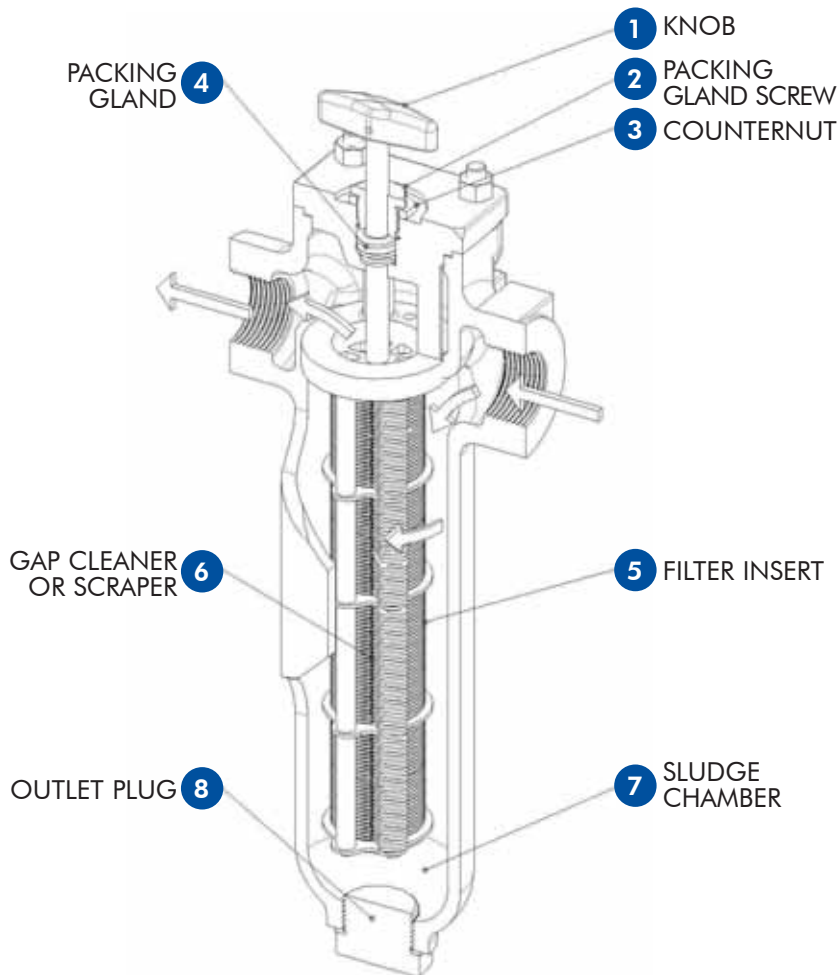
KMGW - Wire gap-type filters (gap widths ≥ 0.03 mm)

Fuels and lubricants

The wire gap-type insert consists of a non-rusting, high tensile steel wire spiral wound around an aluminium frame. Equal gaps are guaranteed by the exact position of the steel wire on the frame. As the liquid flows through the insert dirt particles are deposited on the insert surface. When turning the handle of the filter insert the dirt particles gather on the row of gap cleaners and sink to the sludge collection chamber.

The sludge is then discharged by opening a ball valve, installed by the customer according to the specific need.

USER TIPS



To service the filter insert (5) turn it by using the knob (1) one or two times.

The gap cleaner or scraper (6) removes the contaminant that drop down into the housing's sludge chamber (7).

Contaminant can be then discharge by unscrewing the plug (8).

Cleaning is most effective when service is done immediately after the end of operation, so that the scraped contaminant drops down easily into the housing's sludge chamber.

If leaks occur from packing gland (4), loose its counternut (3) and gently tighten the packing gland screw (2).

Take care that the knob can rotate easily as too much tightening can damage the packing gland.

After that tighten again the counternut.

Should the filter insert be heavily contaminated, remove it, immerse in detergent and wash out.

If the knob does not rotate, never use excessive force to turn it.

Damaged filter inserts or those no longer possible to turn must be replaced.



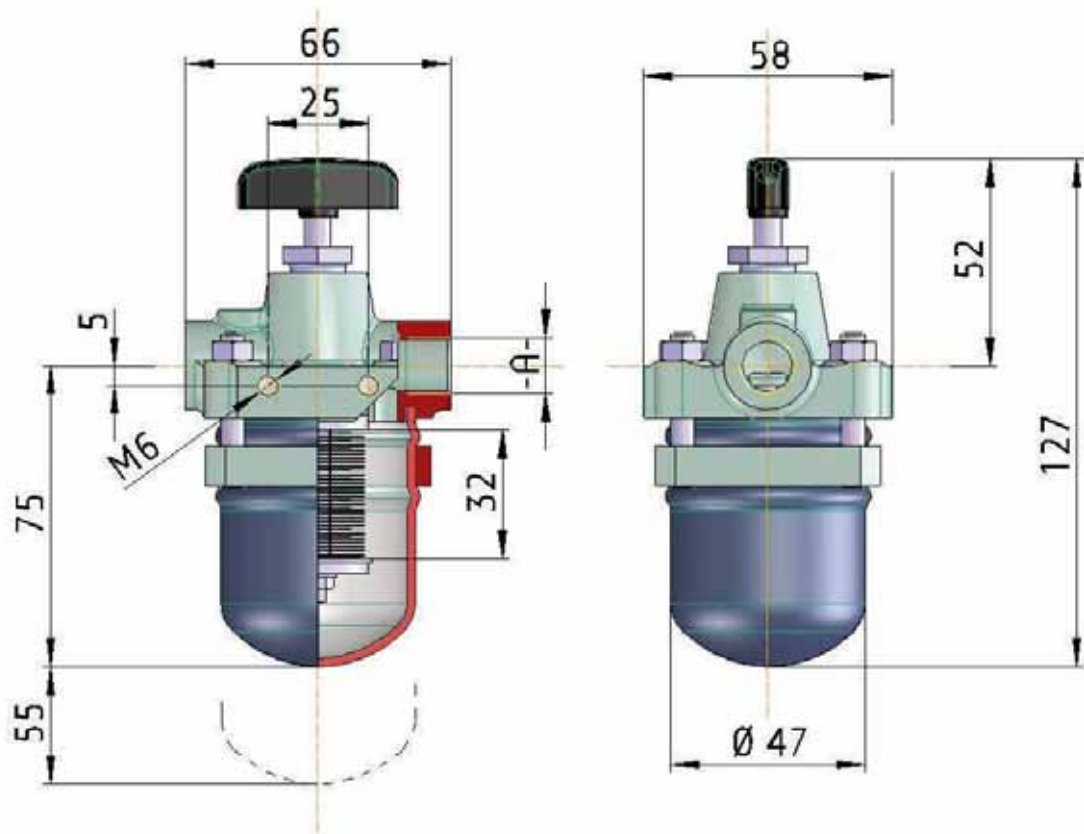
KMGP - PLATE GAP-TYPE FILTERS

Highly viscous liquids

PRELIMINARY SEARCH AND SELECTION TABLE

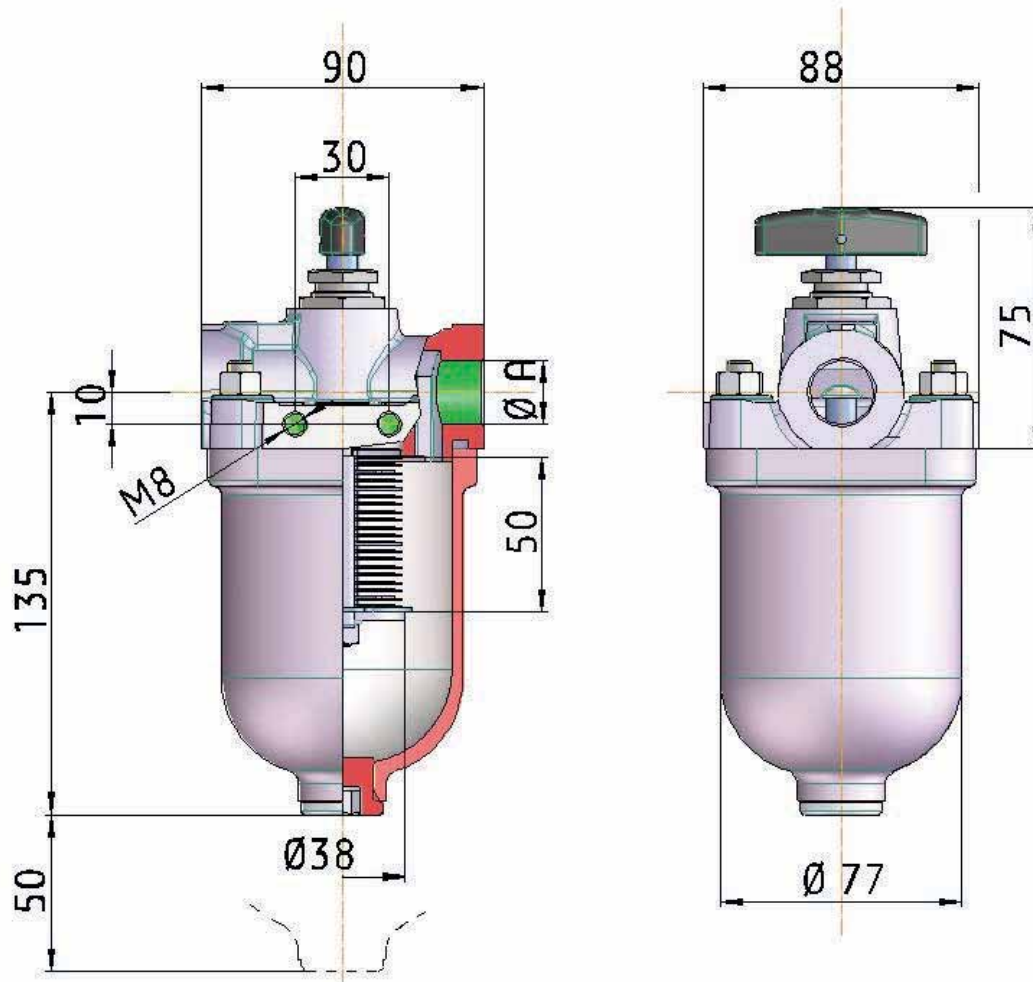
go to the respective page for detailed info

Model	Gap width (μm)	Nominal flow rate (l/h) *	Max. operating pressure (bar)	Port size	Page
KMGP00014	50	2600	50	G 1/2	P 03
KMGP00004	100	510	10	M14x1,5	P 01
KMGP00015	100	2600	10	M22x1,5	P 03
KMGP00027	100	2600	10	G 1	P 05
KMGP00017	100	3000	10	G 1	P 06
KMGP00021	100	30000	15	DN65 PN16	P 10
KMGP00002	100	1400	40	M22x1,5	P 02
KMGP00031	100	2600	40	G 1	P 04
KMGP00023	100	12000	40	\varnothing 50	P 07
KMGP00005	100	12000	40	\varnothing 50	P 07
KMGP00029	100	15000	40	DN50 PN16	P 08
KMGP00016	100	1400	50	G 1/2	P 02
KMGP00026	100	1400	50	G 3/4	P 02
KMGP00010	100	2600	50	G 3/4	P 03
KMGP00001	100	2600	50	M22x1,5	P 03
KMGP00003	200	5000	10	G 1	P 05
KMGP00019	200	5000	10	G 1	P 06
KMGP00022	200	20000	15	DN65 PN16	P 09
KMGP00007	200	45000	15	DN65 PN16	P 10
KMGP00012	200	2600	40	G 1	P 04
KMGP00018	200	15000	40	\varnothing 50	P 07
KMGP00035	200	15000	40	\varnothing 50	P 07
KMGP00011	200	15000	40	DN50 PN16	P 08
KMGP00024	200	3500	50	G 1/2	P 03
KMGP00013	200	4500	50	G 3/4	P 03
KMGP00034	200	4500	50	M22x1,5	P 03
KMGP00006	400	5000	10	G 1	P 05
KMGP00009	400	5000	40	G 1	P 04
KMGP00028	400	15000	40	\varnothing 50	P 07
KMGP00008	800	5000	40	G 1	P 04
KMGP00033	800	15000	40	\varnothing 50	P 07



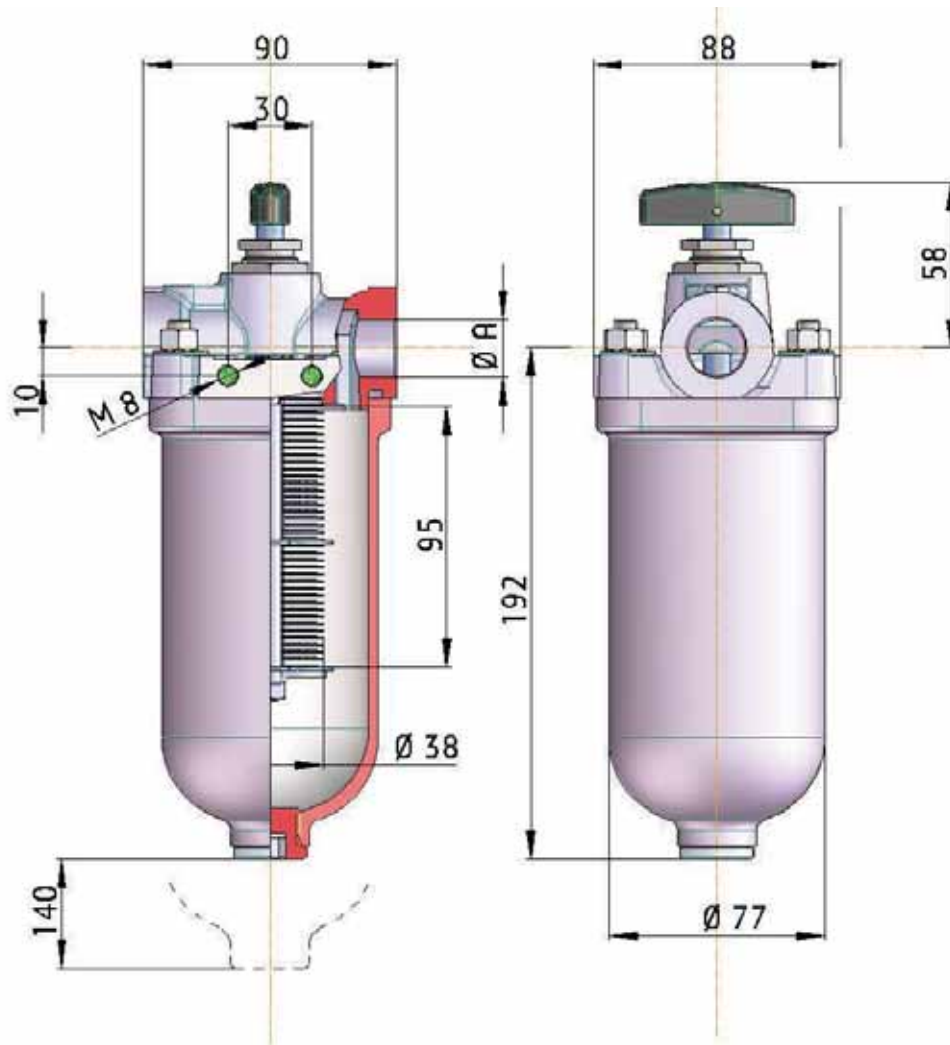
Filtrec filter assembly	Filter insert	Gap width (µm)	Nominal flow rate (l/h) *	Max. operating pressure (bar)	Max. operating temp. (°C)	Port size -A-	Material head	Material Housing	Media pack material	Volume (l)	Weight approx. (kg)	External treatment
KMGP00004	25.001.00054	100	510	10	120	M14x1,5	grey cast Iron	steel	steel	0,1	0,9	painted RAL 7011

*Max flow rates apply to liquids with a viscosity of 72 (cSt) with Dp of 0,2 to 0,4 bar.



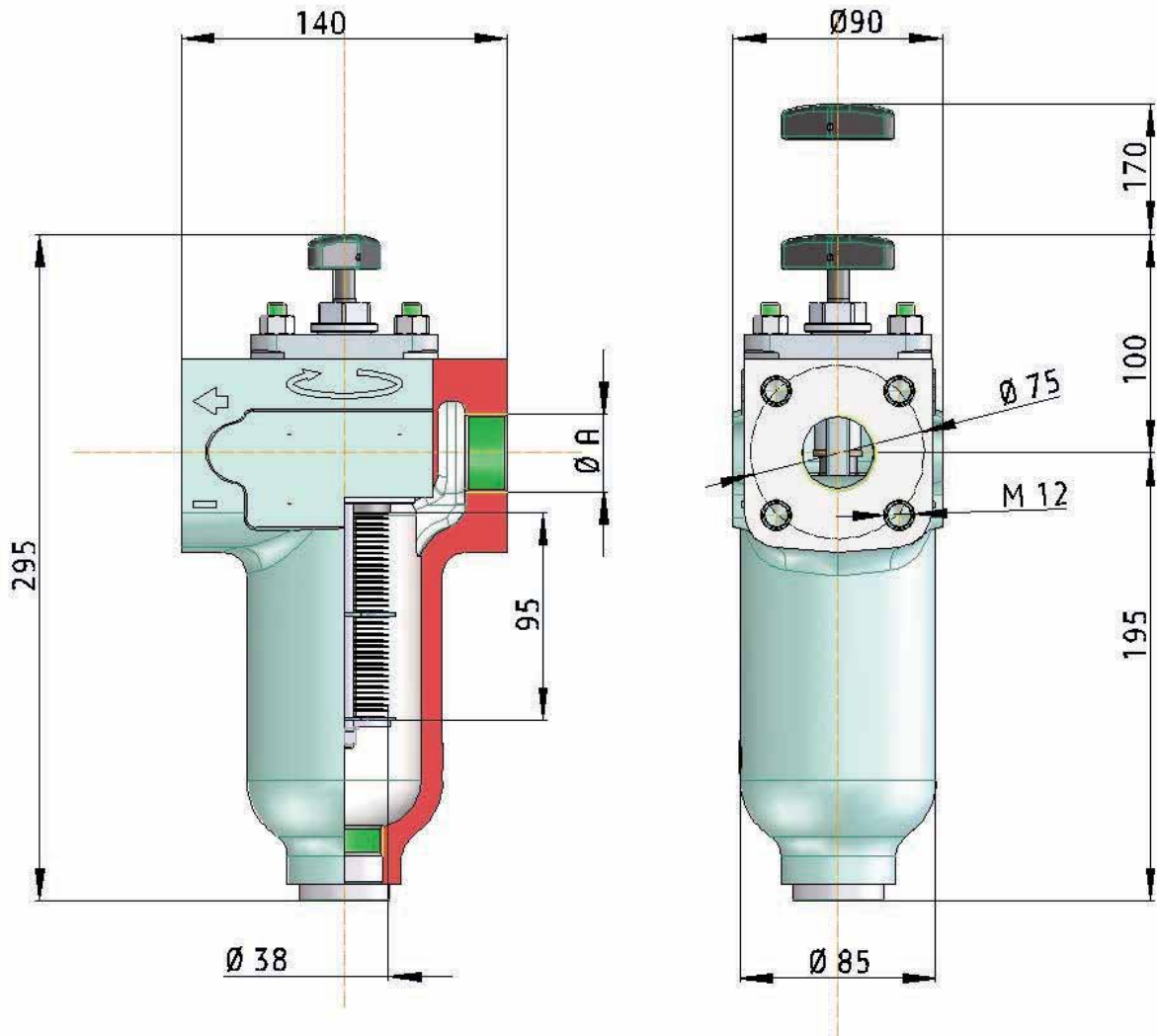
Filtrec filter assembly	Filter insert	Gap width (µm)	Nominal flow rate (l/h) *	Max. operating pressure (bar)	Max. operating temp. (°C)	Port size -A-	Material head	Material Housing	Media pack material	Volume (l)	Weight approx. (kg)	External treatment
KMGP00002	25.001.00002	100	1400	40	120	M22x1.5	gray cast iron	steel	steel	0,3	2,4	painted RAL 7011
KMGP00016	25.001.00028	100	1400	50	120	G 1/2	gray cast iron	steel	steel	0,3	2,4	painted RAL 7011
KMGP00026	25.001.00055	100	1400	50	120	G 3/4	gray cast iron	steel	stainless steel	0,3	2,4	painted RAL 7011

*Max flow rates apply to liquids with a viscosity of 72 (cSt) with Dp of 0,2 to 0,4 bar.



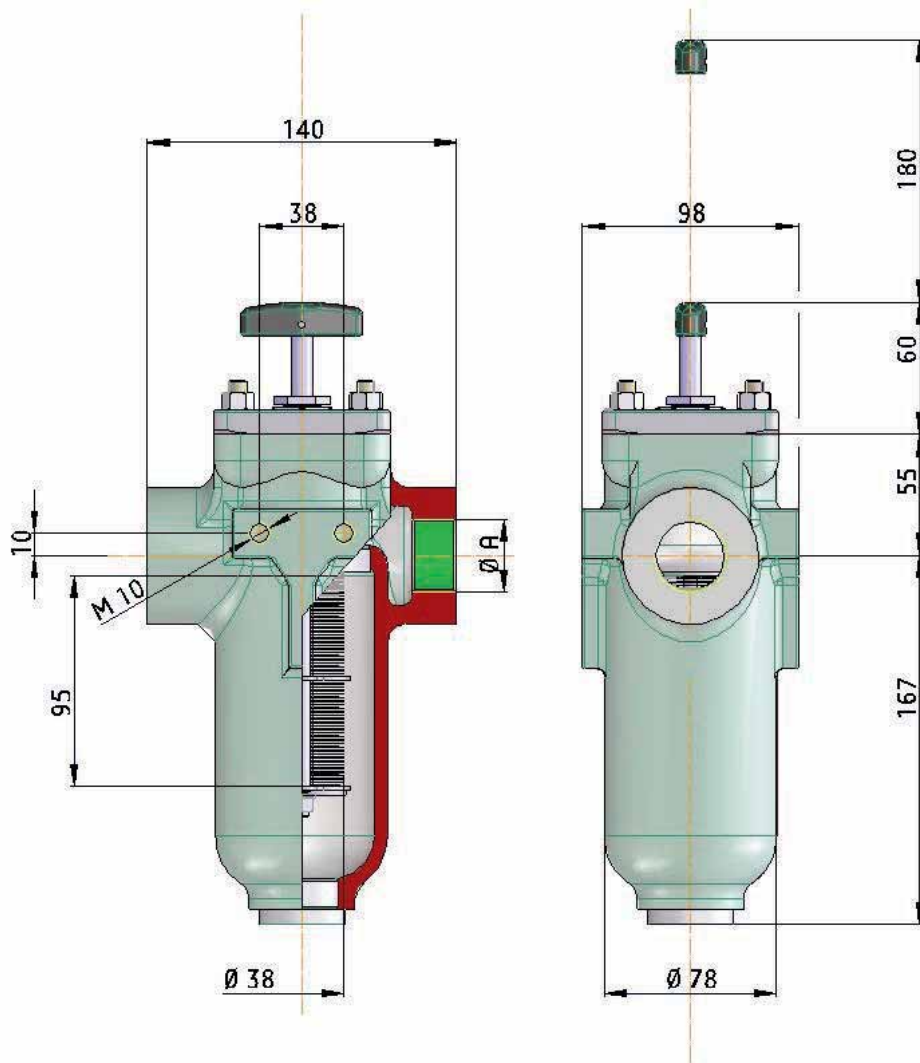
Filtrec filter assembly	Filter insert	Gap width (µm)	Nominal flow rate (l/h) *	Max. operating pressure (bar)	Max. operating temp. (°C)	Port size -A-	Material head	Material Housing	Media pack material	Volume (l)	Weight approx. (kg)	External treatment
KMGP00014	25.001.00027	100	2600	50	120	G 1/2	gray cast iron	steel	steel	0,5	2,8	painted RAL 7011
KMGP00024	25.001.00056	200	3500	50	120	G 1/2	gray cast iron	steel	steel	0,5	2,8	painted RAL 7011
KMGP00010	25.001.00018	100	2600	50	120	G 3/4	gray cast iron	steel	steel	0,5	2,8	painted RAL 7011
KMGP00013	25.001.00011	200	4500	50	120	G 3/4	gray cast iron	steel	stainless steel	0,5	2,8	painted RAL 7011
KMGP00001	25.001.00001	100	2600	50	120	M22x1,5	gray cast iron	steel	steel	0,5	2,8	painted RAL 7011
KMGP00015	25.001.00030	100	2600	10	120	M22x1,5	gray cast iron	steel	stainless steel	0,5	2,8	Not painted
KMGP00034	25.001.00053	200	4500	50	120	M22x1,5	gray cast iron	steel	steel	0,5	2,8	painted RAL 7011

*Max flow rates apply to liquids with a viscosity of 72 (cSt) with Dp of 0,2 to 0,4 bar.



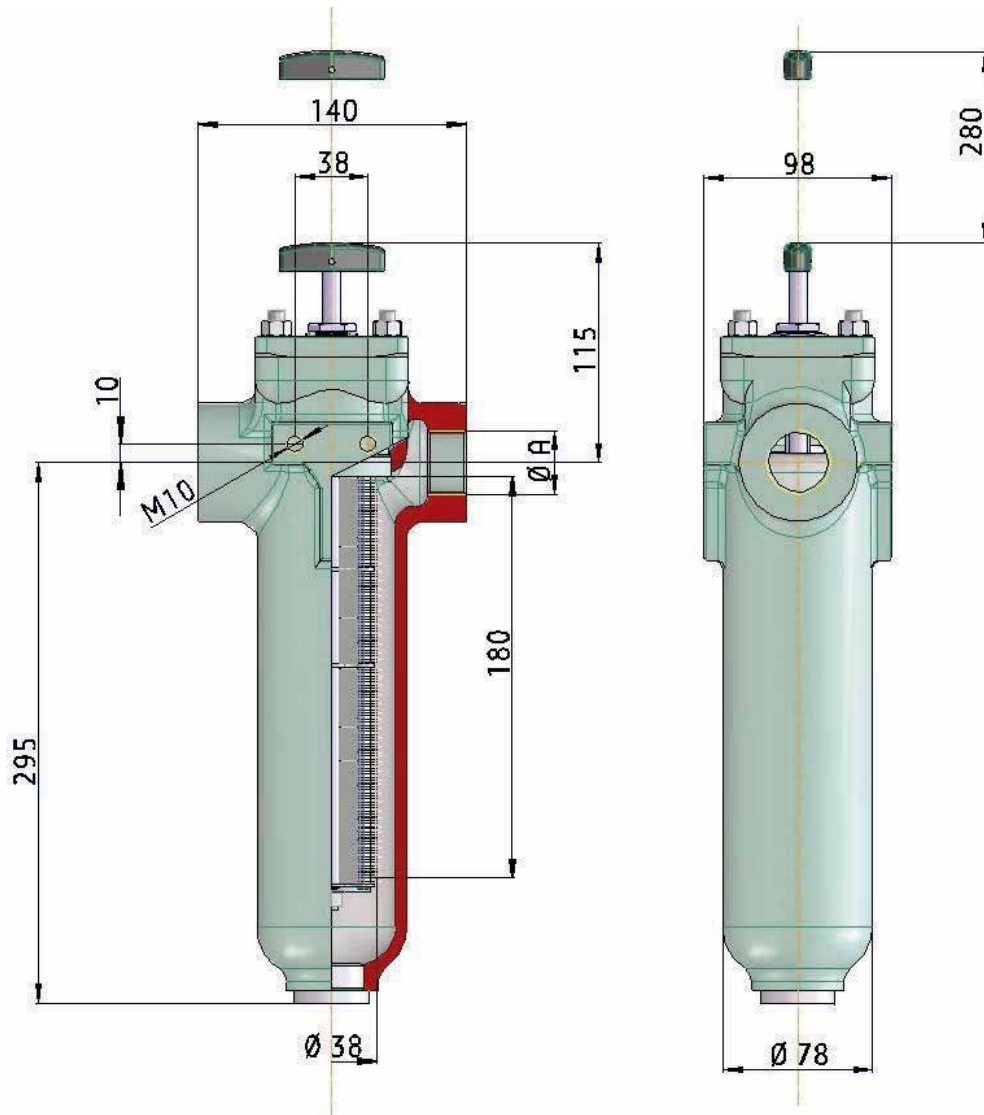
Filtrec filter assembly	Filter insert	Gap width (µm)	Nominal flow rate (l/h) *	Max. operating pressure (bar)	Max. operating temp. (°C)	Port size -A-	Material head	Material Housing	Media pack material	Volume (l)	Weight approx. (kg)	External treatment
KMGP00031	25.001.00032	100	2600	40	120	G 1	aluminium	aluminium	stainless steel	0,5	5,8	not painted
KMGP00012	25.001.00005	200	2600	40	120	G 1	aluminium	aluminium	stainless steel	0,5	5,8	not painted
KMGP00009	25.001.00017	400	5000	40	120	G 1	aluminium	aluminium	stainless steel	0,5	5,8	not painted
KMGP00008	25.001.00003	800	5000	40	120	G 1	aluminium	aluminium	stainless steel	0,5	5,8	not painted

*Max flow rates apply to liquids with a viscosity of 72 (cSt) with Dp of 0,2 to 0,4 bar.



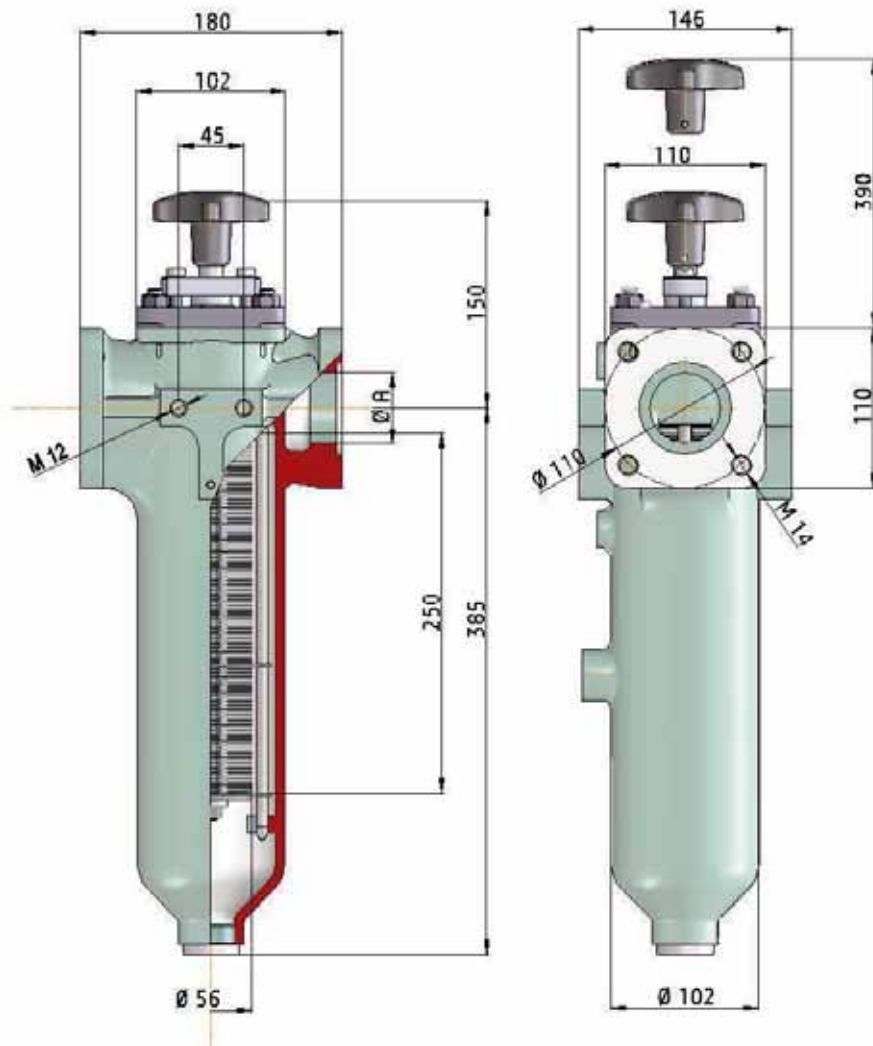
Filtrec filter assembly	Filter insert	Gap width (μm)	Nominal flow rate (l/h) *	Max. operating pressure (bar)	Max. operating temp. ($^{\circ}\text{C}$)	Port size -A-	Material head	Material Housing	Media pack material	Volume (l)	Weight approx. (kg)	External treatment
KMGP00027	25.001.00036	100	2600	10	120	G 1	gray cast iron	gray cast iron	steel	0,5	6,2	painted RAL 7011
KMGP00003	25.001.00012	200	5000	10	120	G 1	gray cast iron	gray cast iron	steel	0,5	6,2	painted RAL 7011
KMGP00006	25.001.00006	400	5000	10	120	G 1	gray cast iron	gray cast iron	steel	0,5	6,2	painted RAL 7011

*Max flow rates apply to liquids with a viscosity of 72 (cSt) with Dp of 0,2 to 0,4 bar.



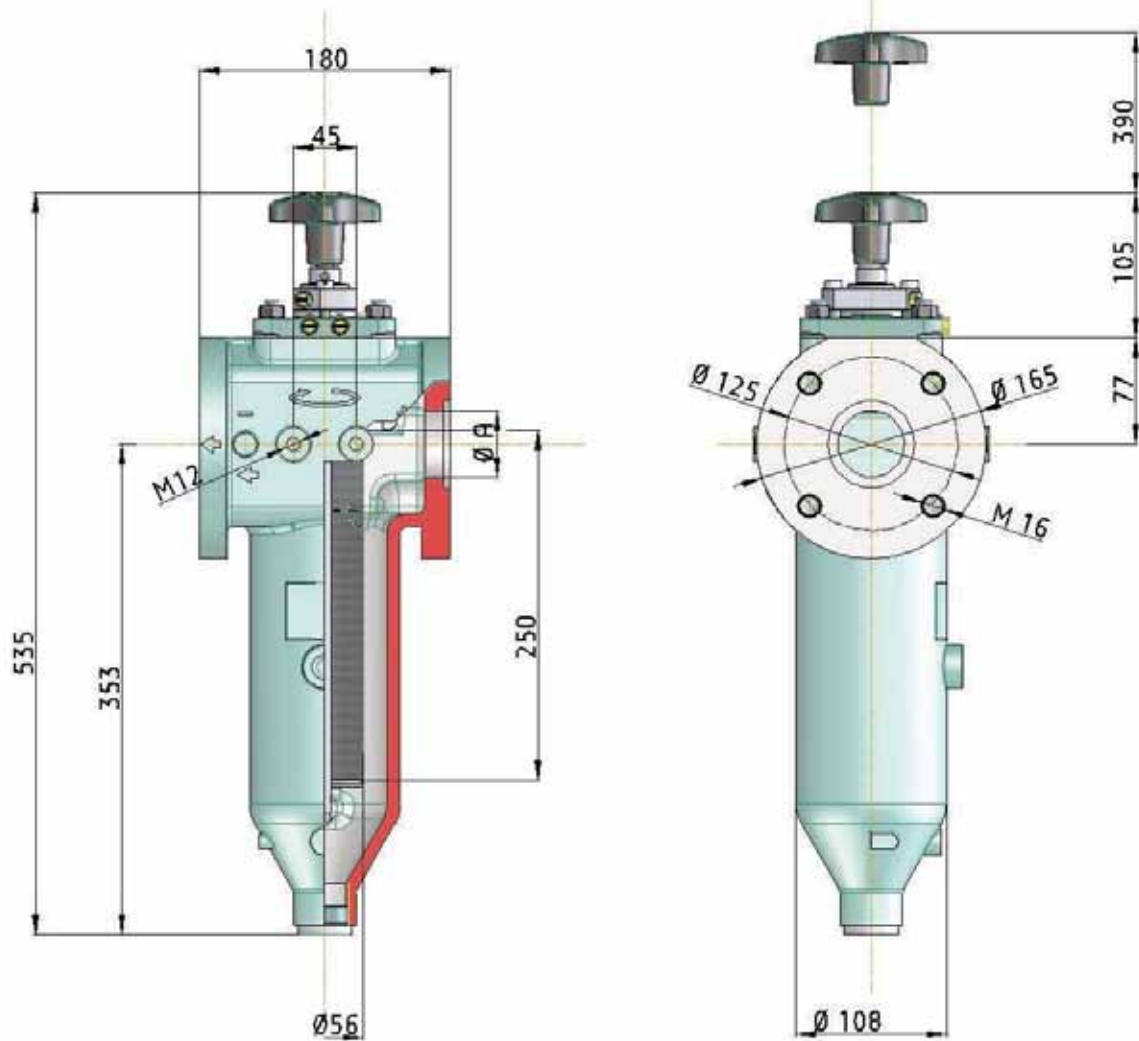
Filtrec filter assembly	Filter insert	Gap width (µm)	Nominal flow rate (l/h) *	Max. operating pressure (bar)	Max. operating temp. (°C)	Port size -A-	Material head	Material Housing	Media pack material	Volume (l)	Weight approx. (kg)	External treatment
KMGP00017	25.001.00024	100	3000	10	120	G 1	gray cast iron	gray cast iron	steel	1	8	painted RAL 7011
KMGP00019	25.001.00037	200	5000	10	120	G 1	gray cast iron	gray cast iron	steel	1	8	painted RAL 7011

*Max flow rates apply to liquids with a viscosity of 72 (cSt) with Dp of 0,2 to 0,4 bar.



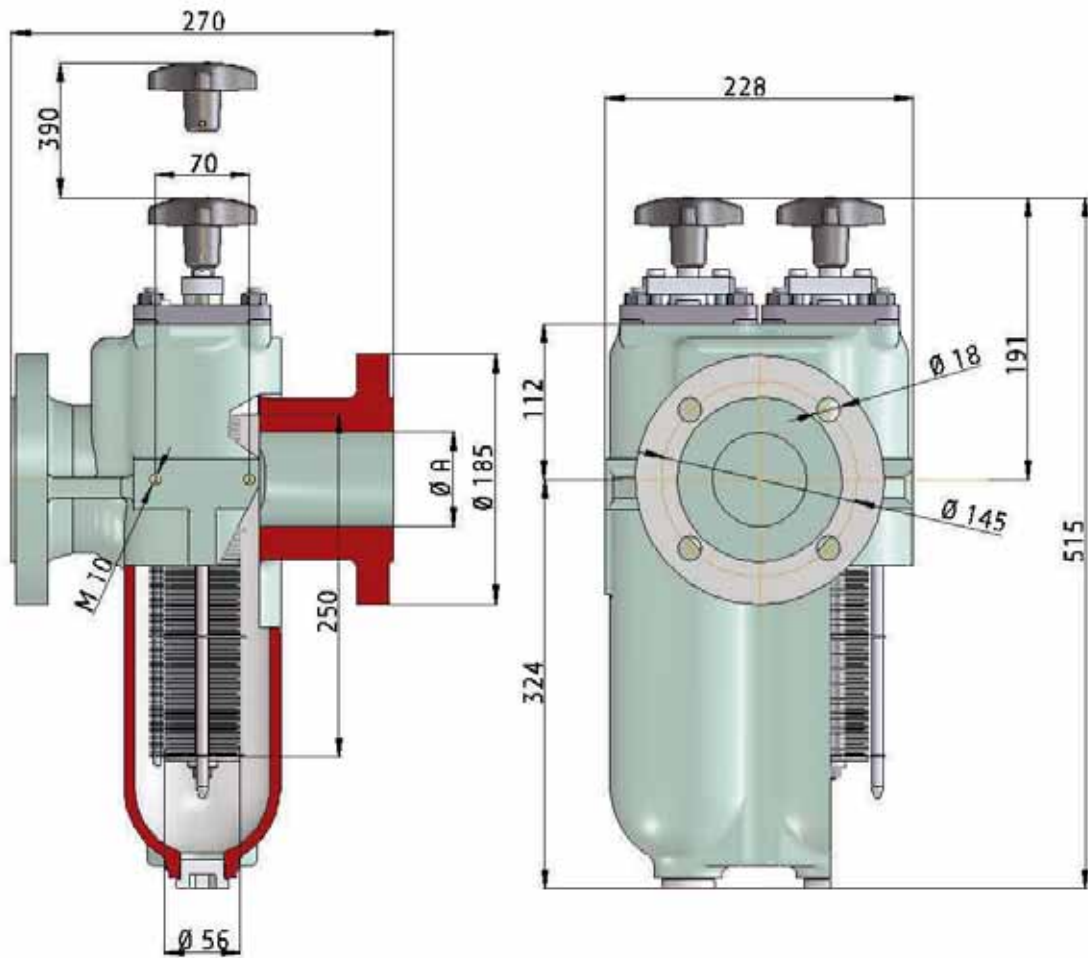
Filtrec filter assembly	Filter insert	Gap width (µm)	Nominal flow rate (l/h) *	Max. operating pressure (bar)	Max. operating temp. (°C)	Port size -A-	Material head	Material Housing	Media pack material	Volume (l)	Weight approx. (kg)	External treatment
KMGP00023	25.001.00007	100	12000	40	120	Ø 50	gray cast iron	gray cast iron	steel	2	19,5	painted RAL 7011
KMGP00005	25.001.00013	100	12000	40	120	Ø 50	gray cast iron	gray cast iron	stainless steel	2	19,5	painted RAL 7011
KMGP00018	25.001.00029	200	15000	40	120	Ø 50	gray cast iron	gray cast iron	steel	2	19,5	painted RAL 7011
KMGP00035	25.001.00035	200	15000	40	120	Ø 50	gray cast iron	gray cast iron	stainless steel	2	19,5	painted RAL 7011
KMGP00028	25.001.00048	400	15000	40	120	Ø 50	gray cast iron	gray cast iron	steel	2	19,5	painted RAL 7011
KMGP00033	25.001.00049	800	15000	40	120	Ø 50	gray cast iron	gray cast iron	stainless steel	2	19,5	painted RAL 7011

*Max flow rates apply to liquids with a viscosity of 72 (cSt) with Dp of 0,2 to 0,4 bar.



Filtrac filter assembly	Filter insert	Gap width (µm)	Nominal flow rate (l/h) *	Max. operating pressure (bar)	Max. operating temp. (°C)	Port size -A-	Material head	Material Housing	Media pack material	Volume (l)	Weight approx. (kg)	External treatment
KMGP00029	25.001.00050	100	15000	40	120	DN 50 PN 16	aluminium	aluminium	stainless steel	2	19,5	not painted
KMGP00011	25.001.00022	200	15000	40	120	DN 50 PN 16	aluminium	aluminium	stainless steel	2	19,5	not painted
KMGP00030	25.001.00051	800	15000	40	120	DN 50 PN 16	aluminium	aluminium	stainless steel	2	19,5	not painted

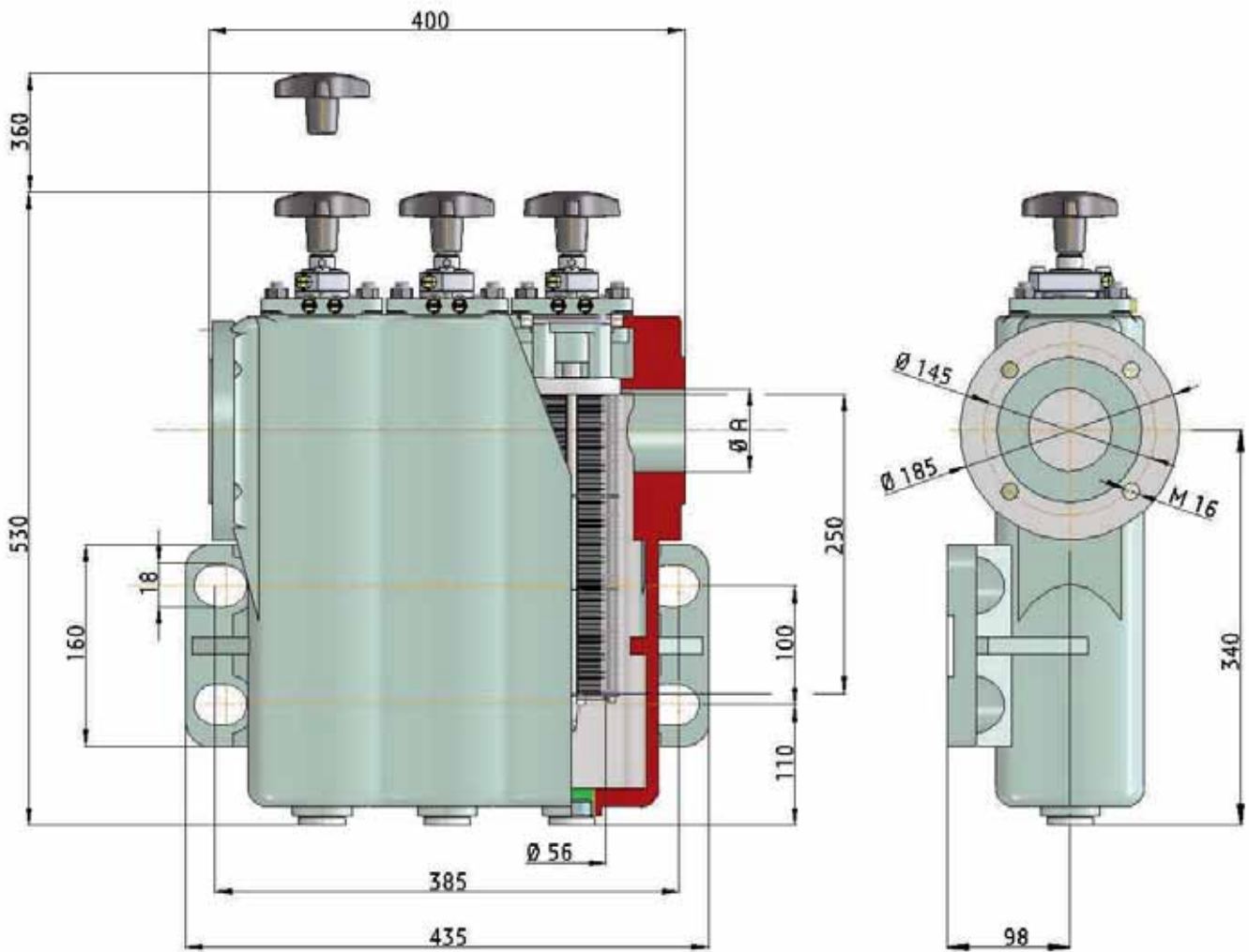
*Max flow rates apply to liquids with a viscosity of 72 (cSt) with Dp of 0,2 to 0,4 bar.



Multiple element filter assembly

Filtrec filter assembly	Filter insert	Gap width (µm)	Nominal flow rate (l/h) *	Max. operating pressure (bar)	Max. operating temp. (°C)	Port size -A-	Material head	Material Housing	Media pack material	Volume (l)	Weight approx. (kg)	External treatment
KMGP00022	25.001.00014	200	20000	15	120	DN 65 PN 16	gray cast iron	gray cast iron	steel	4	42	painted RAL 7011

*Max flow rates apply to liquids with a viscosity of 72 (cSt) with Dp of 0,2 to 0,4 bar.



Multiple element filter assembly

Filtrec filter assembly	Filter insert	Gap width (µm)	Nominal flow rate (l/h) *	Max. operating pressure (bar)	Max. operating temp. (°C)	Port size -A-	Material head	Material Housing	Media pack material	Volume (l)	Weight approx. (kg)	External treatment
KMGP00021	25.001.00023	100	30000	15 Bar	120°	DN 65 PN 16	gray cast iron	gray cast iron	steel	9	42	painted RAL 7011
KMGP00007	25.001.00047	200	45000	15 Bar	120°	DN 65 PN 16	gray cast iron	gray cast iron	steel	9	42	painted RAL 7011

*Max flow rates apply to liquids with a viscosity of 72 (cSt) with Dp of 0,2 to 0,4 bar.



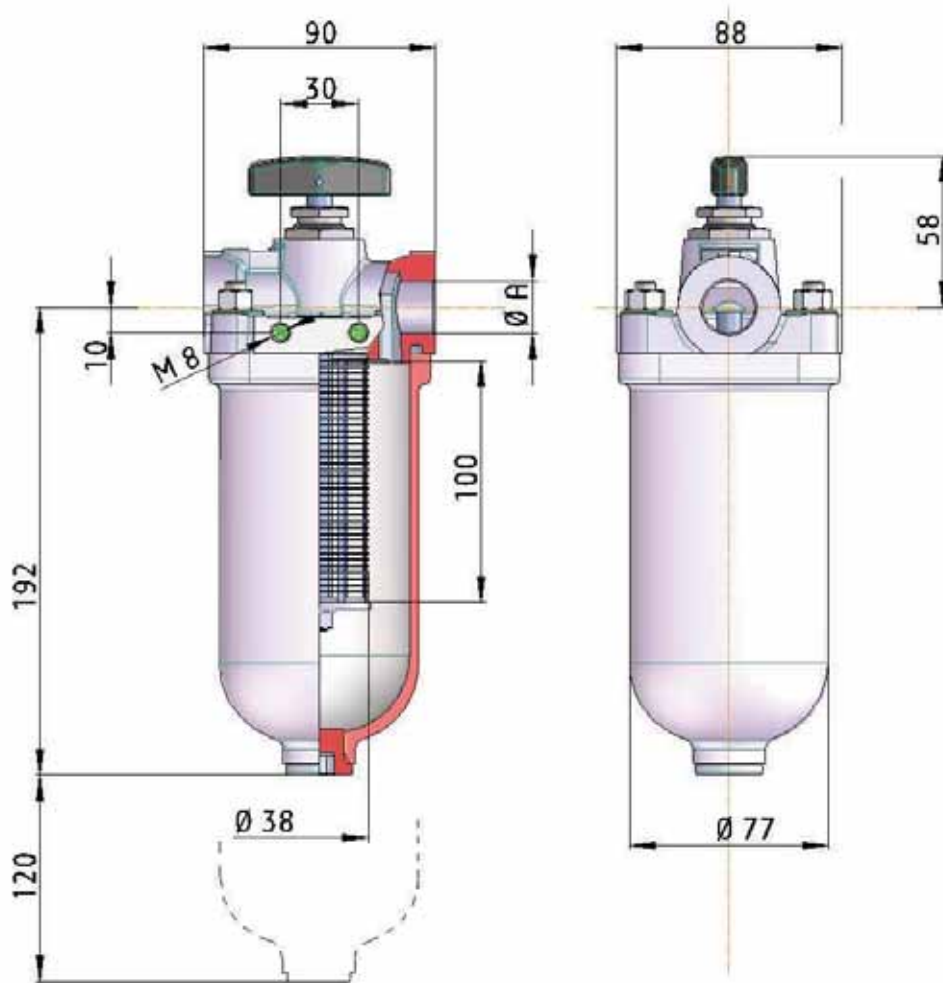
KMGT - TUBE GAP-TYPE FILTERS

Watery and/or aggressive liquids

PRELIMINARY SEARCH AND SELECTION TABLE

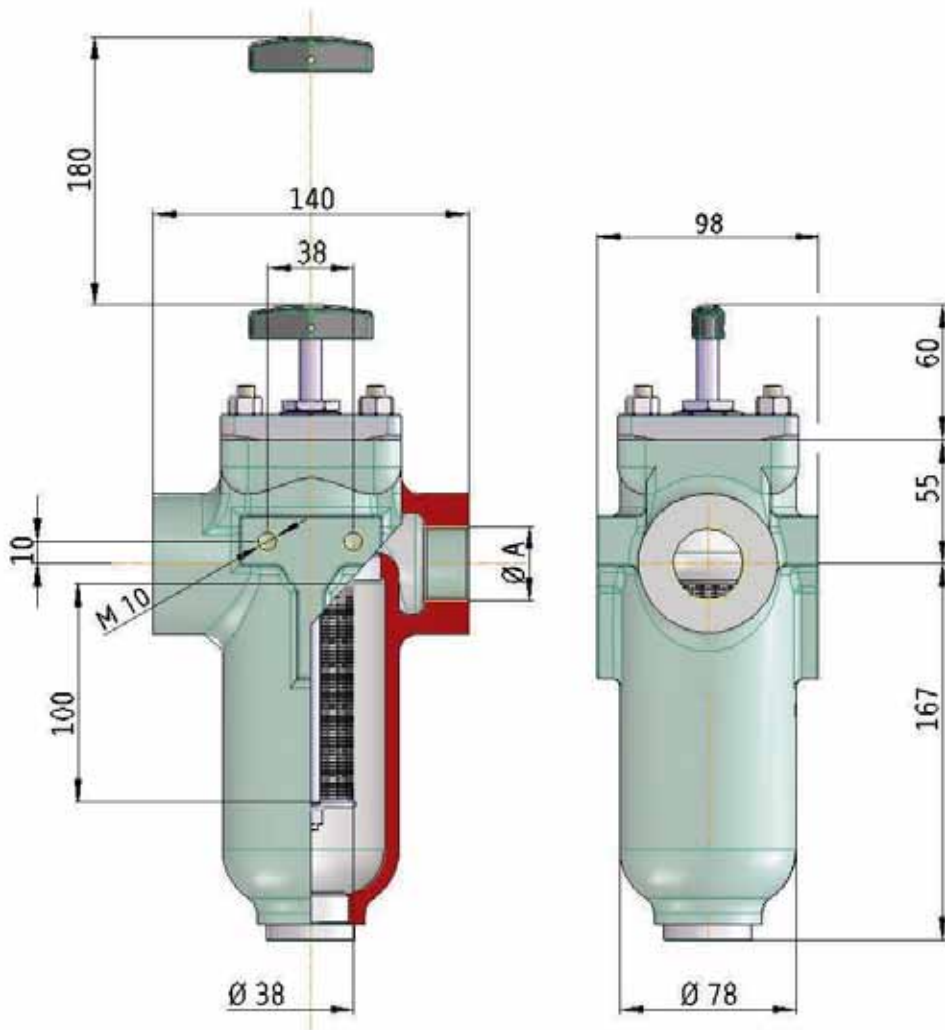
go to the respective page for detailed info

Model	Gap width (μm)	Nominal flow rate (l/h) *	Max. operating pressure (bar)	Port size	Page
KMGT00018	50	1100	40	G 3/4	T 01
KMGT00012	50	1100	40	G 1	T 03
KMGT00011	50	4000	40	DN50 PN16	T 05
KMGT00007	50	4000	40	DN50 PN16	T 06
KMGT00019	75	10000	40	DN50 PN16	T 06
KMGT00003	100	1100	40	G 3/4	T 02
KMGT00001	100	3500	40	G 1	T 03
KMGT00014	100	10000	40	DN50 PN16	T 05
KMGT00023	100	12000	10	DN50 PN16	T 07
KMGT00009	100	13000	40	DN50 PN16	T 06
KMGT00021	150	10000	40	DN50 PN16	T 05
KMGT00013	200	3000	40	G 3/4	T 01
KMGT00010	200	3500	40	G 1	T 02
KMGT00017	200	5000	40	G 1	T 03
KMGT00015	200	5000	40	G 1	T 04
KMGT00005	200	15000	40	DN50 PN16	T 05
KMGT00002	200	15000	40	DN50 PN16	T 06
KMGT00024	200	20000	10	DN50 PN16	T 07
KMGT00004	500	5000	40	G 1	T 03
KMGT00022	500	20000	40	DN50 PN16	T 06
KMGT00020	1000	4500	40	G 1	T 02
KMGT00006	1000	5000	40	G 1	T 03



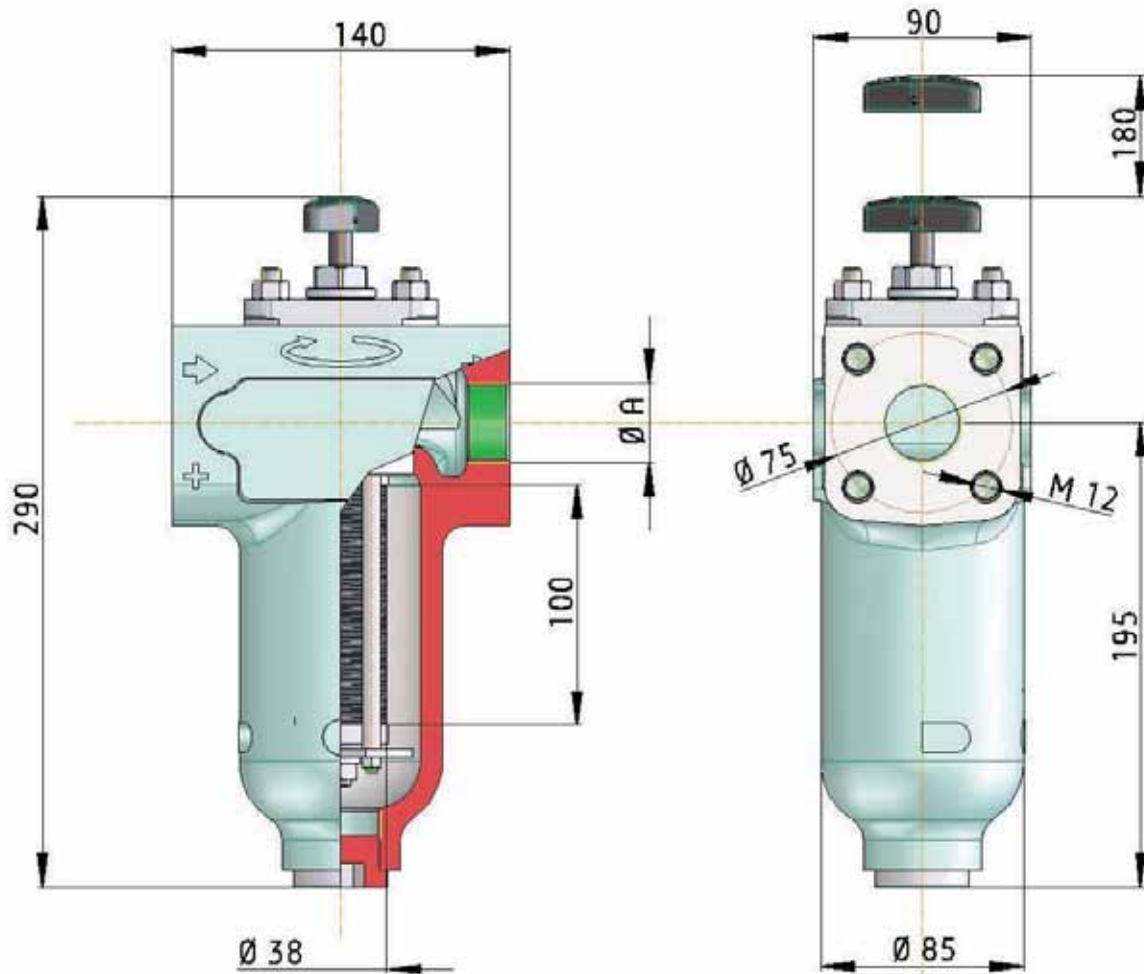
Filtrec filter assembly	Filter insert	Gap width (µm)	Nominal flow rate (l/h) *	Max. operating pressure (bar)	Max. operating temp. (°C)	Port size -A-	Material head	Material Housing	Media pack material	Volume (l)	Weight approx. (kg)	External treatment
KMGT00018	25.003.00031	50	1100	40	120	G 3/4	gray cast iron	steel	stainless steel	0,5	2,2	painted RAL 7011
KMGT00013	25.003.00026	200	3000	40	120	G 3/4	gray cast iron	steel	stainless steel	0,5	2,2	painted RAL 7011

*Max flow rates apply to liquids with a viscosity of 72 (cSt) with Dp of 0,2 to 0,4 bar.



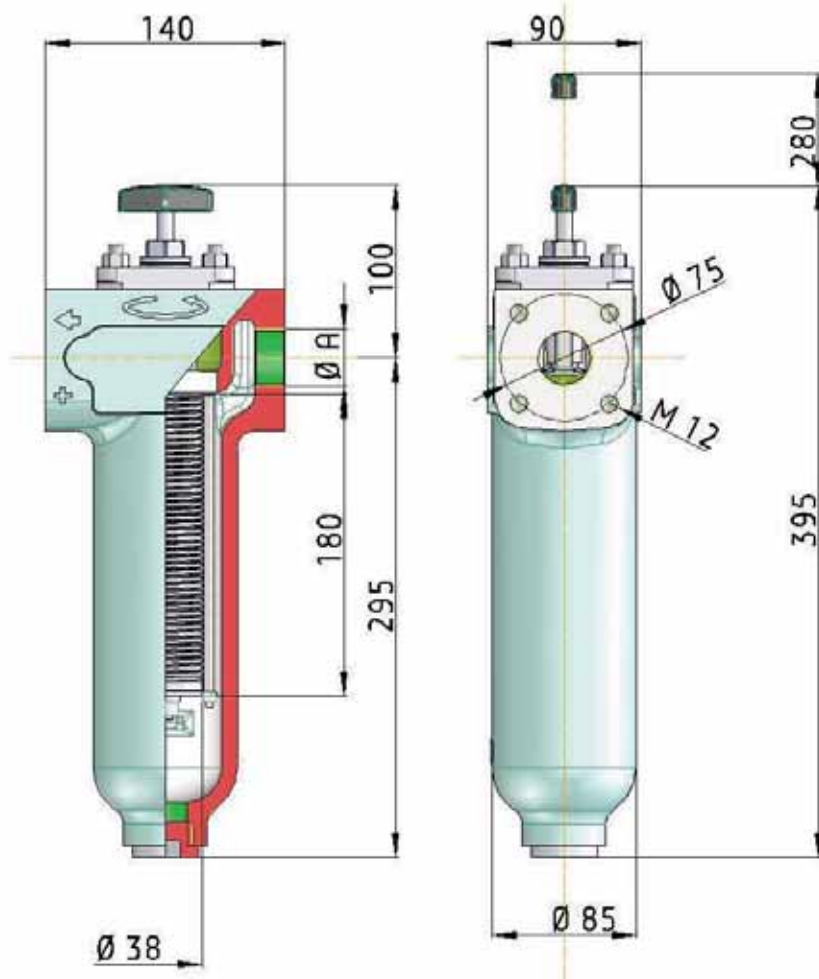
Filtrec filter assembly	Filter insert	Gap width (µm)	Nominal flow rate (l/h) *	Max. operating pressure (bar)	Max. operating temp. (°C)	Port size -A-	Material head	Material Housing	Media pack material	Volume (l)	Weight approx. (kg)	External treatment
KMGT00003	25.003.00006	100	1100	40	120	G 3/4	stainless steel	stainless steel	stainless steel	0,5	5,8	Not painted
KMGT00010	25.003.00020	200	3500	40	120	G 1	stainless steel	stainless steel	stainless steel	0,5	5,8	Not painted
KMGT00020	25.003.00013	1000	4500	40	120	G 1	stainless steel	stainless steel	stainless steel	0,5	5,8	Not painted

*Max flow rates apply to liquids with a viscosity of 72 (cSt) with Dp of 0,2 to 0,4 bar.



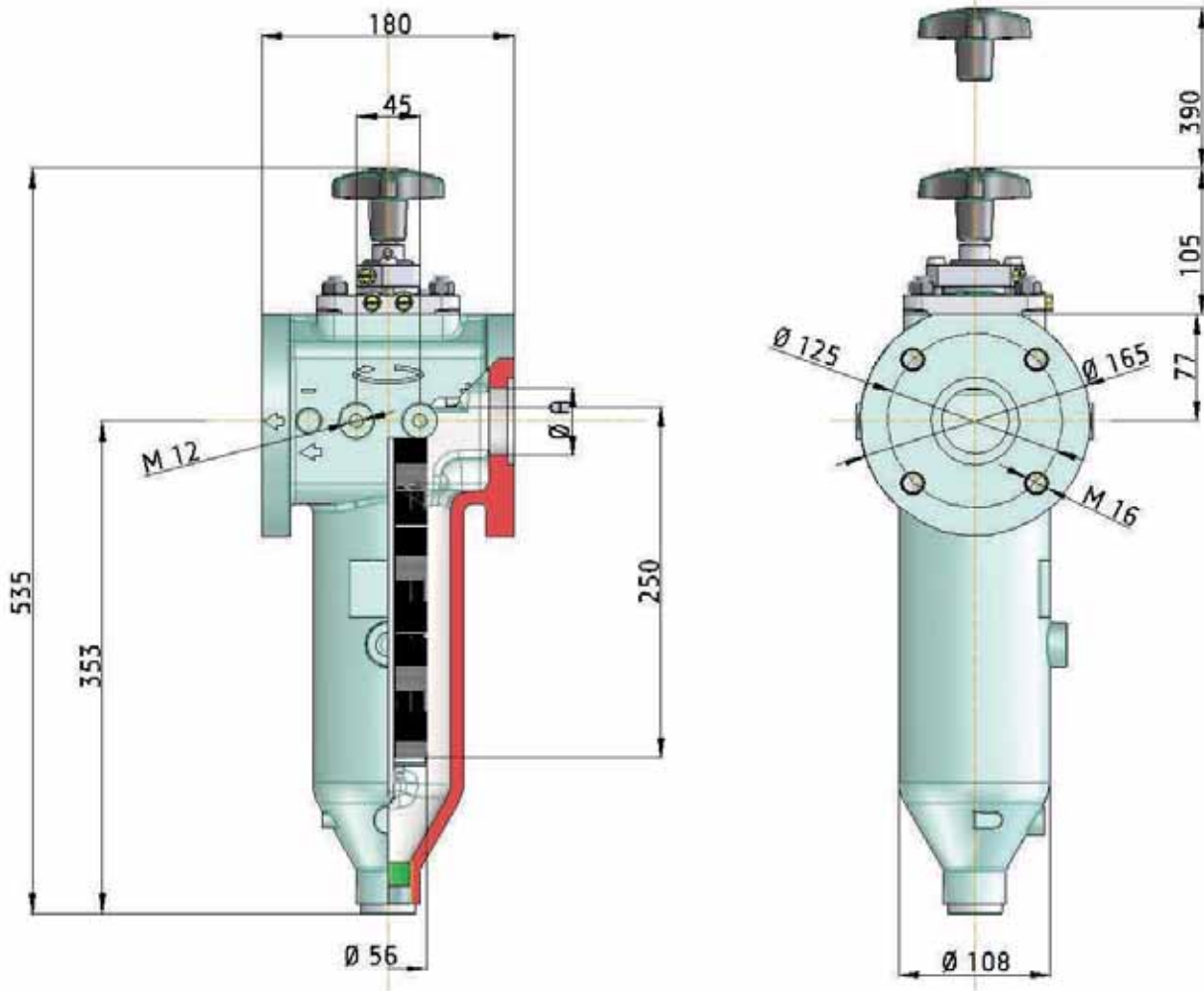
Filtrec filter assembly	Filter insert	Gap width (µm)	Nominal flow rate (l/h) *	Max. operating pressure (bar)	Max. operating temp. (°C)	Port size -A-	Material head	Material Housing	Media pack material	Volume (l)	Weight approx. (kg)	External treatment
KMGT00012	25.003.00024	50	1100	40	120	G 1	aluminium	aluminium	stainless steel	0,5	6,2	not painted
KMGT00001	25.003.00006	100	3500	40	120	G 1	aluminium	aluminium	stainless steel	0,5	6,2	not painted
KMGT00017	25.003.00020	200	5000	40	120	G 1	aluminium	aluminium	stainless steel	0,5	6,2	not painted
KMGT00004	25.003.00011	500	5000	40	120	G 1	aluminium	aluminium	stainless steel	0,5	6,2	not painted
KMGT00006	25.003.00013	1000	5000	40	120	G 1	aluminium	aluminium	stainless steel	0,5	6,2	not painted

*Max flow rates apply to liquids with a viscosity of 72 (cSt) with Dp of 0,2 to 0,4 bar.



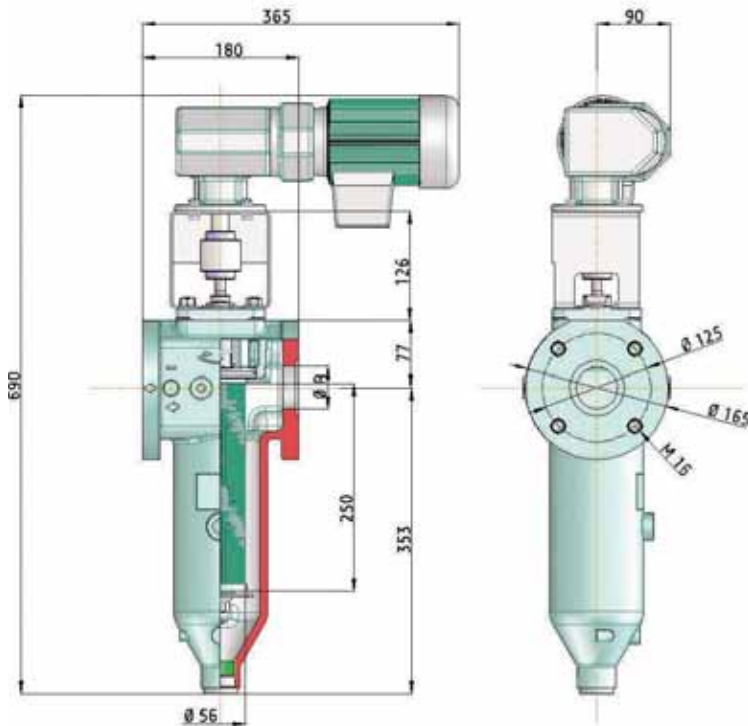
Filtrec filter assembly	Filter insert	Gap width (μm)	Nominal flow rate (l/h) *	Max. operating pressure (bar)	Max. operating temp. ($^{\circ}\text{C}$)	Port size -A-	Material head	Material Housing	Media pack material	Volume (l)	Weight approx. (kg)	External treatment
KMGT00015	25.003.00027	200	5000	40	120	G 1	aluminium	aluminium	stainless steel	1	8	Not painted

*Max flow rates apply to liquids with a viscosity of 72 (cSt) with Dp of 0,2 to 0,4 bar.



Filtrec filter assembly	Filter insert	Gap width (μm)	Nominal flow rate (l/h) *	Max. operating pressure (bar)	Max. operating temp. ($^{\circ}\text{C}$)	Port size -A-	Material head	Material Housing	Media pack material	Volume (l)	Weight approx. (kg)	External treatment
KMGT00011	25.003.00021	50	4000	40	120	DN 50 PN16	aluminium	aluminium	stainless steel	2	16	not painted
KMGT00014	25.003.00007	100	10000	40	120	DN 50 PN16	aluminium	aluminium	stainless steel	2	16	not painted
KMGT00021	25.003.00004	150	10000	40	120	DN 50 PN16	aluminium	aluminium	stainless steel	2	16	not painted
KMGT00005	25.003.00008	200	15000	40	120	DN 50 PN16	aluminium	aluminium	stainless steel	2	16	not painted

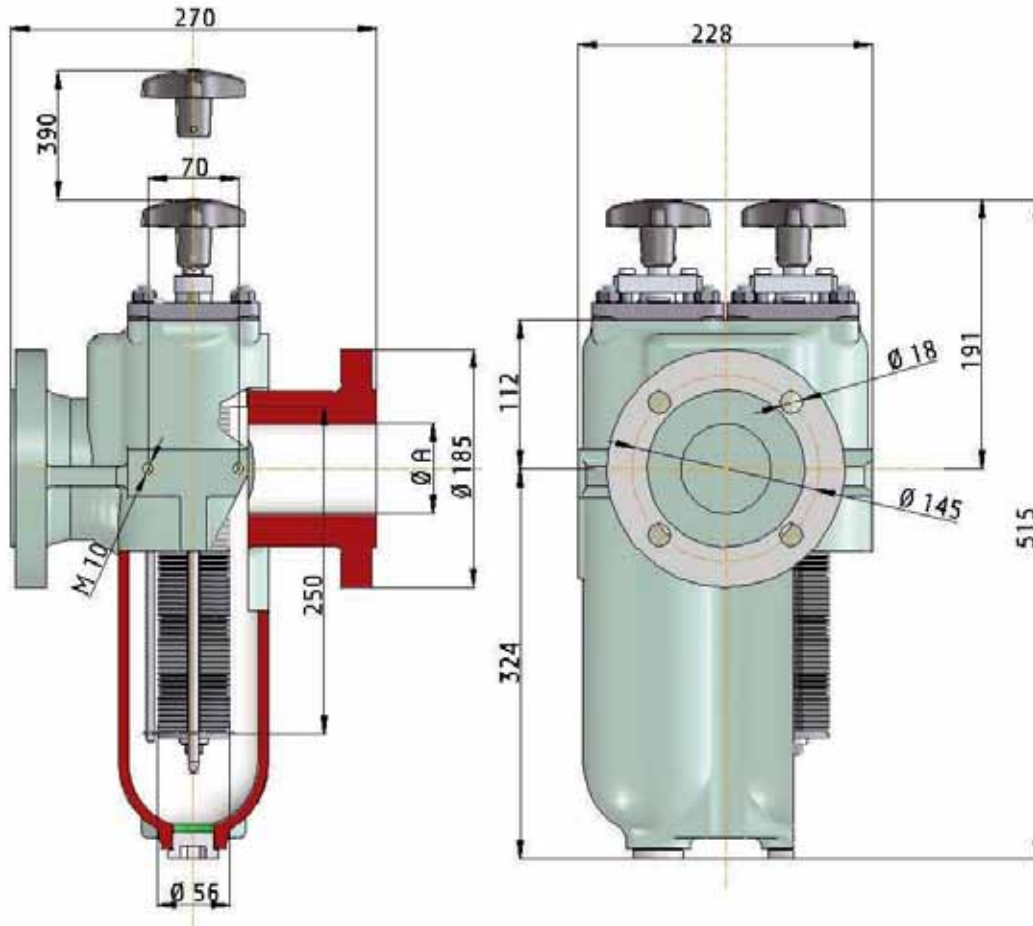
*Max flow rates apply to liquids with a viscosity of 72 (cSt) with Dp of 0,2 to 0,4 bar.



GEARMOTOR		
STANDARD EXECUTION		
Voltage	50 Hz	60 Hz
Rated Voltage	230/400 V	266/460V
Rotation	rpm 1,84	rpm 2,21
Power Kw	0,06	
Current absorption	0,55 A	0,33 A
Protection	IP 55	
Insulation class	F	
Painting	RAL 7031	

Filtrec filter assembly	Filter insert	Gap width (µm)	Nominal flow rate (l/h) *	Max. operating pressure (bar)	Max. operating temp. (°C)	Port size -A-	Material head	Material Housing	Media pack material	Volume (l)	Weight approx. (kg)	External treatment
KMGT00007	25.003.00016	50	4000	40	120	DN 50 PN16	aluminium	aluminium	stainless steel	2	16	not painted
KMGT00019	25.003.00005	75	10000	40	120	DN 50 PN16	aluminium	aluminium	stainless steel	2	16	not painted
KMGT00009	25.003.00014	100	13000	40	120	DN 50 PN16	aluminium	aluminium	stainless steel	2	16	not painted
KMGT00002	25.003.00010	200	15000	40	120	DN 50 PN16	aluminium	aluminium	stainless steel	2	16	not painted
KMGT00022	25.003.00017	500	20000	40	120	DN 50 PN16	aluminium	aluminium	stainless steel	2	16	not painted

*Max flow rates apply to liquids with a viscosity of 72 (cSt) with Dp of 0,2 to 0,4 bar.



Multiple element filter assembly

Filtrec filter assembly	Filter insert	Gap width (µm)	Nominal flow rate (l/h) *	Max. operating pressure (bar)	Max. operating temp. (°C)	Port size -A-	Material head	Material Housing	Media pack material	Volume (l)	Weight approx. (kg)	External treatment
KMGT00023	25.003.00007	100	12000	10	120	DN 50 PN16	gray cast iron	gray cast iron	stainless steel	4	42	painted RAL 7011
KMGT00024	25.003.00010	200	20000	10	120	DN 50 PN16	gray cast iron	gray cast iron	stainless steel	4	42	painted RAL 7011

*Max flow rates apply to liquids with a viscosity of 72 (cSt) with Dp of 0,2 to 0,4 bar.



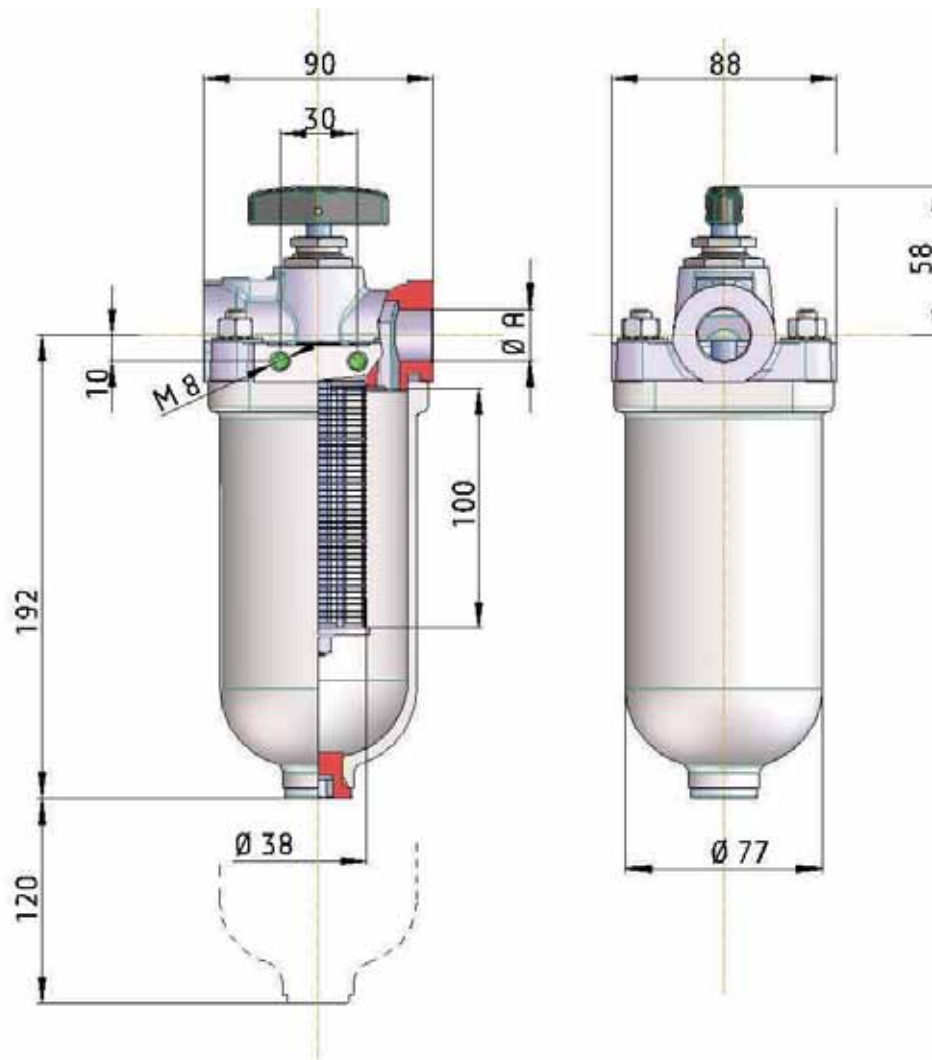
KMGW - WIRE GAP-TYPE FILTERS

Fuels and lubricants

PRELIMINARY SEARCH AND SELECTION TABLE

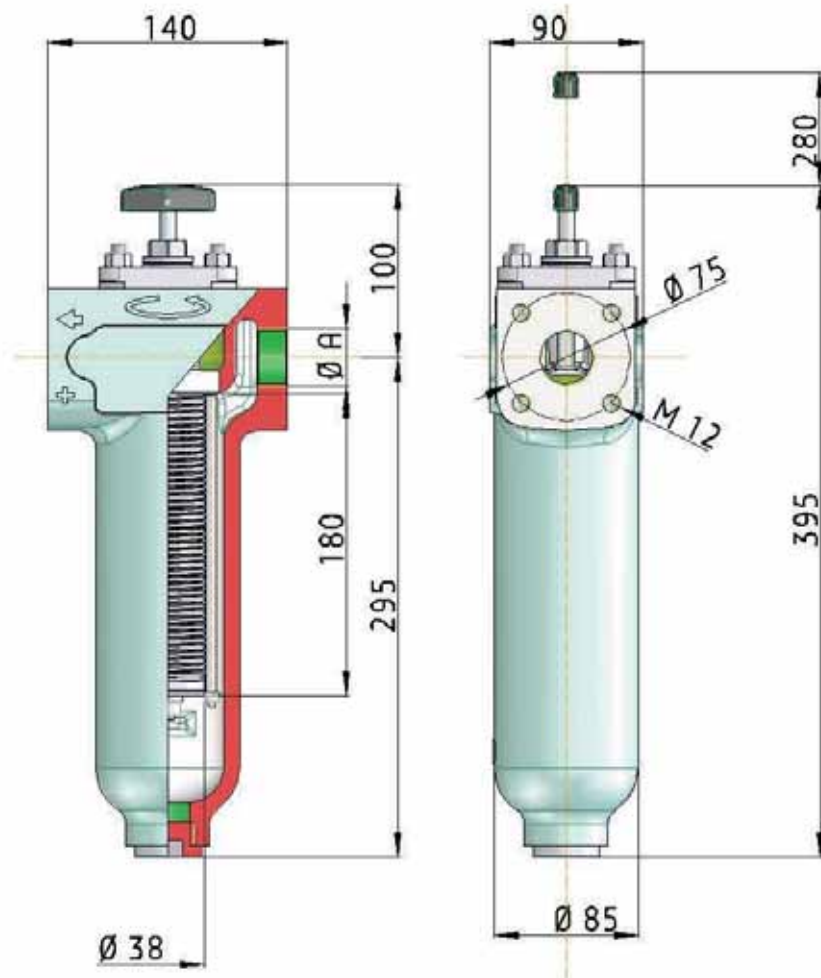
go to the respective page for detailed info

Model	Gap width (μm)	Nominal flow rate (l/h) *	Max. operating pressure (bar)	Port size	Page
KMGW00007	30	2100	40	G 3/4	W 01
KMGW00008	30	2100	40	G 1	W 02
KMGW00012	30	2800	50	DN50 PN16	W 03
KMGW00004	50	2000	20	\varnothing 24	W 04
KMGW00003	50	3000	40	G 3/4	W 01
KMGW00001	50	3000	40	G 1	W 02
KMGW00005	50	3200	40	DN50 PN16	W 03
KMGW00014	50	3200	40	DN50 PN16	W 03
KMGW00002	100	3000	20	\varnothing 24	W 04
KMGW00006	100	3900	40	G 3/4	W 01
KMGW00009	100	3900	40	G 1	W 02
KMGW00010	100	3900	50	DN50 PN16	W 03



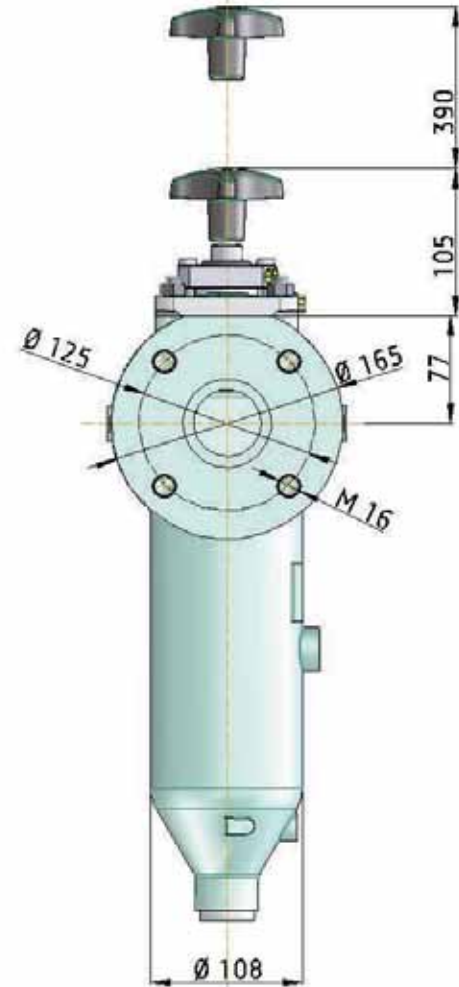
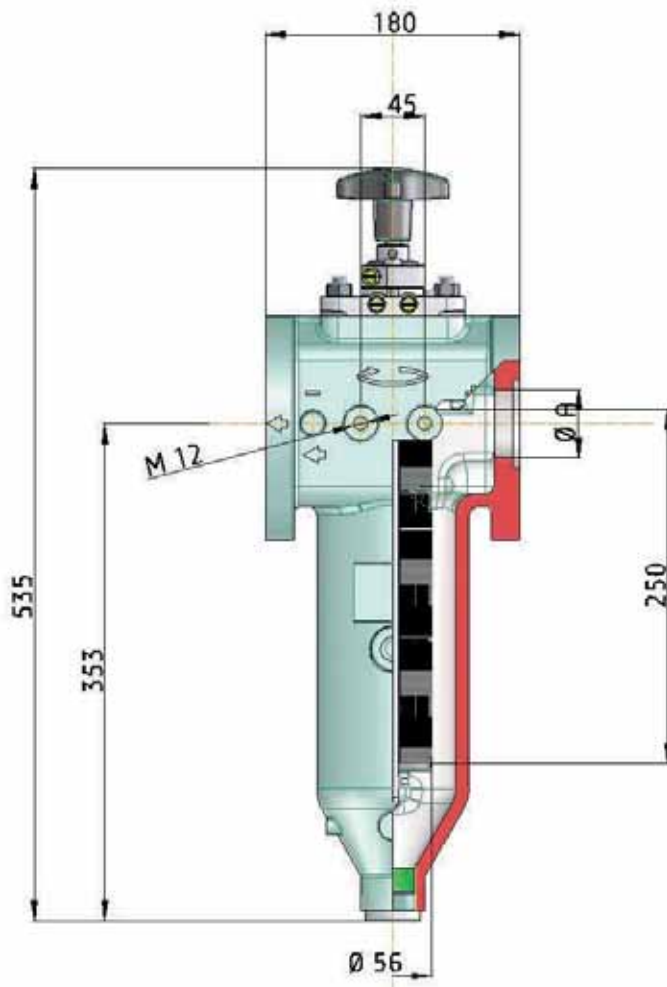
Filtrec filter assembly	Filter insert	Gap width (µm)	Nominal flow rate (l/h) *	Max. operating pressure (bar)	Max. operating temp. (°C)	Port size -A-	Material head	Material Housing	Media pack material	Volume (l)	Weight approx. (kg)	External treatment
KMGW00007	25.002.00026	30	2100	40 Bar	120°	G 3/4	gray cast iron	steel	stainless steel	0,5	2,2	painted RAL 7011
KMGW00003	25.002.00012	50	3000	40 Bar	120°	G 3/4	gray cast iron	steel	stainless steel	0,5	2,2	painted RAL 7011
KMGW00006	25.002.00024	100	3900	40 Bar	120°	G 3/4	gray cast iron	steel	stainless steel	0,5	2,2	painted RAL 7011

*Max flow rates apply to liquids with a viscosity of 72 (cSt) with Dp of 0,2 to 0,4 bar.



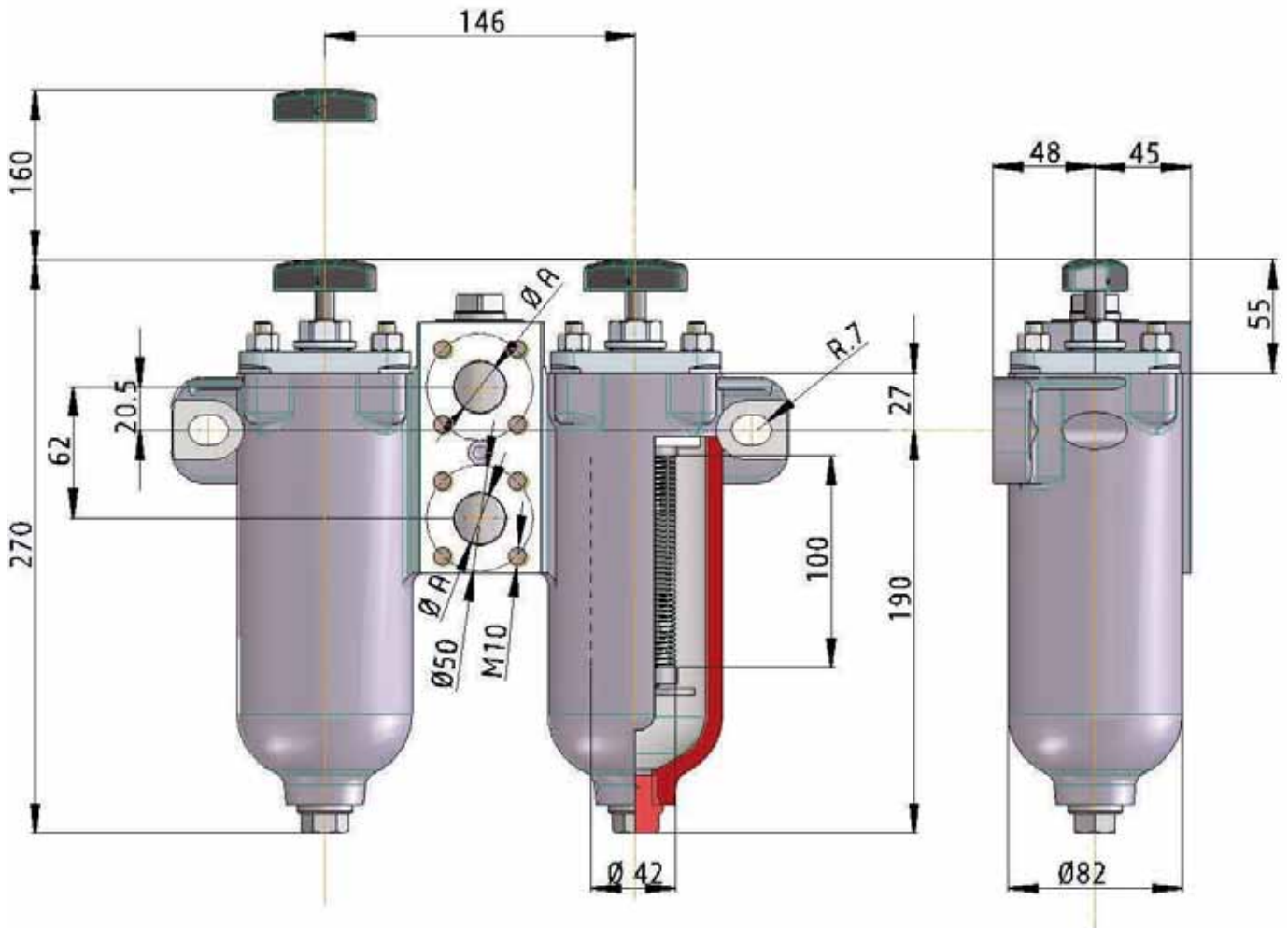
Filtrec filter assembly	Filter insert	Gap width (µm)	Nominal flow rate (l/h) *	Max. operating pressure (bar)	Max. operating temp. (°C)	Port size -A-	Material head	Material Housing	Media pack material	Volume (l)	Weight approx. (kg)	External treatment
KMGW00008	25.002.00027	30	2100	40	120	G 1	aluminium	aluminium	stainless steel	1	2,2	not painted
KMGW00001	25.002.00018	50	3000	40	120	G 1	aluminium	aluminium	stainless steel	1	2,2	not painted
KMGW00009	25.002.00032	100	3900	40	120	G 1	aluminium	aluminium	stainless steel	1	2,2	not painted

*Max flow rates apply to liquids with a viscosity of 72 (cSt) with Dp of 0,2 to 0,4 bar.



Filtrec filter assembly	Filter insert	Gap width (µm)	Nominal flow rate (l/h) *	Max. operating pressure (bar)	Max. operating temp. (°C)	Port size -A-	Material head	Material Housing	Media pack material	Volume (l)	Weight approx. (kg)	External treatment
KMGW00012	25.002.00036	30	2800	50	120	DN 50 PN16	aluminium	aluminium	stainless steel	2	16	not painted
KMGW00005	25.002.00017	50	3200	40	120	DN 50 PN16	aluminium	aluminium	stainless steel	2	16	not painted
KMGW00014	25.002.00029	50	3200	40	120	DN 50 PN16	aluminium	aluminium	stainless steel	2	16	not painted
KMGW00010	25.002.00033	100	3900	50	120	DN 50 PN16	aluminium	aluminium	stainless steel	2	16	not painted

*Max flow rates apply to liquids with a viscosity of 72 (cSt) with Dp of 0,2 to 0,4 bar.



Duplex filter assembly

Filtrec filter assembly	Filter insert	Gap width (µm)	Nominal flow rate (l/h) *	Max. operating pressure (bar)	Max. operating temp. (°C)	Port size -A-	Material head	Material Housing	Media pack material	Volume (l)	Weight approx. (kg)	External treatment
KMGW00004	25.002.00019	50	2000	20	120	Ø24	gray cast iron	gray cast iron	stainless steel	2 x 0,5	6,5	painted RAL 7011
KMGW00002	25.002.00014	100	3000	20	120	Ø 24	gray cast iron	gray cast iron	stainless steel	2 x 0,5	6,5	painted RAL 7011

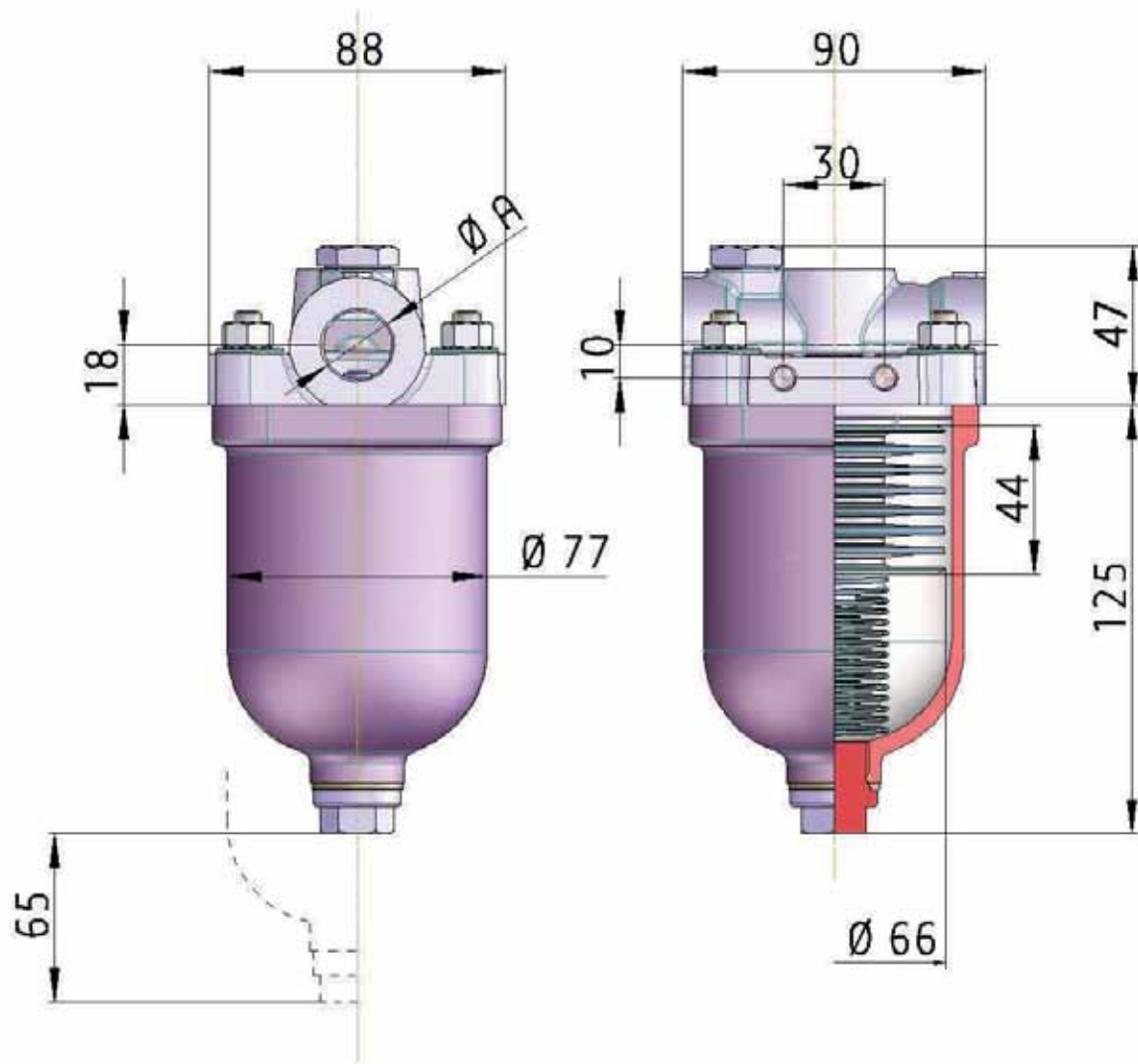
*Max flow rates apply to liquids with a viscosity of 72 (cSt) with Dp of 0,2 to 0,4 bar.



SPECIAL EXECUTIONS (not gap-type)

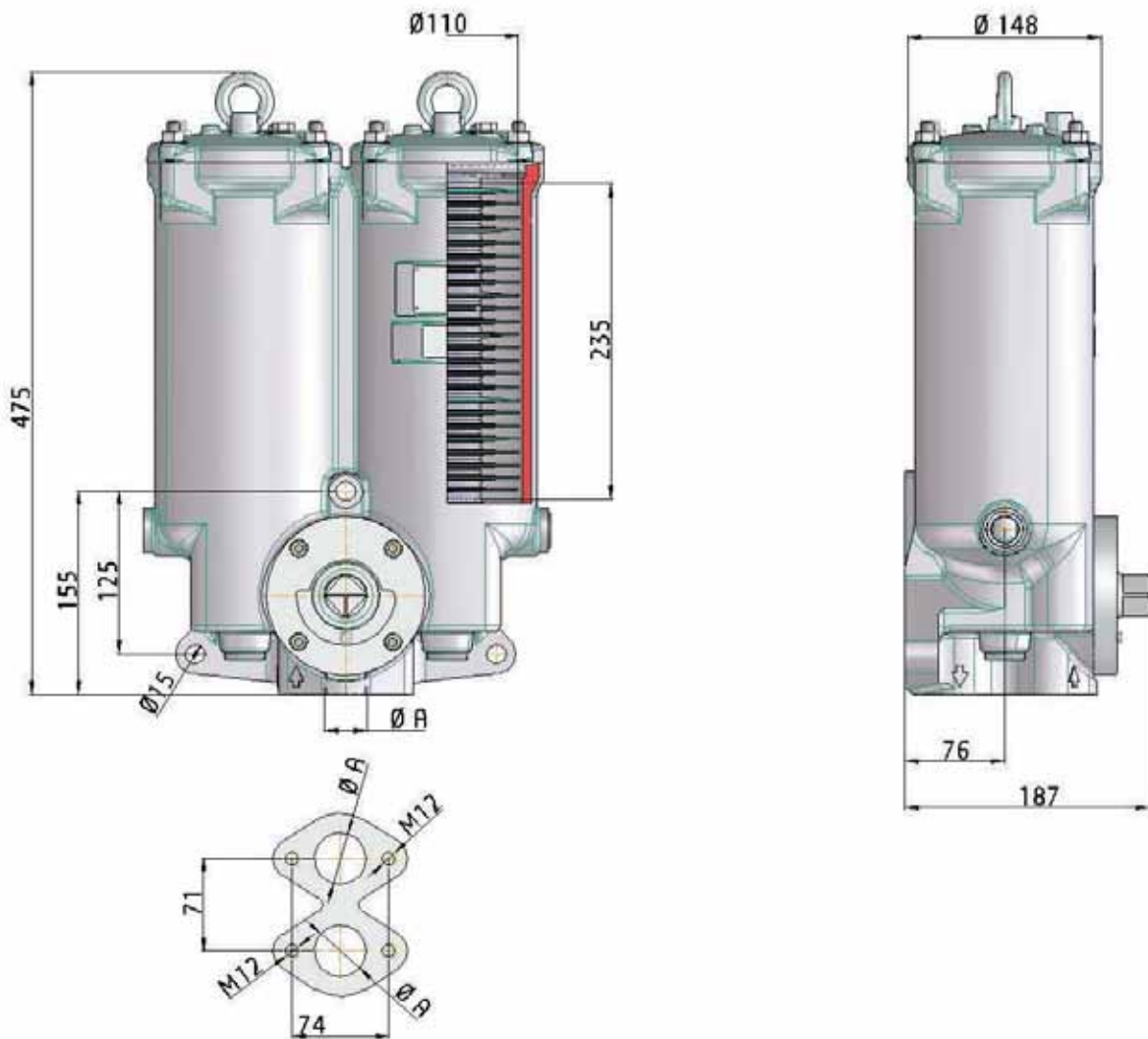
KMS - STRAINER DISK FILTERS

KMX – PLEATED ELEMENT FILTERS



Filtrec filter assembly	Filter insert	Gap width (μm)	Max. operating pressure (bar)	Max. operating temp. ($^{\circ}\text{C}$)	Port size -A-	Material head	Material Housing	Media pack material	Volume (l)	Weight approx. (kg)	External treatment
KMSD00001	25.004.00008	200	50	120	M22X1,5	gray cast iron	steel	stainless steel	0,32	2,2	not painted

*Max flow rates apply to liquids with a viscosity of 72 (cSt) with Dp of 0,2 to 0,4 bar.



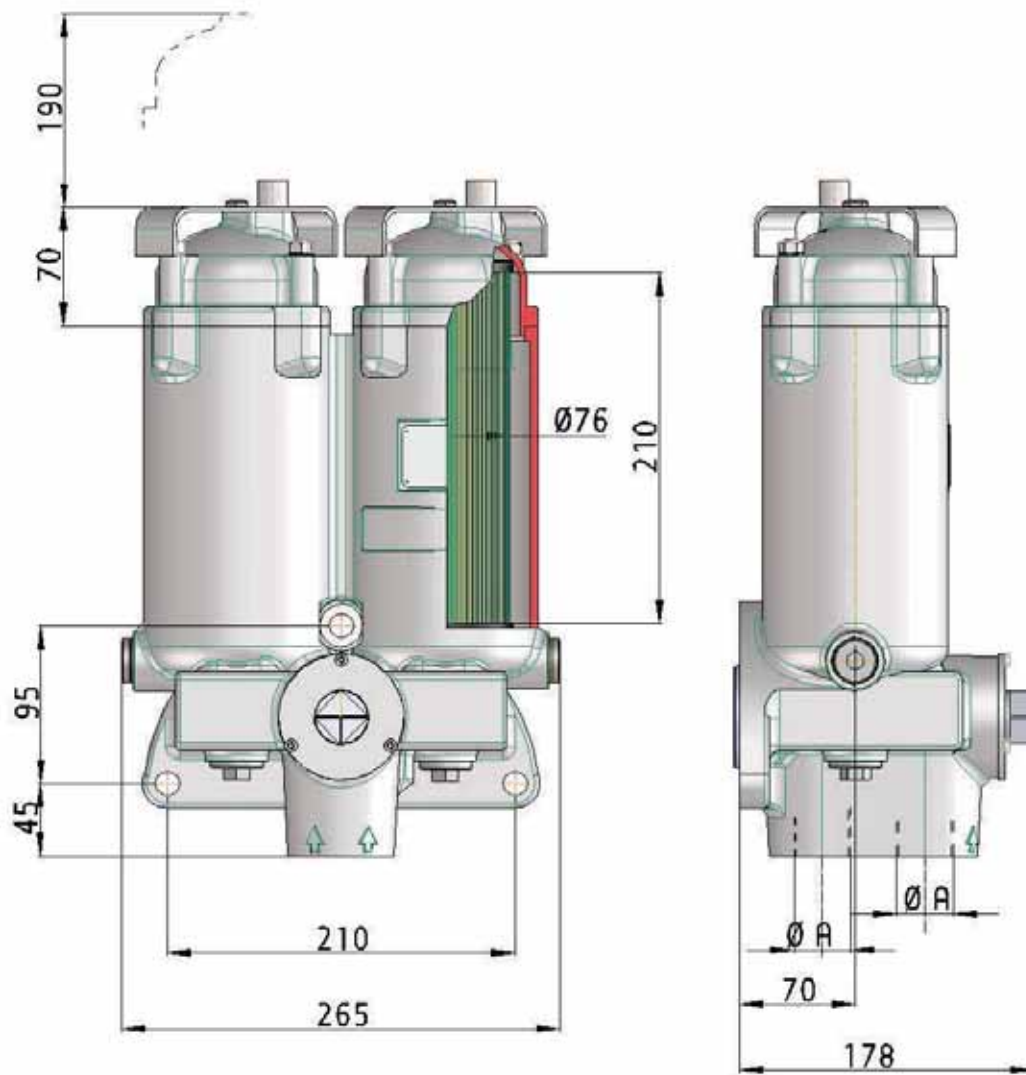
Duplex filter assembly

Filtrec filter assembly	Filter insert	Gap width (µm)	Max. operating pressure (bar)	Max. operating temp. (°C)	Port size -A-	Material head	Material Housing	Media pack material	Volume (l)	Weight approx. (kg)	External treatment
KMSD00004	25.004.00015	60	10	120	See Drawing	aluminium	aluminium	stainless steel	2 x 1,3	7	not painted
KMSD00005	25.004.00004	30	10	120	1) G 1 1/4	aluminium	aluminium	stainless steel	2 x 1,3	7	not painted
KMSD00007	25.004.00003	60	10	120	2) G 1	aluminium	aluminium	stainless steel	2 x 1,3	7	not painted

1) Supplied with blind flange drilled G 1 1/4

2) Supplied with blind flange drilled G 1

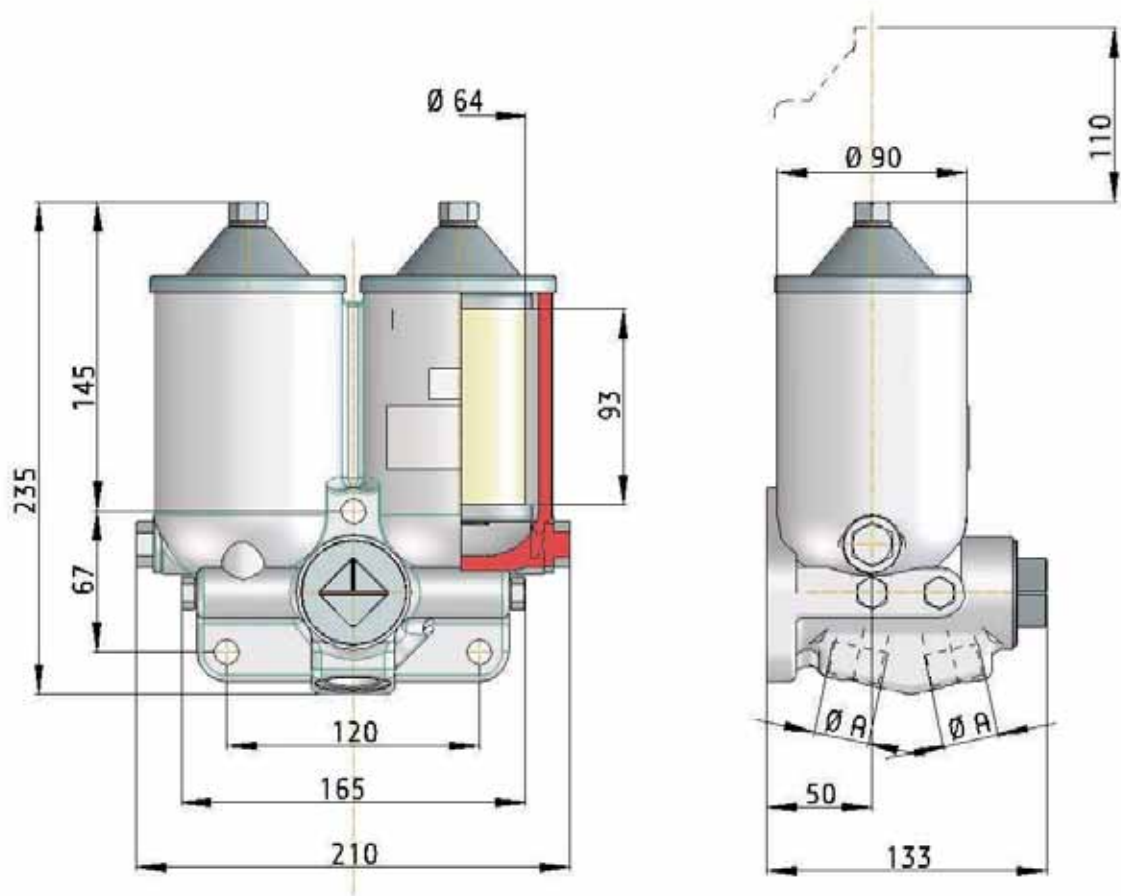
*Max flow rates apply to liquids with a viscosity of 72 (cSt) with Dp of 0,2 to 0,4 bar.



Duplex filter assembly

Filtrec filter assembly	Filter insert	Gap width (µm)	Max. operating pressure (bar)	Max. operating temp. (°C)	Port size -A-	Material head	Material Housing	Media pack material	Volume (l)	Weight approx. (kg)	External treatment
KMX00003	WP858	10	10	120	G 1	aluminium	aluminium	paper	2 x 1,6	5,5	not painted
KMX00004	WG1162	10	10	120	G 1	aluminium	aluminium	glassfiber	2 x 1,6	5,5	not painted

*Max flow rates apply to liquids with a viscosity of 72 (cSt) with Dp of 0,2 to 0,4 bar.



Duplex filter assembly

Filtrec filter assembly	Filter insert	Gap width (µm)	Max. operating pressure (bar)	Max. operating temp. (°C)	Port size -A-	Material head	Material Housing	Media pack material	Volume (l)	Weight approx. (kg)	External treatment
KMX00005	WP859	10	10	120	G 3/4	aluminium	aluminium	paper	2 x 0,6	5,5	not painted
KMX00006	WG1163	10	10	120	G 3/4	aluminium	aluminium	glassfiber	2 x 0,6	5,5	not painted

*Max flow rates apply to liquids with a viscosity of 72 (cSt) with Dp of 0,2 to 0,4 bar.

