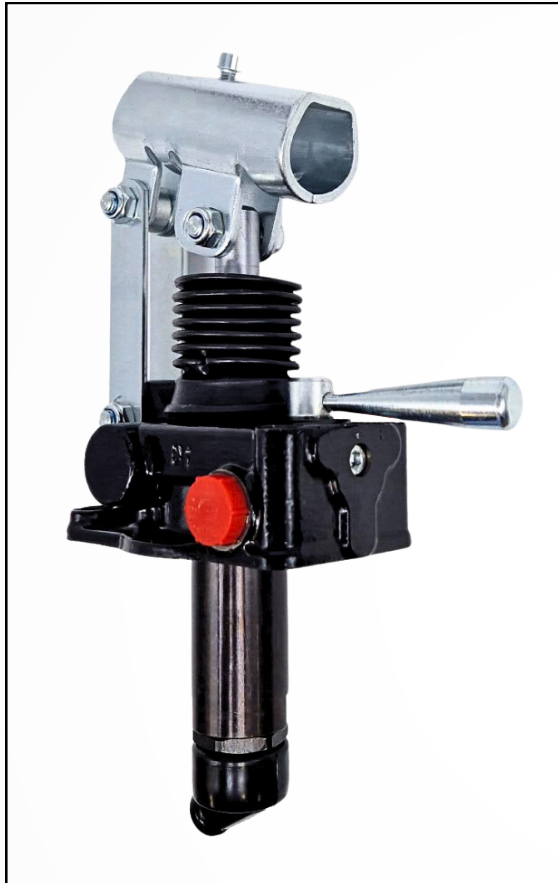


PMD25 RANGE



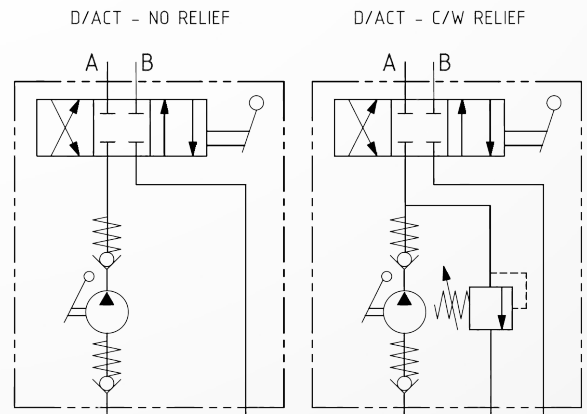
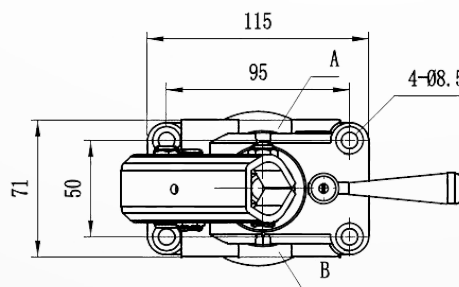
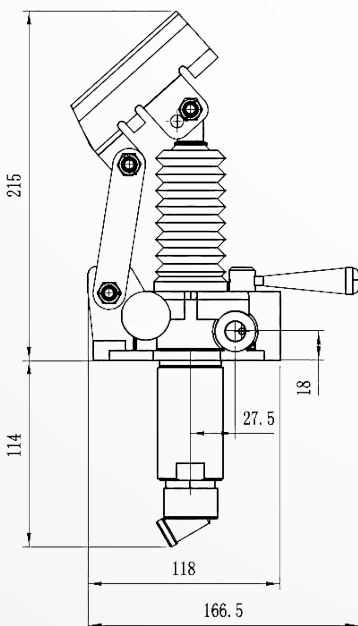
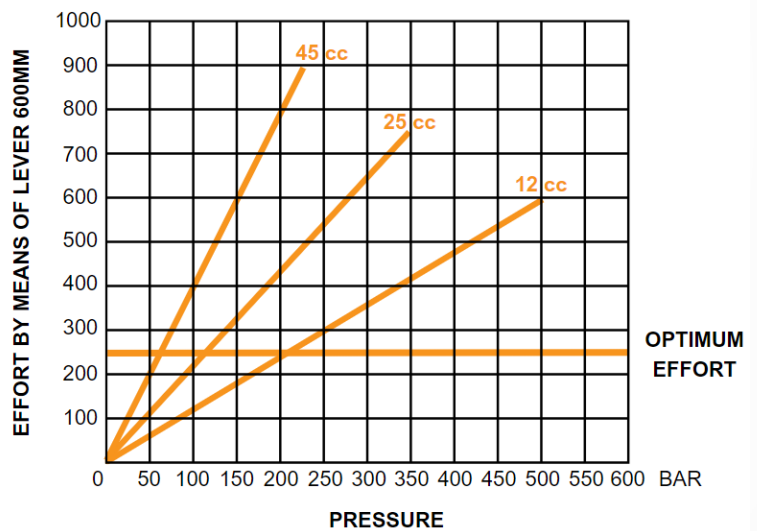
Flowfit 25cc Double Acting Hand Pump
For Double Acting Cylinder, With/Without Relief Valve.
Comes With Oil Tank Mounting Kit and Suction Pipe.

- PMD25-S-FF - Without Relief Valve
- PMD25-BYB-S-FF - With Relief Valve



SPECIFICATIONS

- 3/8" BSP Port Size
- Max working pressure: 350 Bar
- Internal Leakage: < 2 drops/min at 138 bar
- Filtration of oil: 25 Micron or better
- Temperature: -30 - 110°C
- Flow: 25cc Hand Pump
UP - 13.4 cm³ DOWN - 11.6cm³
- Double stroke operation

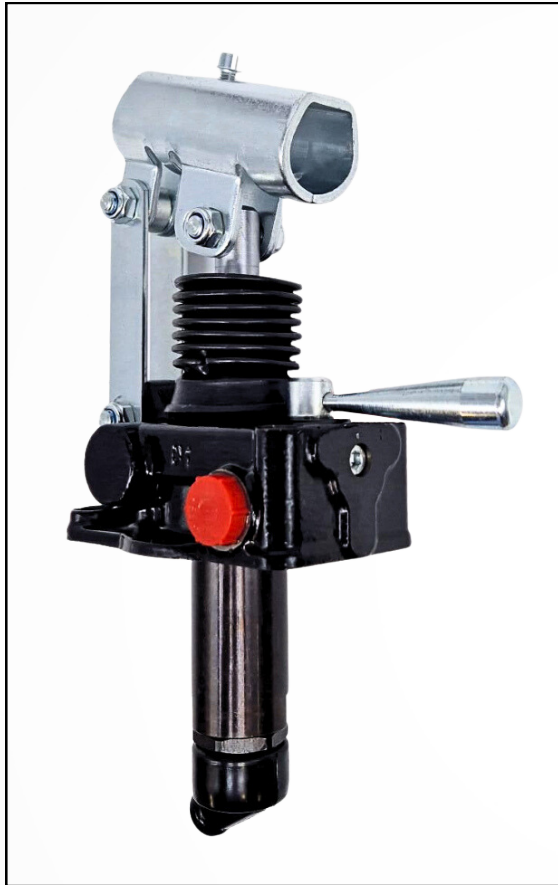




PMD45 RANGE

Flowfit 45cc Double Acting Hand Pump
For Double Acting Cylinder, With/Without Relief Valve.
Comes With Oil Tank Mounting Kit and Suction Pipe.

- PMD45-S-FF - Without Relief Valve
- PMD45-BYB-S-FF - With Relief Valve



SPECIFICATIONS

- 3/8" BSP Port Size
- Max working pressure: 350 Bar
- Internal Leakage: < 2 drops/min at 138 bar
- Filtration of oil: 25 Micron or better
- Temperature: -30 - 110°C
- Flow: 45cc Hand Pump
UP - 23.7 cm³ DOWN - 21.3cm³
- Double stroke operation

