



# Operating Manual FUH015MG0BS0

TRANSFER AND FILTRATION PORTABLE UNIT



Read the safety and operating instructions before use!

**EMPTY UNIT:** fit the filter element before use

## SUMMARY

1	SAFETY REGULATIONS.....	3
2	FEATURES OF THE UNIT.....	4
3	ELECTRICAL SCHEME.....	5
4	HYDRAULIC SCHEME.....	6
5	COMPONENTS LIST.....	6
6	MOVING THE UNIT .....	7
7	INSTRUCTIONS OF USE.....	8
8	MAINTENANCE .....	11
8.1	FILTER MAINTENANCE .....	11
8.1.1	FILTER ELEMENT REPLACEMENT .....	12
9	FILTER ELEMENT DISPOSAL .....	13
10	PERIODIC AND EXTRAORDINARY MAINTENANCE .....	13
11	IN CASE OF ANOMALY.....	13
12	WARRANTY.....	13
13	EC DECLARATION OF CONFORMITY.....	14
14	SPARE ELEMENTS .....	15
15	USED FILTER ELEMENTS LOGBOOK .....	16

### Enclosures:

- Declaration of Conformity CE
- Technical data sheet of the unit

## 1 SAFETY REGULATIONS

1. The unit can be used by authorized and trained personnel only, after having read and UNDERSTOOD this manual.
2. This manual must be given to the operator and preserved. The holder of the unit has the responsibility of it.
3. **WARNING!** A improper use of the unit can be dangerous (due to the oil under pressure).
4. The transfer and filtration operations are safe, if the regulations listed here below are followed.
5. Take care of always working in safe conditions and never precariously.
6. The operator must be informed and trained about the content of this manual, and his learning must be verified.
7. The operator is responsible of the correct use of the unit, based on the information given in this manual and on the training performed.
8. Before connecting the unit to the power supply, verify that the socket is properly protected by overloads and shortcuts.
9. Verify that the power supply voltage and frequency corresponds to the data given on the unit label.
10. Use only cables, plugs and extensions conform to the regulations in force in the Country where the unit is used.
11. Before any intervention on the unit , disconnect the plug from the power supply.
12. Any maintenance and repair operation must be done by qualified personnel only.
13. Original spare parts only must be used, to keep valid the certification.
14. It is **FORBIDDEN** to use the unit with a pressure higher than the allowed one. Such negligence could cause danger for the operator and damages to the unit.

**The Manufacturer declines any liability for any damage caused by negligence or not compliance with the rules contained in this manual.**

## 2 FEATURES OF THE UNIT

The unit is designed for transfer and off line filtration of hydraulic oil.

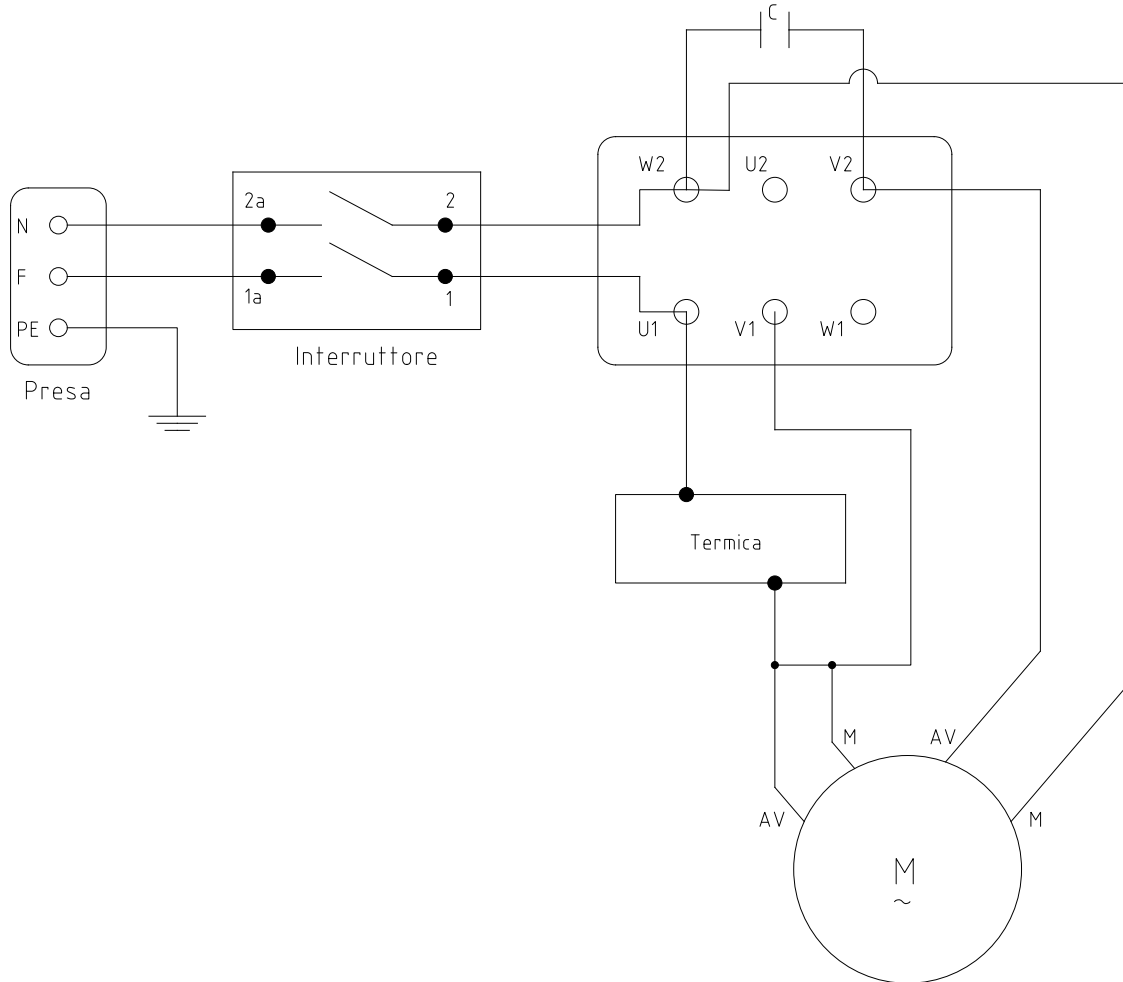
The unit consists of:

- Support frame by rigid tubes.
- Suction and transfer device: motor-pump group complete with IN and OUT hoses with rigid ends.
- Filtration devices: a Y type filter upstream the pump to stop possible coarse contamination, and a main filter on the outlet line. **The unit is initially supplied without filter element;** before use a filter element with a proper media must be fitted.
- Safety device against the risks when using the unit: a switch with protection from overloads and short-cuts. The start of the motor can occur only by voluntarily pressing the start button; **during the operation of the unit the operator must be always present.**

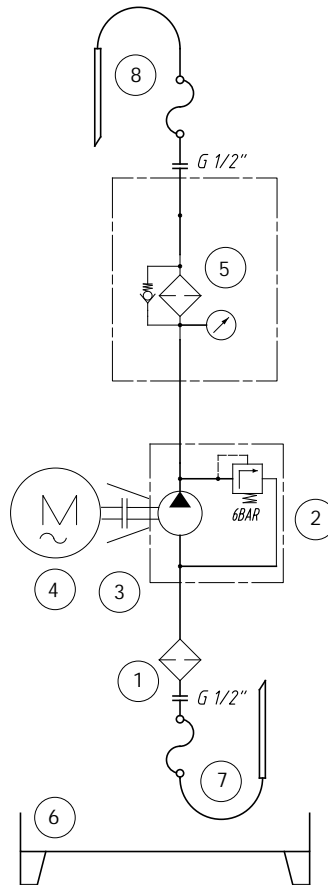
TECHNICAL AND DIMENSIONAL DATA	VALUES
Power	0,25 Kw
Drive	Electrical, single phase
Supply voltage	230 V –50/60 Hz
Electric motor	2 poles, type B3/B5
Overall dimensions (LxPxH)	290x368x533 mm
Weight	16 Kg
Max working pressure	5 bar
Max pump flow rate	15 l/min
Hydraulic oil	ISO table Cat.H
Hydraulic oil viscosity	Da 10 cSt. a 220 cSt.

**The unit is suitable for use in environment with presence of dust or fluids, protection degree IP54; it is NOT suitable for use in hazardous areas Ex (re. ATEX directive).**

### 3 ELECTRICAL SCHEME



## 4 HYDRAULIC SCHEME



## 5 COMPONENT LIST

POS	ITEM	DESCRIPTION
1	B72020013000000	Suction filter "Y"
2	P1110711920000	Gear pump 15 l/min.
3	99140ME4F1UN + 994Y1UN + 990411 + 99S04	Motor-pump coupling arrangement
4	M1620631002518	Single phase electric motor 0,25 kw with pushbutton
5	FA120000BB6RMPB	Filter Head
5.1	A120xxx / A121xxx / A150xxx	Filter element
5.2	04.006.00151	Pressure Gauge -MPB
6	A170DC10266801	Base Frame
7	T6032316000000	Suction pipes in Armorvin + lance
8	T6032313000000	Delivery pipes in Armorvin + lance

## 6 MOVING THE UNIT

Personal protective equipment to be used:

- Gloves: mechanical risks (EN 388): resistance to abrasion
- Shoes with steel toe cap (UNI 8615/2 – EN 345)



Lift the unit to transport it.



Put down the unit checking carefully that it is in vertical and stable position on the support surface.



In case of handling by third devices (e.g. hoists) the unit must be held or fixed properly.



Fit the filter element, having the filtration degree suitable to get the target cleanliness level.

## 7 INSTRUCTIONS OF USE

Personal protective equipment to be used:

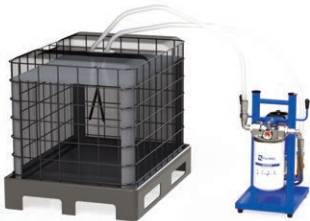
- Gloves:
  - mechanical risks (EN 388): resistance to abrasion
  - chemical risks (UNI EN 374): see the safety data sheet of the fluid used.
- Shoes with steel toe cap (UNI 8615/2 – EN 345)
- Protective glasses (EN 166 CE)



After making sure that the power supply meets the voltage and frequency required, insert the plug into the mains power socket.

### FILTRATION:

In this case insert and position the suction and delivery lances in the drum of oil to be filtered.



Make sure that the nozzles mark below the oil level in order to avoid foam formation and possible cavitations; space the ends of the two lances as far as possible, also fixing them at different heights, in order to make all the fluid circulate and not create an emulsion. Usually in containers equipped with only one the lances should be in an X position.

### TRANSFER:

Insert the suction pipe into the oil to be sucked (tank or drum) making sure that the rigid end part (lance) is immersed and well fixed.

Place the delivery pipe in the tank of the hydraulic system to be filled or in another drum and secure the pipe. Make sure that the lances remain below the oil level in order to avoid foaming and possible pump cavitations.







Push the button on “I” to start the unit.



Push the button on “0” when the operation is finished.

**WARNING:** the unit must be used with open outlet only.

**WARNING:** make sure that during operation the inlet hose is always filled by the oil, that its direction is toward the pump and has no obstruction is present. Stop operation of the unit using the button when finished.

**WARNING:** in case of EMERGENCY push the stop button “0”.



When the operation is completed, rewind the power cable, inlet and outlet hoses.

Be careful when draining the oil contained in them and insert the ends of the hoses into the cases.



Unplug the main power socket from the generator.

**WARNING:** Avoid that the pump works for a long time in absence of oil, to prevent wear.

## 8 MAINTENANCE

Personal protective equipment to be used:

- Gloves:
  - mechanical risks (EN 388): resistance to abrasion
  - chemical risks (UNI EN 374): see the safety data sheet of the fluid used.
- Shoes with steel toe cap (UNI 8615/2 – EN 345)
- Protective glasses (EN 166 CE)

### BEFORE ANY SERVICING



**MAKE SURE THAT THE UNIT IS DISCONNECTED FROM THE POWER POINT**



**VERIFY THAT THE HOSES ENDS ARE INTO THEIR CASES**



**ALWAYS WORK OVER A COLLECTION BOWL TO AVOID SPILL OF OIL** (see the safety data sheet of the oil used)

#### **WARNING:**

in order to preserve the functionality of the hoses the unit must be stored in a suitable place, avoiding prolonged exposure to the sun or at temperatures below 0° C.

### 8.1 FILTER MAINTENANCE



The inline filter has a clogging indicator (pressure gauge), the cartridge must be replaced when the pointer reaches the red sector.

### 8.1.1 FILTER ELEMENT REPLACEMENT

Disconnect the power plug of the unit.

Make sure to have available a bowl to collect the oil dropping during the operation.



Ensure that there is no residual pressure in the filter. Unscrew the cartridge by turning it anticlockwise.



Verify the correct part number of the FILTREC replacement cartridge, particularly concerning the micron rating. Ensure that the mounting face is clean, lubricate the gasket of the replacement cartridge prior to assembly. Spin on new cartridge until it reaches the mounting face and tighten for 3/4 turn.



## 9 FILTER ELEMENT DISPOSAL

Make sure that the logge filter element, any residual oil in the IN and OUT hoses and the collected spilled oil are disposed according to the local laws.

## 10 PERIODIC AND EXTRAORDINARY MAINTENANCE

CHECK	FREQUENCY
Visual check of seals and hoses	Monthly
Filter element replacement	When the clogging indicator shows
Check of electrical components (Cables, plug, grounding, pushbutton, contactor) by specialized personnel	Monthly
Replacements of hoses	Before each use the operator must check the correct conditions of the hoses
Safety relief valve: check of integrity and functionality	Every 10 years

**For any servicing not mentioned at par.7, particurarly concernig: pump, motor, relief valve and hoses contact the Manufacturer.**

## 11 IN CASE OF ANOMALY

1. The Customer must inform the Manufacturer of any problem or defect detected.
2. The Customer can make any intervention only if authorized by the Manufacturer and following their instructions.
3. THE WARRANTY IS NOT VALID i fan intervention is made on the unit without the Manufacturer's authorization.
4. THE WARRANTY IS NOT VALID if the Manufacturer detects any tampering or modifications to the unit devices.
5. THE WARRANTY EXPIRES in case of failures occurred due to carelessness, negligence or inexperience of the operator.

**The Manufacturer declines all responsibility on tampered units and accidents due to improvised and not trained operator.**

## 12 WARRANTY

- The units are subjected to a rigorous test before shipment.
- WARRANTY against any manufacturing defect: under normal conditions of use and maintenance, the unit is guaranteed for 12 months from the date of delivery.

### 13 EC DECLARATION OF CONFORMITY



Dichiarazione CE di Conformità  
(secondo Allegato II.A della direttiva 2006/42/CE)

EC Declaration of conformity  
(according to Attachment II.A of EC Directive 2006/42/CE)

Il Fabbricante:

The Manufacturer:

*FILTREC S.p.A.*

*Via dei Morenghi, 1*

*24060 – Telgate (BG) – ITALIA*

*Tel. +39 0358369001*

*www.filtrec.com*

dichiara sotto al propria responsabilità che le unità portatili di travaso e filtrazione  
declare under its own responsibility that the transfert and filtration units:

<i>Denominazione / Denomination</i>	<i>Unità portatile di filtrazione e trasferimento Transfert and filtration portable unit</i>
<i>Modello / Model</i>	<b><i>FUH015MGOBS0</i></b>

Sono conformi a tutte le disposizioni pertinenti della:

Conforms with all the relevant specifications of:

Direttiva Macchine 2006/42/CE - Machinery Directive 2006/42/CE

Direttiva Compatibilità Elettromagnetica 2014/30/UE - Electromagnetic Compatibility Directive 2014/30/UE

Normative Armonizzate Applicate:

Applied harmonized standards:

**UNI EN ISO 12100:2010**

**UNI EN ISO 13857:2020**

**UNI EN ISO 13732-1:2009**

**UNI EN ISO 4413:2012**

**IEC EN 60204-1:2018**

Persona autorizzata a costituire il fascicolo tecnico / Authorized Person to issue the technical dossier: **FILTREC S.p.A.**

Indirizzo / Address: **Via dei Morenghi, 1 – 24060 TELGATE (BG) Italy**

Telgate (BG),  
08/09/2023

Legale Rappresentante di **FILTREC S.p.A.**  
Legal Representative of **FILTREC S.p.A.**

Modina Sergio



## 14 SPARE ELEMENTS

### ORDERING INFORMATION SPARE ELEMENTS

1. 2. 3.

**A1 20 G10**

1. FILTER ELEMENT SERIES	A1		
2. FILTER SIZE	20-21	connection threads G 1 1/4"	
	50	connection threads 1 1/2"-16 UN	
3. FILTER MEDIA	G10	glassfiber $\beta_{12\mu m(c)} > 1.000$	AVAILABLE FILTER MEDIA FOR A120-A121
	G25	glassfiber $\beta_{22\mu m(c)} > 1.000$	
	C25	paper $\beta_{25\mu m(c)} > 2$	
	CW25	paper $\beta_{25\mu m(c)} > 2$ + water absorbent	
	G03	glassfiber $\beta_{5\mu m(c)} > 1.000$	AVAILABLE FILTER MEDIA FOR A150
	G06	glassfiber $\beta_{7\mu m(c)} > 1.000$	
	G10	glassfiber $\beta_{12\mu m(c)} > 1.000$	
	G25	glassfiber $\beta_{22\mu m(c)} > 1.000$	
	GW03	glassfiber $\beta_{5\mu m(c)} > 1.000$ + water absorbent	
	GW06	glassfiber $\beta_{7\mu m(c)} > 1.000$ + water absorbent	
	GW10	glassfiber $\beta_{12\mu m(c)} > 1.000$ + water absorbent	
	GW25	glassfiber $\beta_{22\mu m(c)} > 1.000$ + water absorbent	
	C25	paper $\beta_{25\mu m(c)} > 2$	
	CW25	paper $\beta_{25\mu m(c)} > 2$ + water absorbent	

**FILTER ELEMENT** - Preferred models - For the complete range of elements available, refer to the FA1 series catalog for size 20 and 21, and catalog FAH-A150 for size 50.

**15 USED FILTER ELEMENTS LOGBOOK**

DATE FIT IN	ELEMENT PART NR.	REPLACEMENT DATE	NOTES



**For any questions please contact:**

**FILTREC S.p.A.**

24060 TELGATE (Bergamo) ITALY

Via dei Morengi, 1 - [www.filtrec.com](http://www.filtrec.com)

Tel. +39 035 8368001 - Fax +39 035 831925

E-Mail: [info@filtrec.it](mailto:info@filtrec.it)