



FLOWFIT® FFPMV MOTORS



Low speed high torque orbital motors are specifically engineered to deliver powerful rotational force at reduced speeds. Also known as geroler motors. These motors are suitable replacements for Sauer Danfoss OMV motors. The FFPMV is our most powerful low-speed, high-torque motor in our range.

Type		FFPMV 315	FFPMV 400	FFPMV 500	FFPMV 630	FFPMV 800	FFPMT 1000
Displacement (ml/r)		314.9	399.7	496.6	617.8	787.4	969.1
Max Pressure Drop (Bar)	Cont.	200	200	200	180	160	140
	Int.	240	240	240	210	180	160
	Peak	280	280	280	240	210	180
Max Torque (N.m)	Cont.	873	1108	1385	1570	1773	1900
	Int.	1119	1440	1783	1951	2122	2133
	Peak	1293	1650	2060	2249	2481	2399
Speed Range (Cont.) (r/min)		10-475	9-375	8-300	6-238	5-187	5-154
Max Flow (Cont.) (r/min)		150	150	150	150	150	150
Max Output Power (Cont.) (Kw)		32	32	32	32	32	24
Weight (Kg)		30.7	31.5	32.4	33.6	35.2	37.2

Intermittent operation the permissible values may occur for max. 10% of every minute
 Peak Load: the permissible values may occur for max. 1% of every minute



PERFORMANCE DATA

FFPMV315

Pressure (Bar)

Max Cont. Max int.

		35	70	100	140	180	200	240
Flow (L/min)	10	132 82	278 25	416 24	576 23	701 21	799 18	945 15
	20	145 58	297 57	440 56	601 55	744 54	846 51	1011 47
	50	141 153	295 152	439 150	618 148	770 145	884 141	1051 134
	75	135 233	287 231	433 228	607 223	771 219	888 214	1057 206
Max Cont.	100	129 311	281 309	427 307	601 304	765 299	885 294	1047 286
	125	116 389	270 387	418 385	592 382	755 378	870 372	1033 365
	150	108 471	260 469	411 467	581 462	745 455	856 447	1019 465
	160	101 503	253 501	406 497	575 493	737 487	846 478	1011 465
Max int.	200	77 631	235 629	389 624	560 618	716 610	823 598	989 576

Torque: 235 Nm
Speed: 629 r/min

FFPMV400

Pressure (Bar)

Max Cont. Max int.

		35	70	100	140	180	200	240
Flow (L/min)	10	175 21	367 21	542 20	740 19	923 18	1050 17	1233 15
	20	187 46	380 46	563 45	778 44	964 42	1099 41	1284 39
	50	191 119	384 118	575 118	803 117	992 115	1131 113	1364 108
	75	186 183	376 181	569 178	799 174	995 171	1133 165	1366 159
Max Cont.	100	164 247	367 246	566 244	789 242	988 238	1130 234	1359 225
	125	159 310	357 308	556 305	778 302	974 296	1123 288	1348 281
	150	151 372	344 371	533 369	764 366	962 361	1111 351	1326 340
	175	136 436	330 434	528 431	748 427	944 422	1092 415	1314 407
Max int.	200	113 498	316 496	511 492	735 485	924 477	1076 470	1294 460

Torque: 316 Nm
Speed: 496 r/min

FFPMV500

Pressure (Bar)

Max Cont. Max int.

		35	70	100	140	180	200	240
Flow (L/min)	10	232 18	448 18	667 17	919 17	1140 16	1296 14	1540 11
	20	235 38	480 37	707 37	961 35	1180 34	1335 33	1588 30
	50	230 97	479 96	726 95	982 94	1217 92	1388 89	1670 84
	75	223 146	477 145	720 143	987 141	1234 138	1413 133	1692 125
Max Cont.	100	218 197	470 195	717 193	983 190	1235 186	1410 181	1686 173
	125	211 247	463 246	711 244	971 241	1226 237	1399 233	1672 225
	150	193 300	445 299	693 296	966 293	1198 288	1369 282	1663 271
	175	174 350	427 349	681 347	955 343	1186 339	1347 334	1643 324
Max int.	200	154 401	405 400	648 398	933 395	1167 390	1327 382	1626 370

Torque: 405 Nm
Speed: 400 r/min

FFPMV630

Pressure (Bar)

Max Cont. Max int.

		35	60	90	120	150	180	210
Flow (L/min)	10	260 15	484 14	753 14	1020 13	1175 13	1436 12	1654 11
	20	267 30	512 30	778 29	1021 29	1219 28	1490 26	1738 24
	50	268 78	514 718	805 77	1054 74	1264 73	1559 71	1813 67
	75	250 118	508 117	800 114	1038 112	1253 110	1557 107	1821 101
Max Cont.	100	245 157	499 156	794 154	1013 152	1251 149	1552 146	1822 140
	125	233 198	478 197	776 195	993 193	1238 191	1538 187	1808 181
	150	222 238	459 237	757 236	985 234	1233 232	1530 229	1787 221
	175	195 279	450 278	738 277	975 274	1205 270	1517 265	1769 260
Max int.	200	169 320	435 320	696 318	944 316	1187 313	1493 306	1746 294

Torque: 435 Nm
Speed: 320 r/min



PERFORMANCE DATA

FFPMV800

Pressure (Bar)

Max Cont. Max int.

		25	50	80	100	130	160	180
Flow (L/min)	10	273 11	555 10	816 10	1076 9	1381 8	1683 8	1882 7
	20	277 23	561 22	831 22	1330 21	1431 20	1753 18	1960 16
	50	283 61	572 60	841 58	1142 57	1438 55	1760 53	1967 49
	75	264 93	570 92	840 91	1145 89	1440 85	1756 82	1962 78
	100	247 124	556 123	826 122	1121 120	1423 117	1737 113	1951 107
	125	238 188	517 186	794 184	1083 181	1377 177	1685 172	1926 166
Max Cont.	150	232 188	517 186	794 184	1083 181	1377 177	1685 172	1926 166
	175	211 251	495 249	780 247	1061 244	1354 241	1669 236	1903 229
Max int.	200	194 302	460 301	752 300	1045 298	1339 293	1652 288	1807 282

Torque: 235 Nm
Speed: 629 r/min

FFPMV1000

Pressure (Bar)

Max Cont. Max int.

		25	50	70	100	140	160
Flow (L/min)	10	305 9	627 9	951 9	1371 8	1936 7	2212 6
	20	313 29	634 28	957 27	1380 26	1938 23	2222 21
	50	319 48	641 47	971 46	1392 44	1973 42	2232 39
	75	311 74	629 73	966 72	1395 69	1961 67	2228 64
	100	303 100	621 99	962 97	1388 95	1952 92	2196 88
	125	297 126	611 125	955 123	1379 120	1946 116	2177 112
Max Cont.	150	272 152	589 151	941 149	1339 147	1922 143	2162 136
	175	258 178	568 176	926 174	1310 170	1885 165	2114 158
Max int.	200	163 245	502 242	849 238	1240 234	1787 230	1991 223

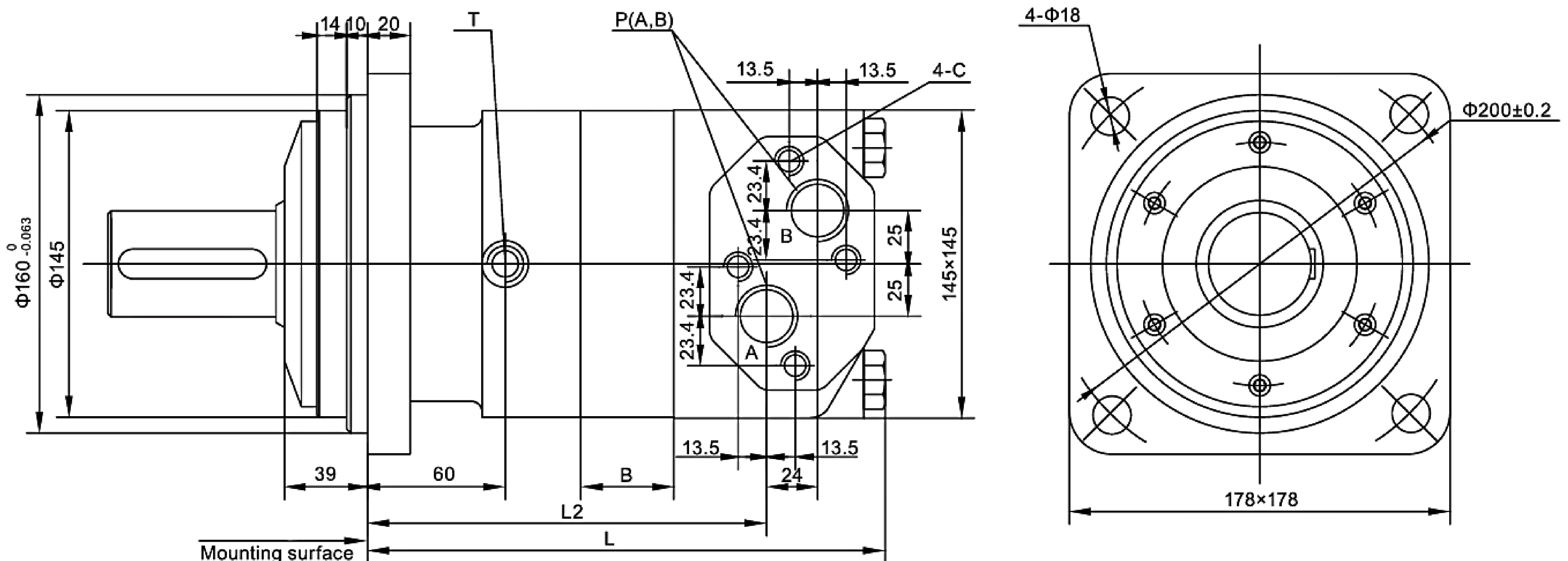
Torque: 502 Nm
Speed: 242 r/min





PERFORMANCE DATA

Square Flange



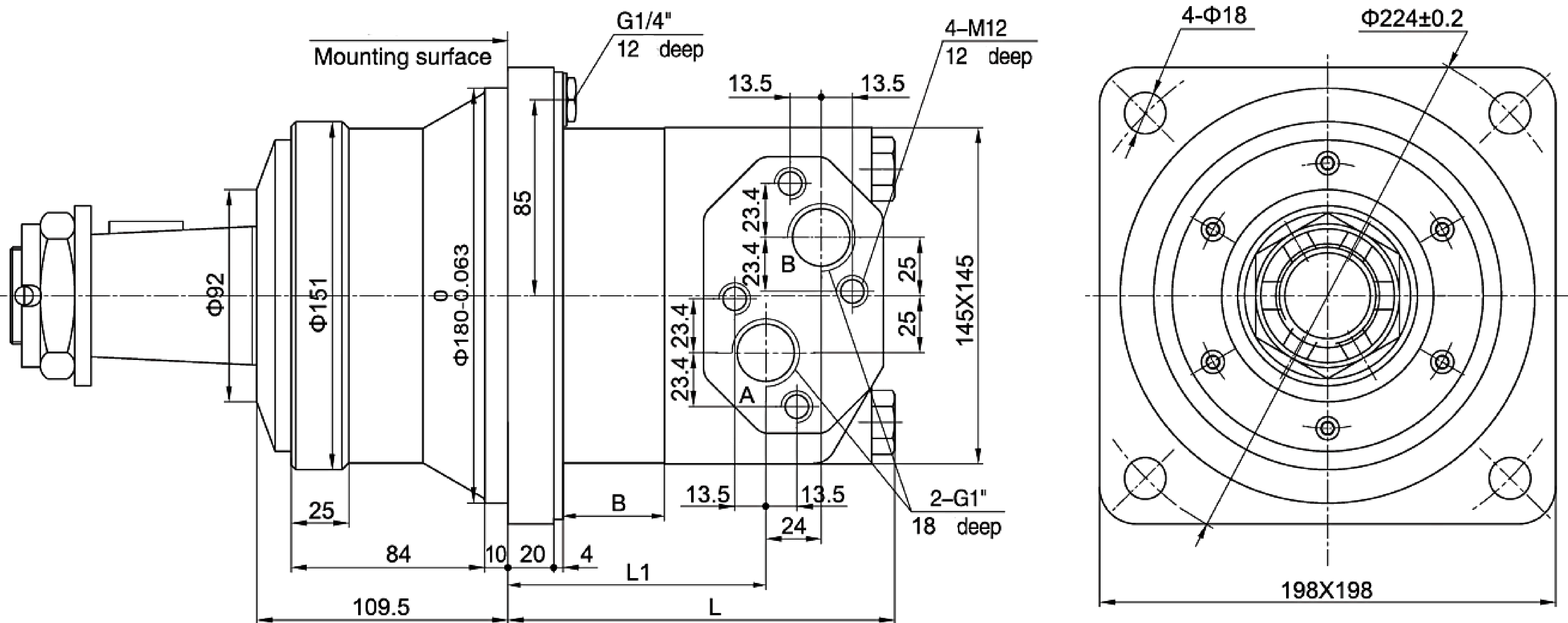
Type	FFPMV 315	FFPMV 400	FFPMV 500	FFPMV 630	FFPMV 800	FFPMV 1000
L	214	221	229	239	253	268
L2	156	163	171	181	195	210
B	19	26	34	44	58	73

P(A,B)(deep) Ports	C (deep) - Mounting Thread	T (deep) - Drain Connection
G1" BSP (18)	M12 (12)	G1/4 BSP (12)



PERFORMANCE DATA

W - Wheel Mount Flange

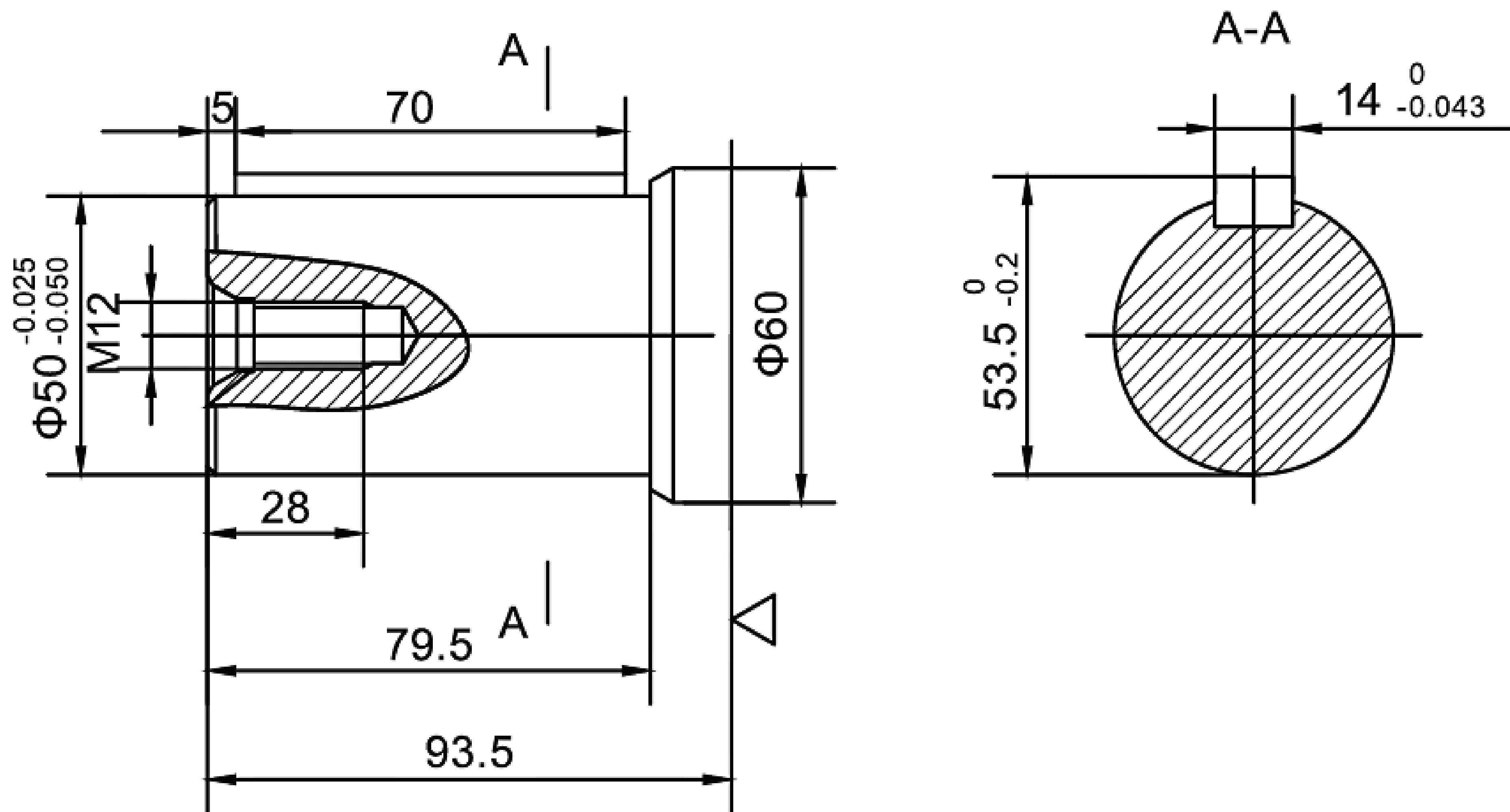


Type	FFPMV 315	FFPMV 400	FFPMV 500	FFPMV 630	FFPMV 800	FFPMV 1000
L	146	153	161	172	185	200.5
L1	86	93	101	111	125	140
B	19	26	34	44	58	73

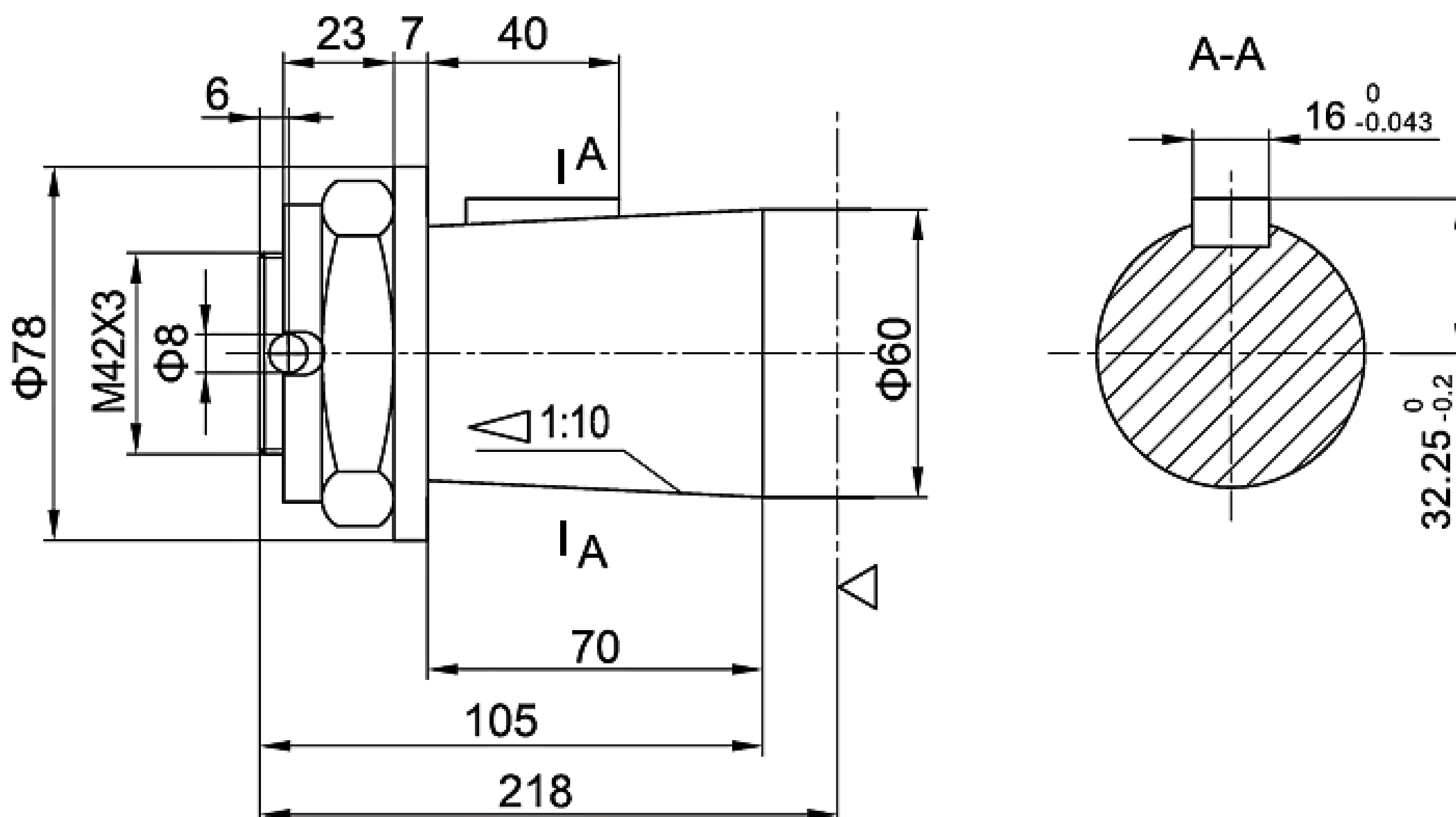


SHAFT VERSION

C - $\varnothing 50$ Cylindrical Shaft, Parallel Key 14 x 9 x 70



K- $\varnothing 60$ Tapered Shaft, Taper 1:10, Parallel Key 16 x 10 x 32



 : Motor mounting surface



ORDERING CODES

	1	2	3
FFPMV			

Pos.1	Mounting Flange
-------	------------------------

Omit - Square Flange

W	Wheel Mount Flange
---	--------------------

Pos.2	Displacement code
-------	--------------------------

315	314.9 cc/rev	800	787.4 cc/rev
400	399.7 cc/rev	1000	969.1cc/rev
500	496.6 cc/rev		
630	617.8 cc/rev		

Pos.3	Shaft Extensions
-------	-------------------------

C	Ø 50 Cylindrical Shaft, Parallel Key 14 x 9 x 70
---	--

K	Ø 60 Tapered Shaft, Taper 1:10, Parallel Key 16 x 10 x 32 Only available on wheel mount flange
---	---

All our motors are supplied with a black gloss phosphatizing finish, enhancing corrosion resistance and improving friction performance.