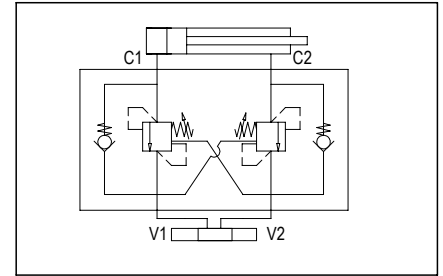
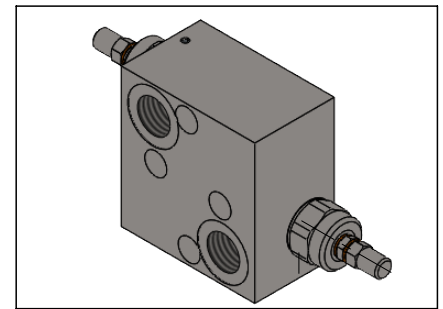
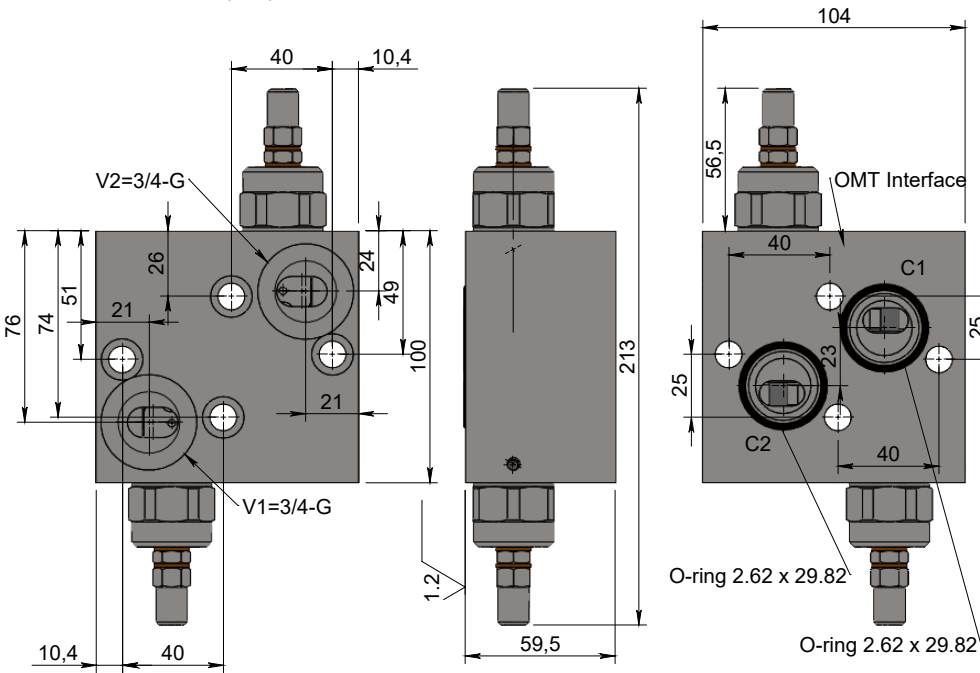
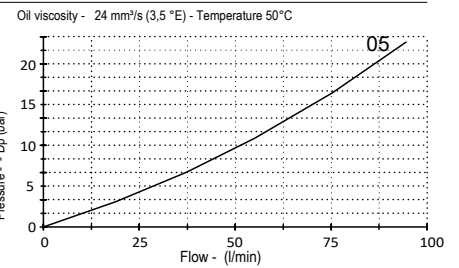


Double effect overcenter valve, OMT flangeable
Specifications

Fluid viscosity:		ISO 3448
Filtration:		ISO 4406
Fluid temperature:		-20°C +90°C
Ambient temperature:		-20°C +50°C
Max. operating pressure:		350 Bar
Max flow:		60 l/min
Manifold material:		Zinc plated steel
Standard seals:		NBR 70 Shore A

Hydraulic symbol

Dimensions (mm)

Performance
V to C

How to order
FFOCV34OMT

A = Std. 6.25:1
 B = 8:1
 C = 11:1

Pilot ratio

R = Steel cap (Std)
 N = Tamper proof cap

Adjustment option

Setting range	Std setting	P increase bar/turn
X = 30-210	- 200	- 70 (bar)
Y = 60-350	- 300	- 120 (bar)