

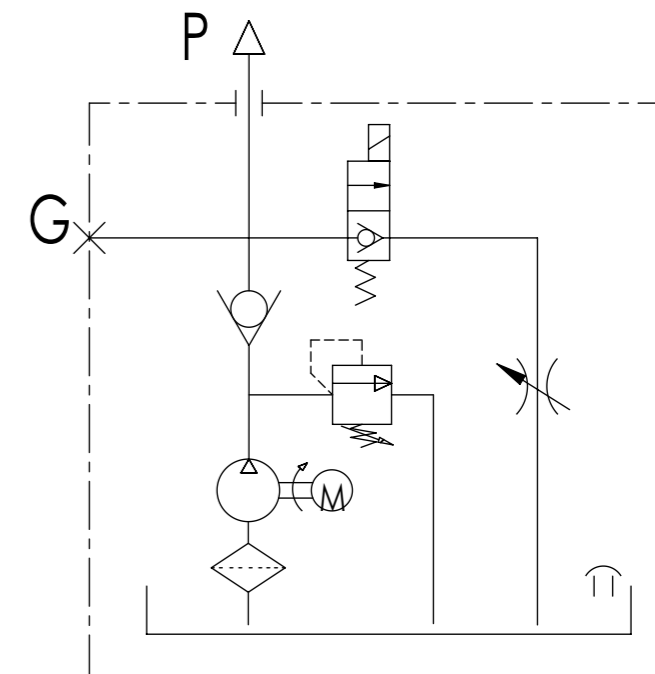
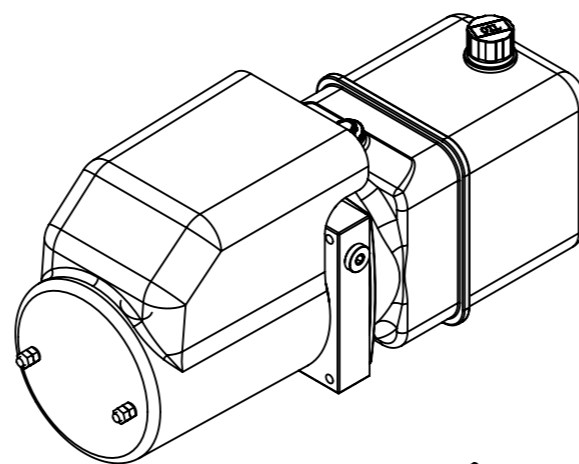
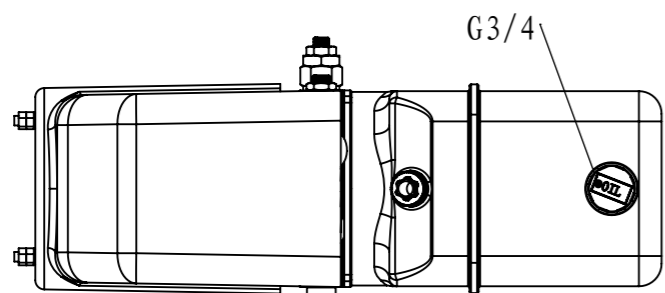
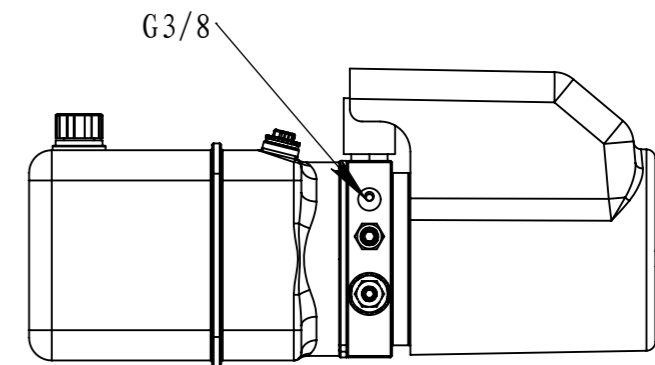
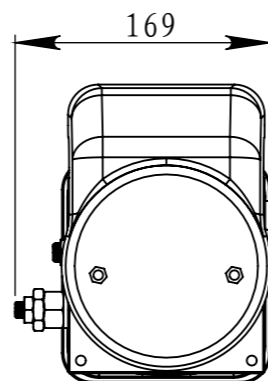
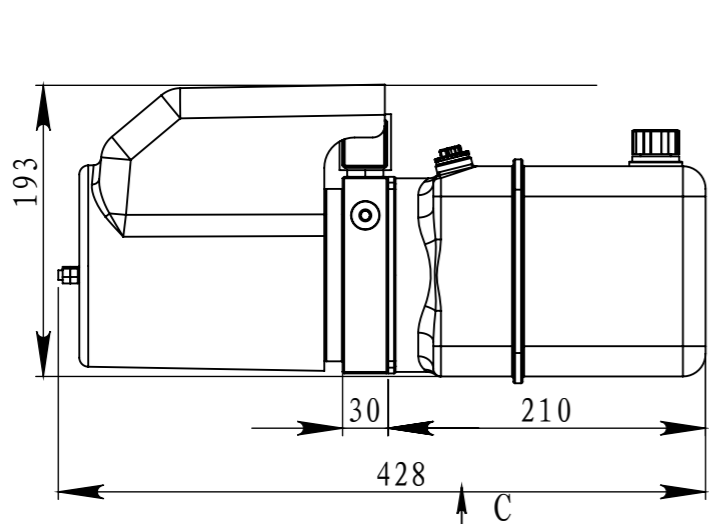
24VDC 1.6KW 2500rpm	24VDC	2.1cc/r	2.5L	160 Bar	G3/8"
Motor	Lowering coil Voltage	Gear Pump	Oil Tank	System Pressure	

FLOWFIT®

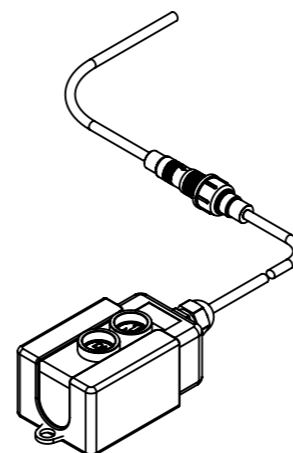
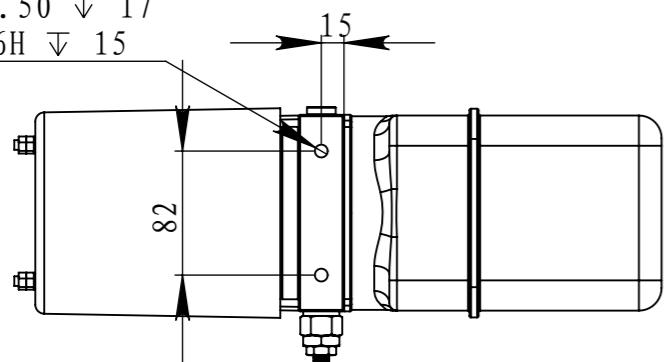


MANUFACTURERS AND SUPPLIERS OF HYDRAULIC COMPONENTS

PART NUMBER: ZZ016050



2 x \varnothing 8.50 ∇ 17
M10 - 6H ∇ 15



Everything Hydraulic