

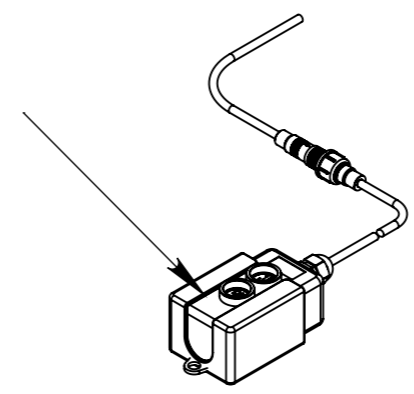
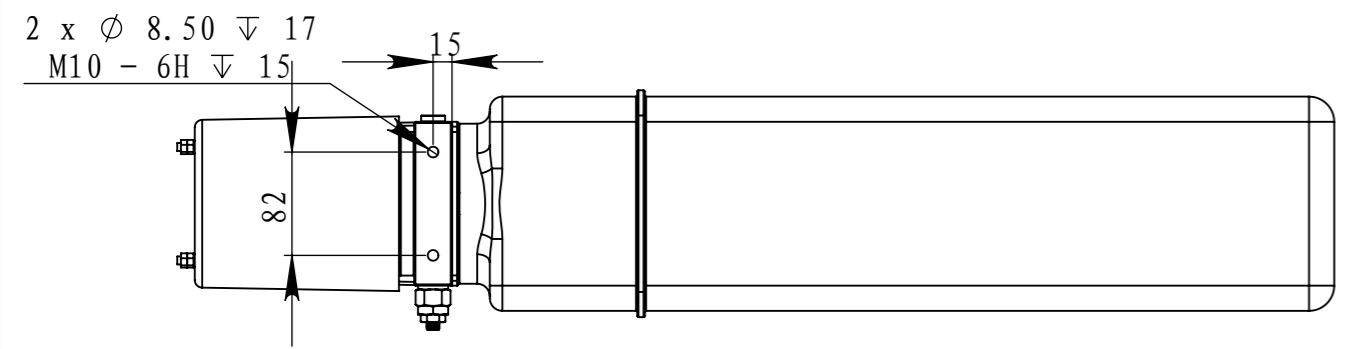
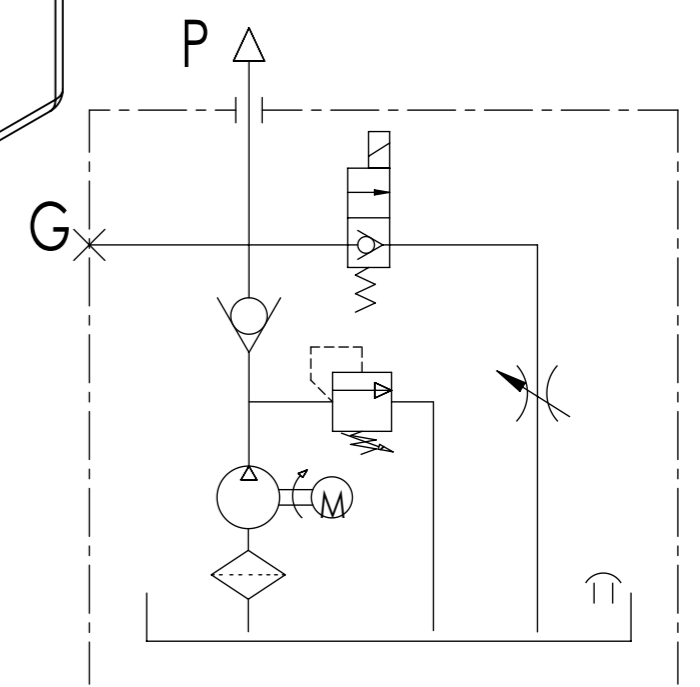
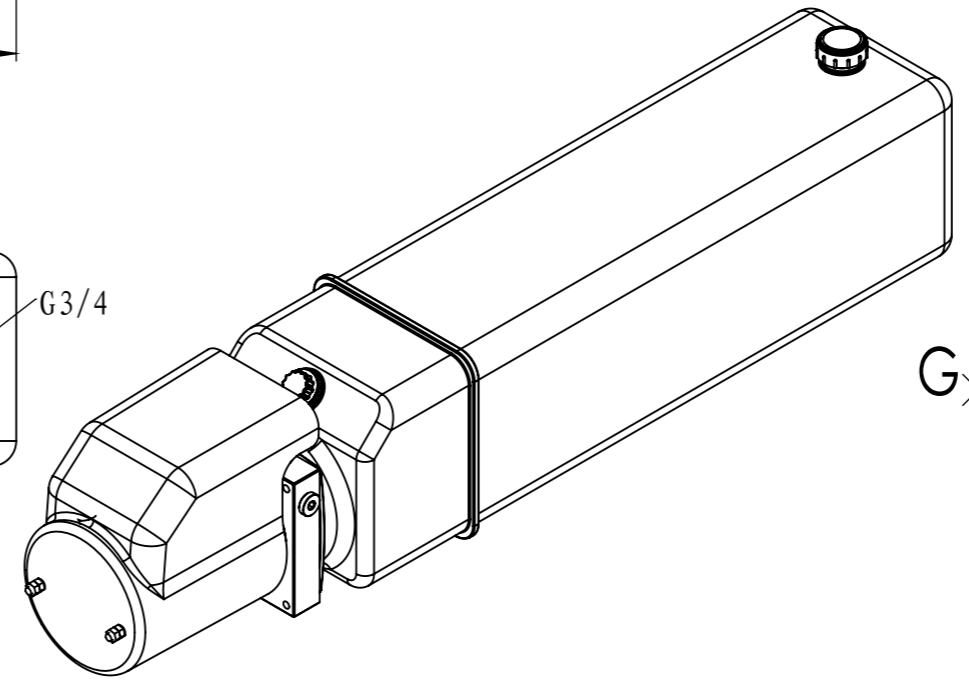
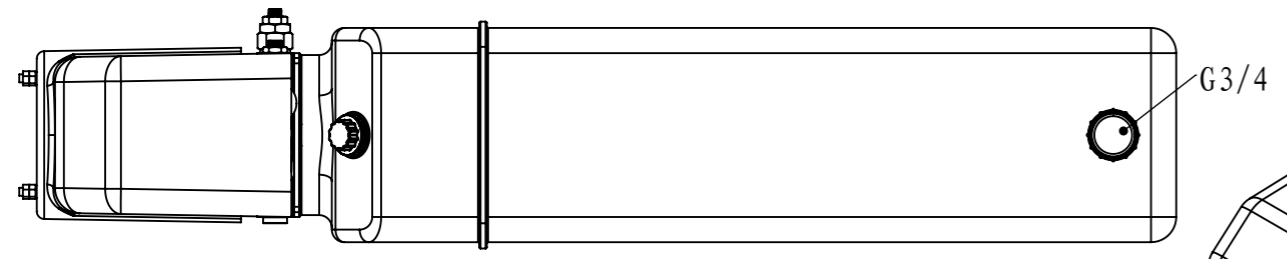
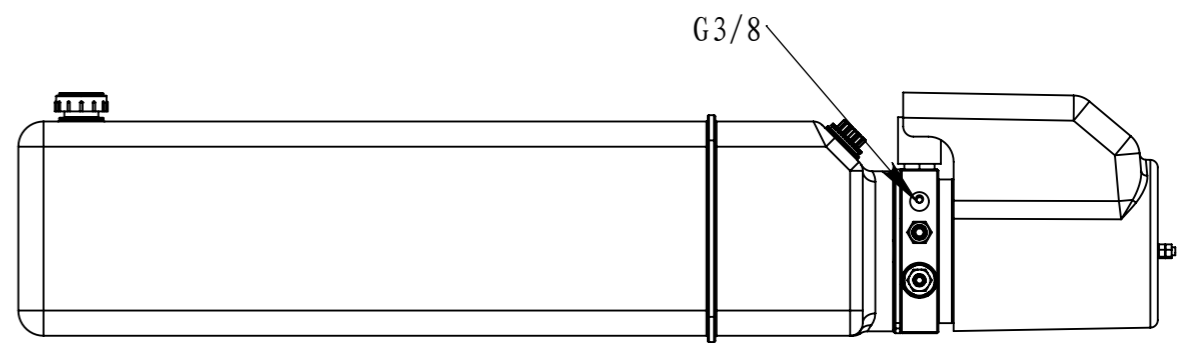
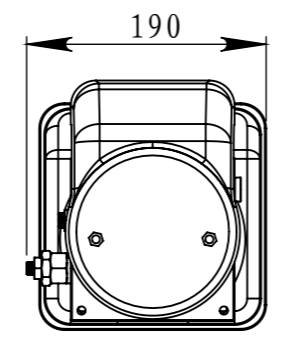
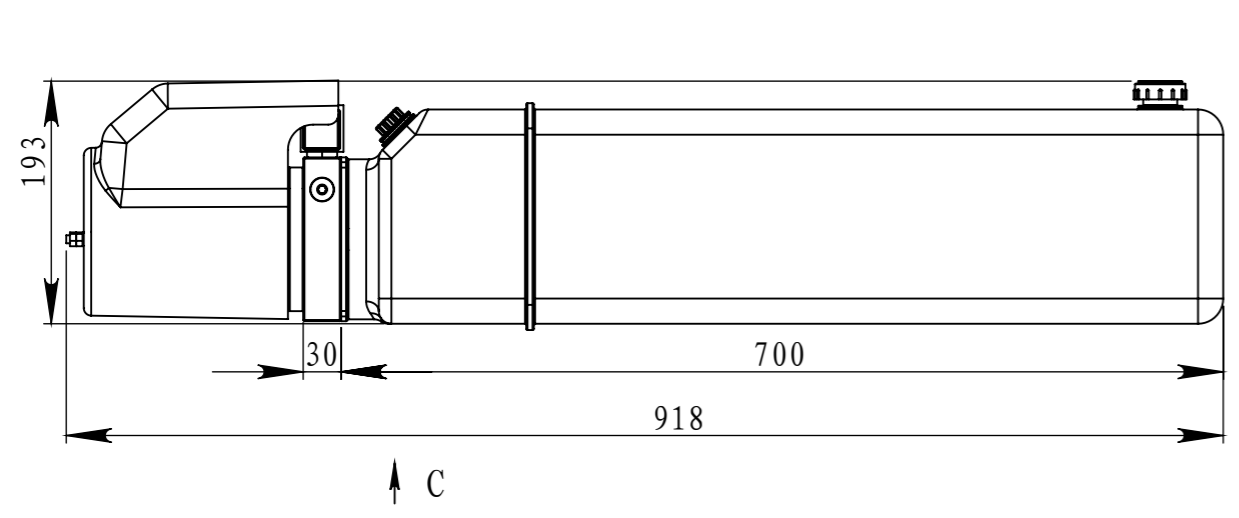
24VDC 1.6KW 2500rpm	24VDC	2.1cc/r	18L	160 Bar	G3/8"
Motor	Lowering Coil Voltage	Gear Pump	Oil Tank	System Pressure	

FLOWFIT®



**MANUFACTURERS AND SUPPLIERS
OF HYDRAULIC COMPONENTS**

PART NUMBER: ZZ016027



Everything Hydraulic