

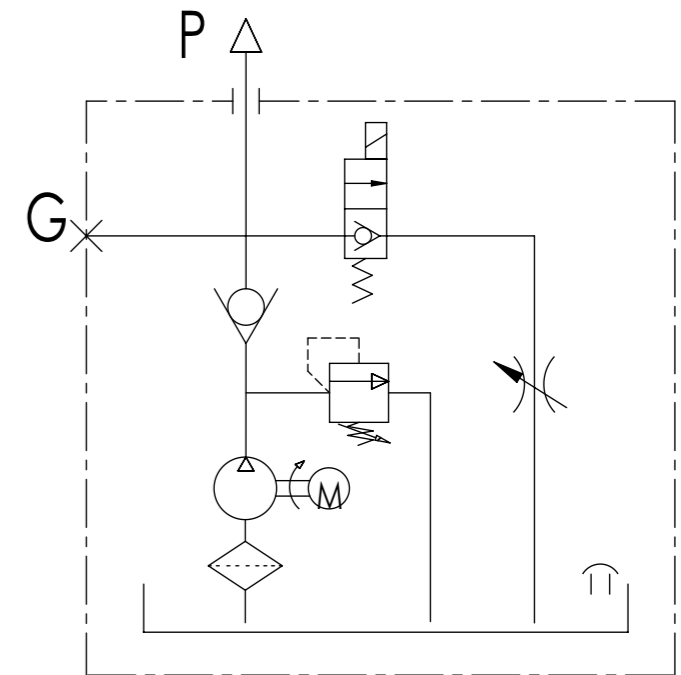
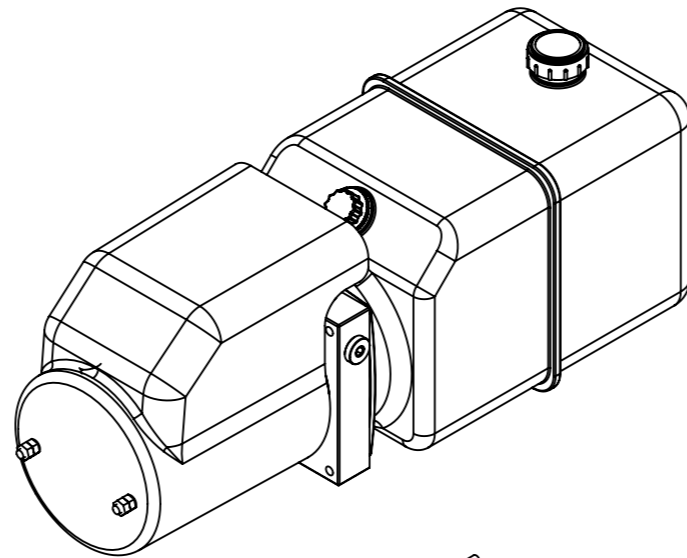
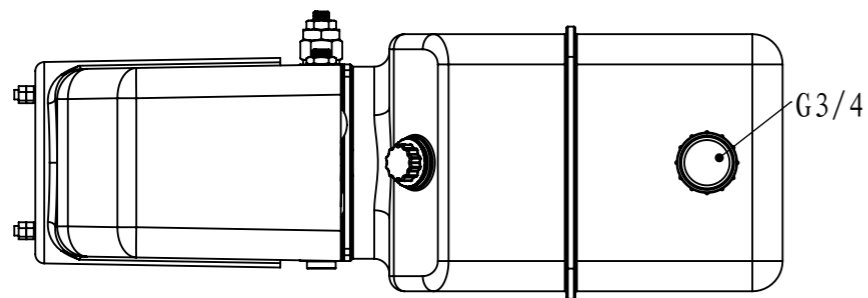
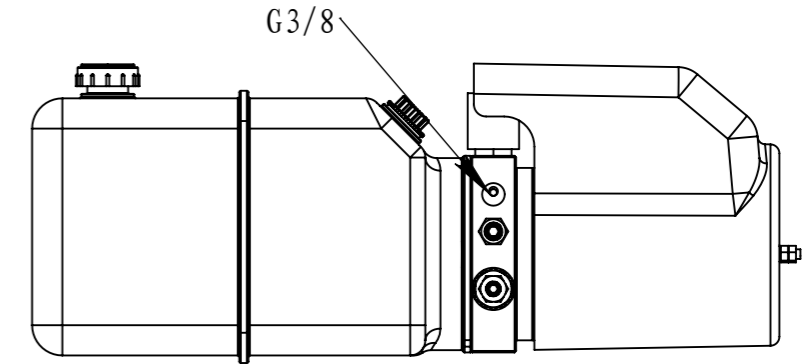
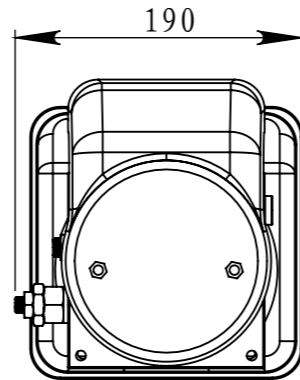
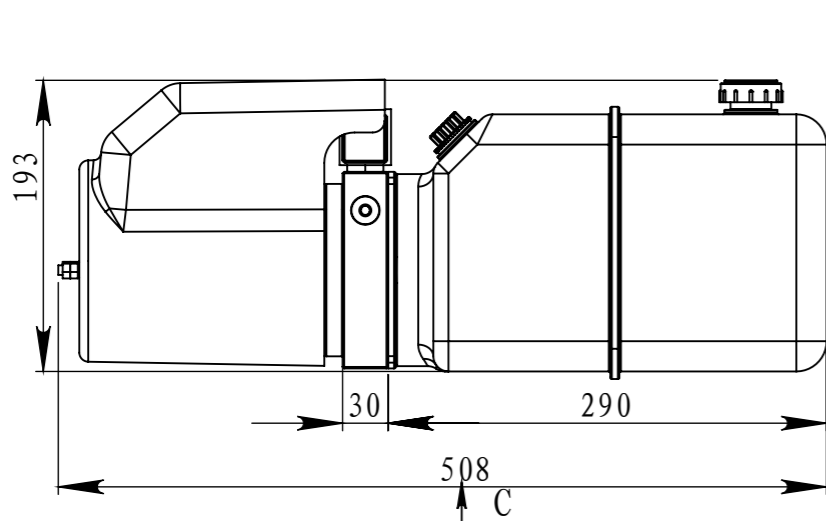
24VDC 1.6KW 2500rpm	24VDC	2.1cc/r	7L	160 bar	G3/8"
Motor	Lowering Coil Voltage	Gear Pump	Oil Tank	System Pressure	

FLOWFIT®

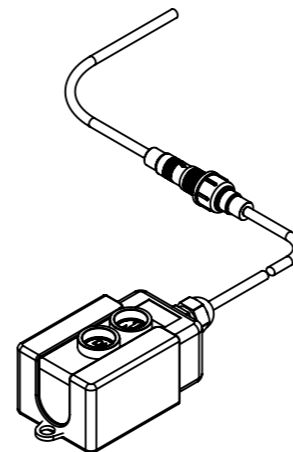
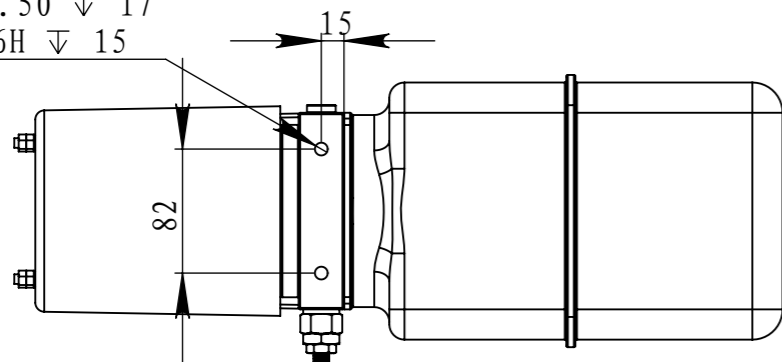


**MANUFACTURERS AND SUPPLIERS
OF HYDRAULIC COMPONENTS**

PART NUMBER: ZZ016021



2 x \varnothing 8.50 ∇ 17
M10 - 6H ∇ 15



Everything Hydraulic