

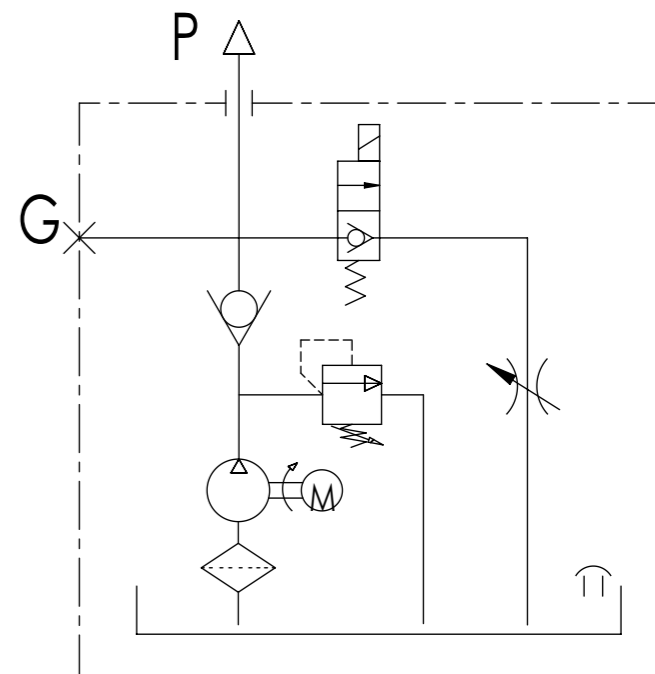
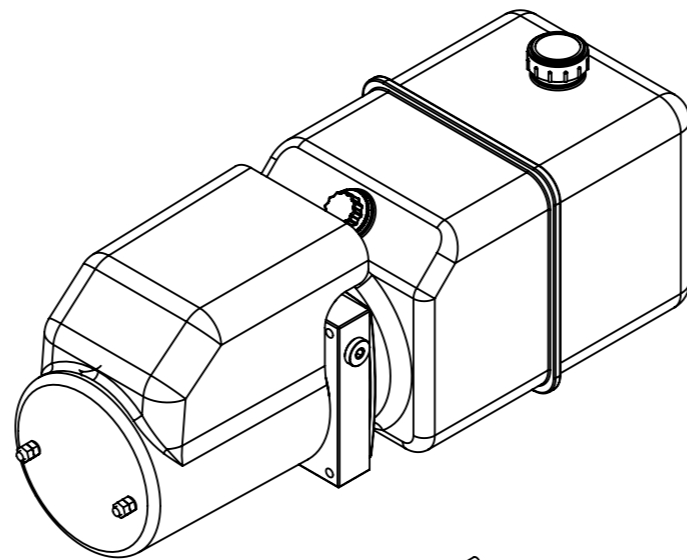
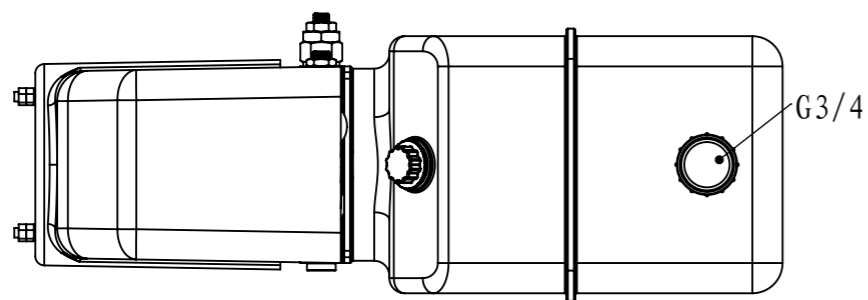
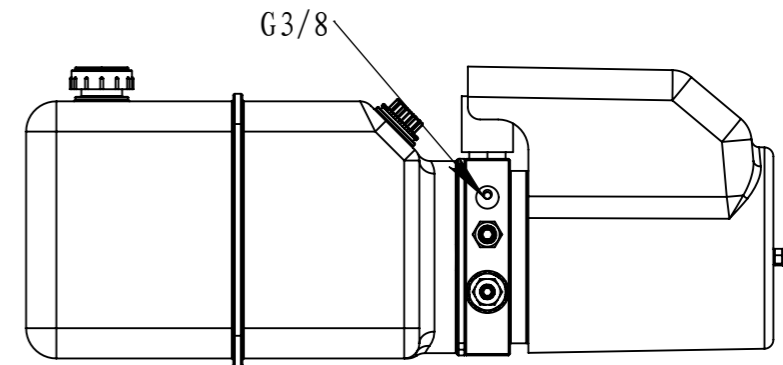
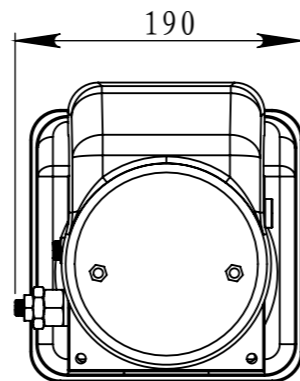
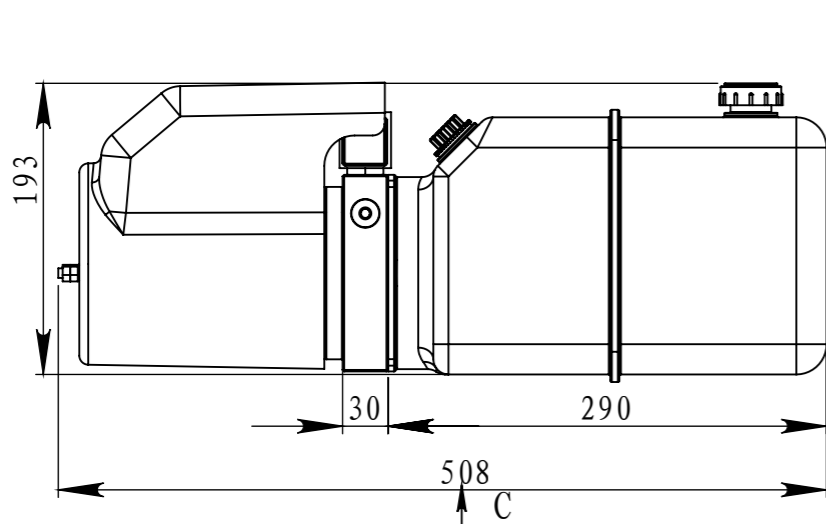
12VDC 1.6KW 2500rpm	12VDC	2.1cc/r	7L	160 bar	G3/8"
Motor	Lowering Coil Voltage	Gear Pump	Oil Tank	System Pressure	

FLOWFIT®

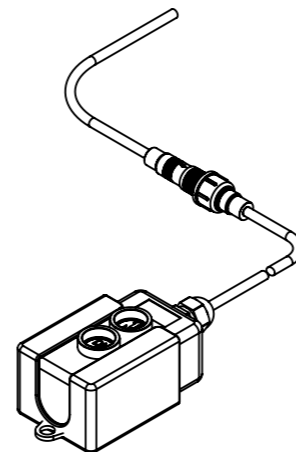
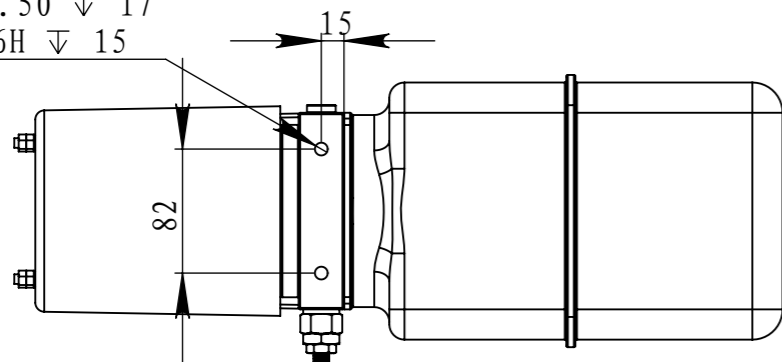


**MANUFACTURERS AND SUPPLIERS
OF HYDRAULIC COMPONENTS**

PART NUMBER ZZ016019



2 x \varnothing 8.50 ∇ 17
M10 - 6H ∇ 15



Everything Hydraulic