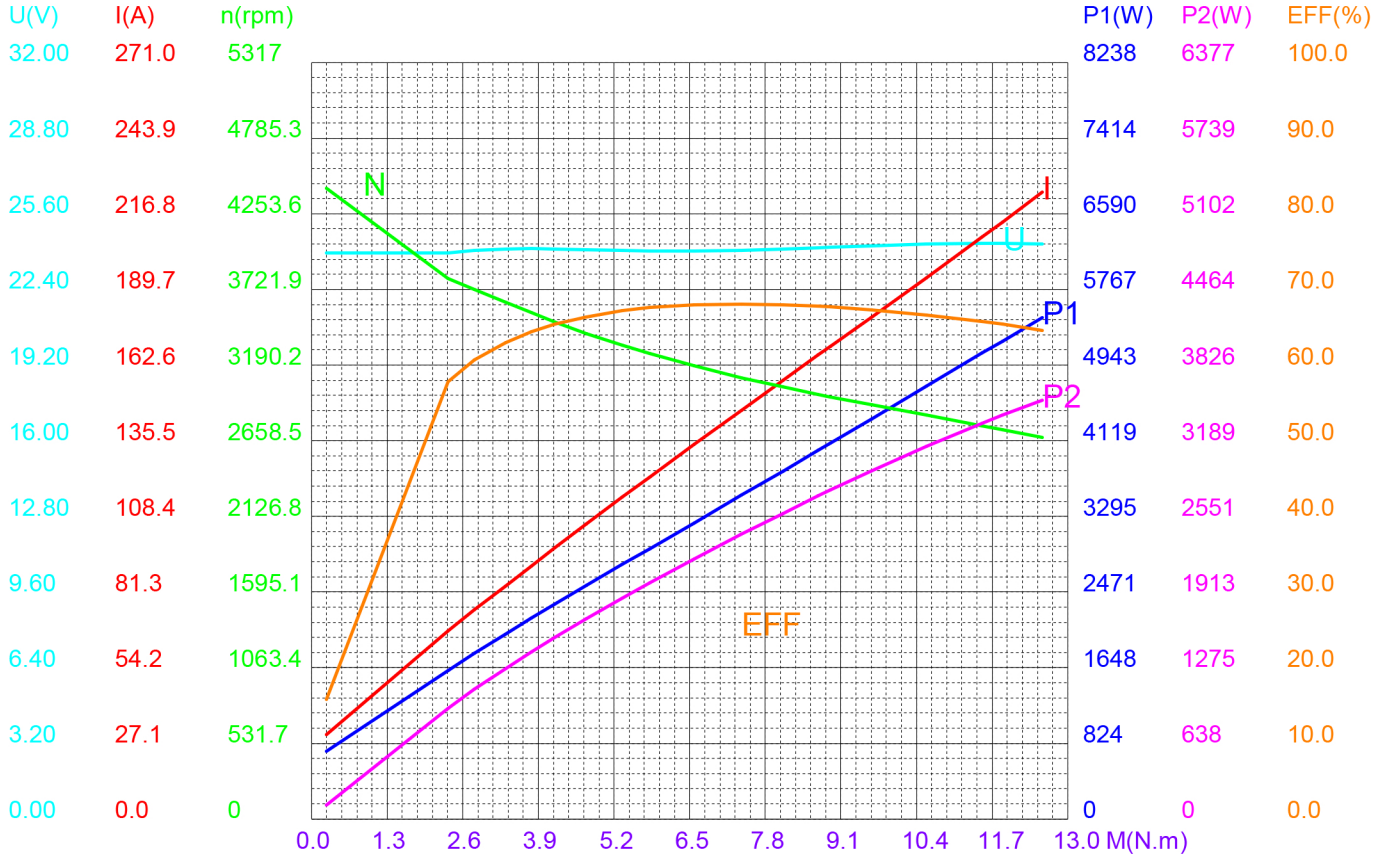


(Customer):
 (NO): ZD2373D
 (Number): 140617-3
 (Tester): 6

(Voltage): 24(V)
 (Power Rated): 3000(W)
 (Speed Rated): 2800R/MIN
 (Test Date): 2014-06-17



(Parameter)

(Unload):

(n) = 4431(rpm)
 (I) = 30.120(A)

(Max_Torque)

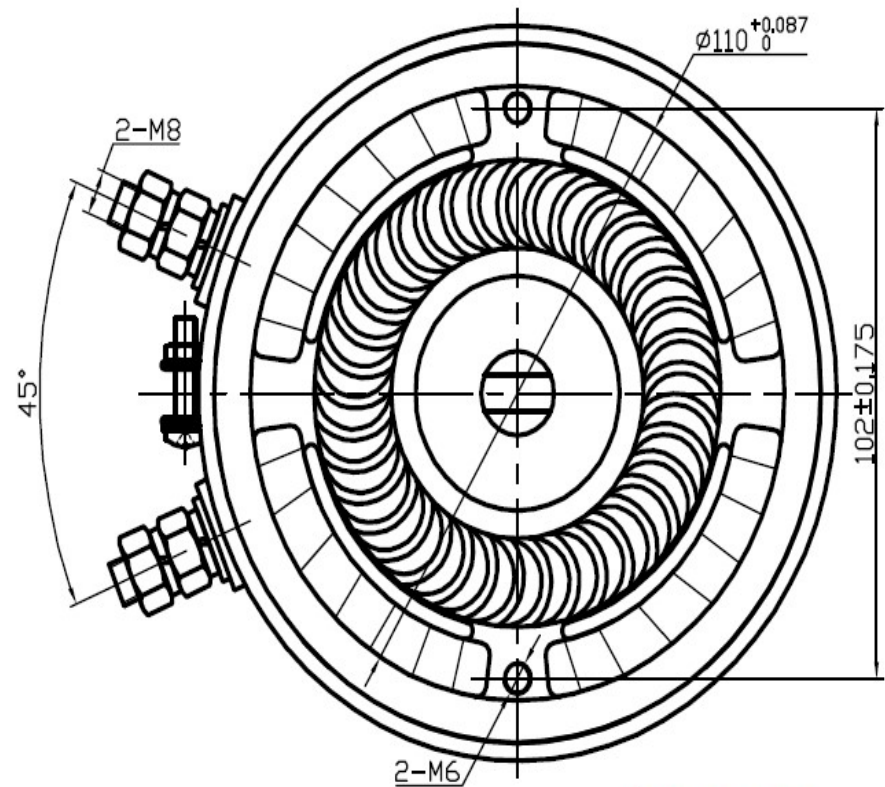
(M) = 12.560(N.m)
 (I) = 224.510(A)
 (n) = 2681(rpm)
 (Eff) = 64.58(%)
 (P2) = 3526.90(W)

(Max_Efficiency)

(Eff) = 68.09(%)
 (n) = 3102(rpm)
 (M) = 7.390(N.m)
 (I) = 146.420(A)
 (P2) = 2399.10(W)

(Max_Pout)

(Eff) = 64.58(%)
 (n) = 2681(rpm)
 (M) = 12.560(N.m)
 (A) = 224.510(A)
 (P2) = 3526.90(W)



DC24v, 3Kw
 CODE: ZD2373D

