

LH

# Reservoir Accessories

## Vent Screws with Splash Guard

### Material, surface finish:

Housing in black thermoplastic polyamide 66;  
 cap in red thermoplastic polyamide 66;  
 air filter in polyurethane (PU foam), filter fineness 50  $\mu\text{m}$ ;  
 flat packing in rubber (NBR)

### Note:

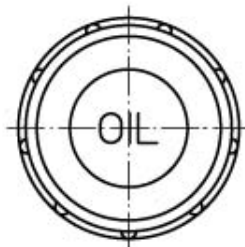
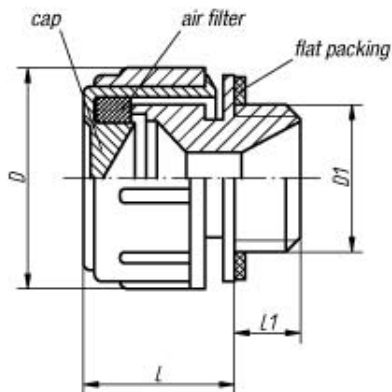
Temperature resistant with oil up to 100 °C, with water up to 70 °C.



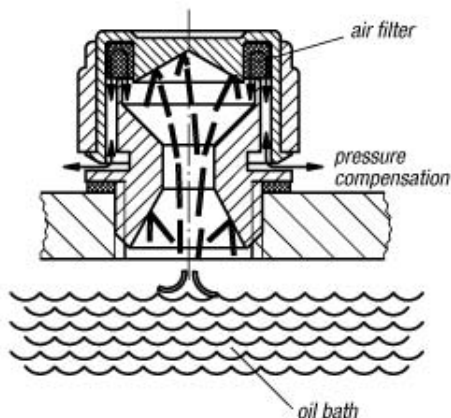
### Vent Screws with splash guard

Order No.	D	D1	L	L1	Approx. weight kg
K563630014	30	G 1/4	21	10	0,010
K563630038	30	G 3/8	21	10	0,010
K563630012	30	G 1/2	21	10	0,012

### Construction data



### splash guard



A gearbox running in an oil bath may cause oil to escape through the ventilation screw. To avoid this, the screw has been fitted with a splash guard. Only a part of the splashing oil passes through the taper bore. The remaining oil is deviated in such a way at the cap bottom that it returns without notably hindering the ventilation process.