

# Equal Union Bulkhead

## Equal Union Bulkhead

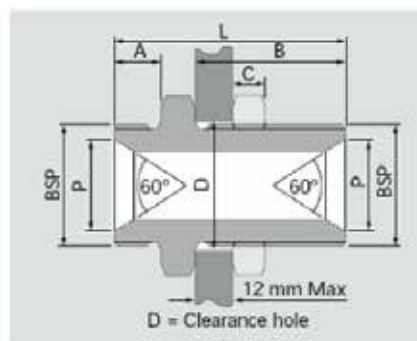
**Features:**

- High Working Pressure
- Mild Steel - High Grade Material
- Sealing face and threads machined to high tolerance
- High Level Corrosion Resistance Plating (CR3 compliant)
- Bonded Seal Centring Cone
- Available in Stainless Steel 316 or Cupro Nickel



**Benefits:**

- Highly resistant to leakage even under severe vibration, pressure pulsation and temperature



| Stud BSP | Part No  | A mm | B mm | L mm | C mm | D mm | P mm | Body A/F mm | Body A/C mm | Nut A/F mm | Max WP Bar |
|----------|----------|------|------|------|------|------|------|-------------|-------------|------------|------------|
| 1/4      | KREUBH4  | 11   | 29   | 48   | 6    | 15   | 11   | 19          | 21.9        | 19         | 680        |
| 3/8      | KREUBH6  | 13   | 32   | 54   | 7    | 18   | 14   | 22          | 25.4        | 22         | 680        |
| 1/2      | KREUBH8  | 16   | 35   | 60   | 8    | 23   | 18   | 27          | 31.1        | 27         | 680        |
| 5/8      | KREUBH10 | 16   | 35   | 60   | 8    | 24   | 19   | 33          | 38.1        | 33         | 680        |
| 3/4      | KREUBH12 | 19   | 38   | 68   | 9    | 28   | 23   | 33          | 38.1        | 32         | 680        |
| 1        | KREUBH16 | 21   | 41   | 75   | 10   | 35   | 29   | 41          | 47.4        | 41         | 500        |
| 1-1/4    | KREUBH20 | 21   | 45   | 79   | 14   | 43   | 37   | 50          | 57.8        | 50         | 500        |
| 1-1/2    | KREUBH24 | 25   | 48   | 89   | 15   | 49   | 43   | 55          | 63          | 55         | 500        |