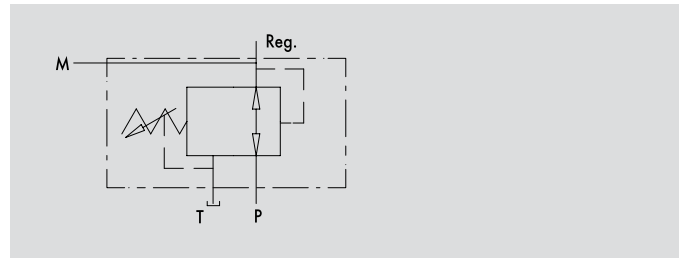


Pressure Reducing Valve, Direct Acting Popper

TIPO / TYPE
VRP

SCHEMA IDRAULICO
HYDRAULIC DIAGRAM



PRESSURE REDUCING VALVE, DIRECT ACTING POPJET

USE AND OPERATION:

This valve allows to preserve constant the pressure downstream, regardless of the upstream pressure.

MATERIALS AND FEATURES:

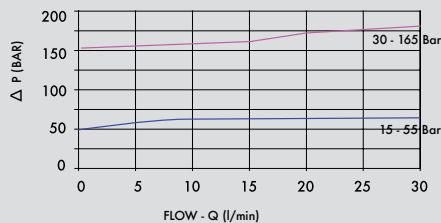
Body: zinc-plated steel.
Internal parts: hardened and ground steel.
Seals: BUNA N standard
Leakage: 70 cc/min (350 Bar to port P)

APPLICATIONS:

Connect P to the main circuit, the port Reg. to the circuit where you want to reduce pressure and port T to the tank.

PRESSURE /FLOW

Oil temperature: 50° C - Oil viscosity: 30 cSt



CODICE
CODE

SIGLA
TYPE

PORTATA MAX
MAX FLOW
Lt. / min

PRESSIONE MAX
MAX PRESSURE
Bar

PREDV06

VRP 3/8"

30

350

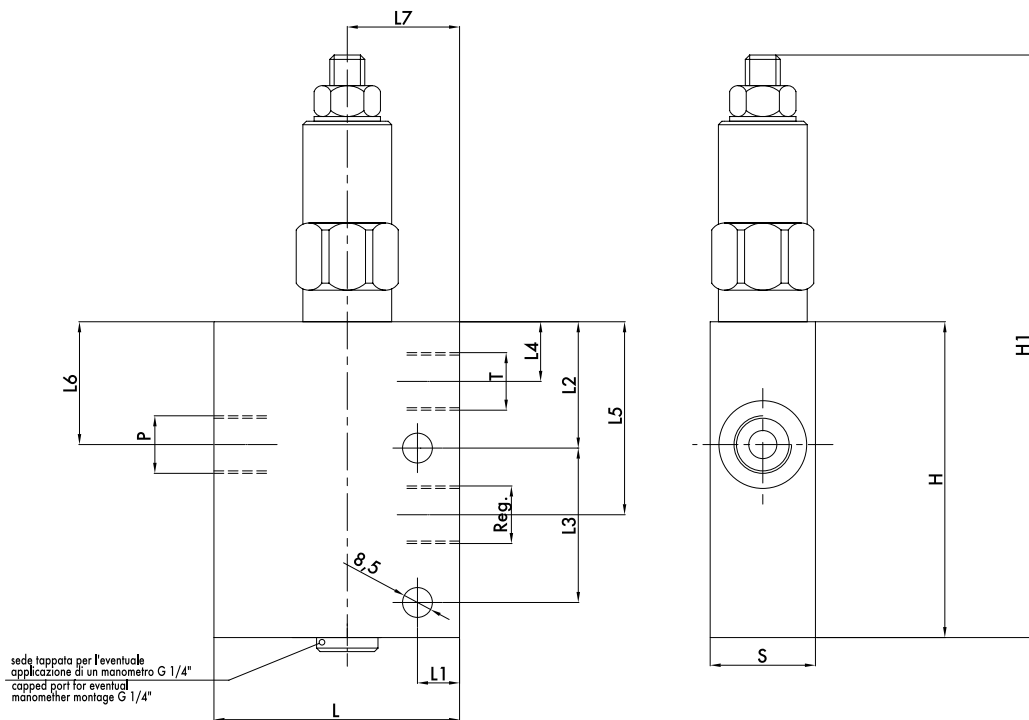
PREDV08

VRP 1/2"

30

350

*000 = specificare valore della molla desiderata. Vedi tabella sotto.
*000 = please specify the desired setting range. See the table below.



CODICE CODE	SIGLA TYPE	P - T - Reg GAS	L mm	L1 mm	L2 mm	L3 mm	L4 mm	L5 mm	L6 mm	L7 mm	H mm	H1 mm	S mm	PESO/ WEIGHT Kg
PREDV06	VRP 3/8"	3/8"	70	12	36	44	17	55	35	32	90	168	30	1,530
PREDV08	VRP 1/2"	1/2"	70	12	36	44	17	55	35	32	90	168	30	1,468

CODICE
CODE

CAMPO DI TARATURA
SETTING RANGE (Bar)

COD/055

15 - 55

COD/165

30 - 165

REGOLAZIONE - ADJUSTMENT

CODICE/V • CODE/V

Volantino • Handknob

CODICE/PP • CODE/PP

Predisposizione alla piombatura • Arranged for sealing cap

CODICE/P • CODE/PP

Piombatura • Sealing cap