

**Bestellzeichen für Schellenhälften:**

Polypropylen innen glatt **RAPR**  
**RAPG<sup>2)</sup>**

Polyamid 6 innen glatt **RANR**  
**RANG<sup>2)</sup>**

Vollgummi Aluminium **RAVG<sup>2)</sup>**  
**RAAR<sup>1)</sup>**

Bei Bedarf Standardkürzzeichen RAPR in der Spalte „Schellenhälften“ austauschen.

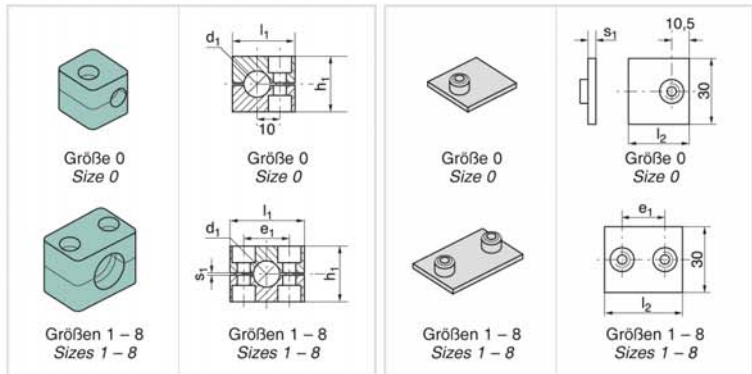
**Order codes for clamp-halves:**

Polypropylene inside smooth **RAPR**  
**RAPG<sup>2)</sup>**

Polyamide 6 inside smooth **RANR**  
**RANG<sup>2)</sup>**

Rubber Aluminium **RAVG<sup>2)</sup>**  
**RAAR<sup>1)</sup>**

Replace standard abbreviation RAPR in column "clamp-halves" as required.



| Schellengröße<br>Clamp size | Rohr-AD mm<br>O.D. mm | Rohr-NW<br>Tube NB | Rohr-AD Zoll<br>Inch O.D. | 1 Stück<br>2 Schellenhälften   | 2 Schellenhälften   | Anschweißplatte,<br>kurz<br>Welding plate,<br>short | Anschweißplatte, kurz<br>Welding plate, short |
|-----------------------------|-----------------------|--------------------|---------------------------|--|---|---|---|
|                             |                       |                    |                           | 1 part<br>2 clamp-halves<br><b>RAPR</b>  | <b>RAPR...</b>  |   |   |
|                             | d <sub>1</sub>        |                    |                           |  | l <sub>1</sub> h <sub>1</sub> e <sub>1</sub> s <sub>1</sub> | APK-A   | e <sub>1</sub> l <sub>2</sub> s <sub>1</sub>  |
| 0                           | 6                     | G 1/8              | 1/4                       | RAPR-006<br>RAPR-006,4<br>RAPR-008<br>RAPR-009,5<br>RAPR-010<br>RAPR-012                         | 28 27 - 0,6   | APK-A 0   | - 30 3  |
|                             | 6,4                   |                    |                           |  |   |   |   |
|                             | 8                     |                    |                           |  |   |   |   |
|                             | 9,5                   |                    |                           |  |   |   |   |
|                             | 10                    |                    |                           |  |   |   |   |
| 1                           | 6                     | G 1/8              | 1/4                       | RAPR-106<br>RAPR-106,4<br>RAPR-108<br>RAPR-109,5<br>RAPR-110<br>RAPR-112                         | 34 27 20 0,6  | APK-A 1   | 20 36 3                                       |
|                             | 6,4                   |                    |                           |  |   |   |   |
|                             | 8                     |                    |                           |  |   |   |   |
|                             | 9,5                   |                    |                           |  |   |   |   |
|                             | 10                    |                    |                           |  |   |   |   |
| 2                           | 12,7                  | G 1/4              | 1/2                       | RAPR-212,7<br>RAPR-213,5<br>RAPR-214<br>RAPR-215<br>RAPR-216<br>RAPR-217,2<br>RAPR-218           | 40 33 26 0,8  | APK-A 2   | 26 42 3                                       |
|                             | 13,5                  |                    |                           |  |   |   |   |
|                             | 14                    |                    |                           |  |   |   |   |
|                             | 15                    |                    |                           |  |   |   |   |
|                             | 16                    |                    |                           |  |   |   |   |
| 3                           | 17,2                  | G 3/8              | 5/8                       | RAPR-319<br>RAPR-320<br>RAPR-321,3<br>RAPR-322<br>RAPR-323<br>RAPR-325                           | 48 35 33 1  | APK-A 3   | 33 50 3                                       |
|                             | 18                    |                    |                           |  |   |   |   |
|                             | 19                    |                    |                           |  |   |   |   |
|                             | 20                    |                    |                           |  |   |   |   |
|                             | 21,3                  |                    |                           |  |   |   |   |
| 4                           | 22                    | G 1/2              | 3/4                       | RAPR-426,9<br>RAPR-428<br>RAPR-430   | 57 42 40 1,2  | APK-A 4   | 40 59 3                                       |
|                             | 23                    |                    |                           |  |   |   |   |
|                             | 25                    |                    |                           |  |   |   |   |
|                             | 26,9                  |                    |                           |  |   |   |   |
|                             | 28                    |                    |                           |  |   |   |   |
| 5                           | 30                    | G 3/4              | 1                         | RAPR-532<br>RAPR-533,7<br>RAPR-535<br>RAPR-538<br>RAPR-540<br>RAPR-542                           | 70 58 52 1,2  | APK-A 5   | 52 72 3                                       |
|                             | 32                    |                    |                           |  |   |   |   |
|                             | 33,7                  |                    |                           |  |   |   |   |
|                             | 35                    |                    |                           |  |   |   |   |
|                             | 38                    |                    |                           |  |   |   |   |
| 6                           | 40                    | G 1                | 1 1/4                     | RAPR-644,5<br>RAPR-645<br>RAPR-648<br>RAPR-650<br>RAPR-650,8<br>RAPR-652<br>RAPR-655<br>RAPR-657 | 86 66 66 1,2  | APK-A 6   | 66 88 3                                       |
|                             | 42                    |                    |                           |  |   |   |   |
|                             | 44,5                  |                    |                           |  |   |   |   |
|                             | 45                    |                    |                           |  |   |   |   |
|                             | 48                    |                    |                           |  |   |   |   |
| 7                           | 50                    | G 1 1/4            | 1 1/2                     | RAPR-757,2<br>RAPR-760,3<br>RAPR-763,5<br>RAPR-770<br>RAPR-773<br>RAPR-776,1                     | 121 93,6 94 1,6   | APK-A 7   | 94 122 5                                      |
|                             | 50,8                  |                    |                           |  |   |   |   |
|                             | 52                    |                    |                           |  |   |   |   |
|                             | 55                    |                    |                           |  |   |   |   |
|                             | 57                    |                    |                           |  |   |   |   |
| 8                           | 57,2                  | G 1 1/2            | 2 1/4                     | RAPR-888,9<br>RAPR-8101,8  | 147 117,6 120 1,6   | APK-A 8   | 120 148 5                                     |
|                             | 60,3                  |                    |                           |  |   |   |   |
|                             | 63,5                  |                    |                           |  |   |   |   |
|                             | 70                    |                    |                           |  |   |   |   |
|                             | 73                    |                    |                           |  |   |   |   |
| 8                           | 76,1                  | G 2                | 2 1/2                     |  |   |   |   |
|                             | 88,9                  |                    |                           |  |   |   |   |
|                             | 101,8                 | G 2 1/2            | 3                         |  |   |   |   |
|                             |                       | G 3                | 4                         |  |   |   |   |

Bei Montage von Vollgummi-Schellen sind Deckplatten, Sechskantschrauben und Sicherungsscheiben zu verwenden. Stahlteile auch in Edelstahl lieferbar.

<sup>1)</sup>Aluminium in Größen 1 bis 6 <sup>2)</sup>ohne Vorspannung

When assembling solid rubber clamps, covering plates, hexagon screws and locking washers must be used. All metal parts available in stainless steel.

<sup>1)</sup>Aluminium sizes 1 to 6 <sup>2)</sup>without bias

