

SPLINED COUPLINGS

SPLINED COUPLINGS

PRODUCT	PAGE
SPLINED COUPLINGS SERIES 10000	340
SPLINED COUPLINGS SERIES 15000	341
SPLINED SLEEVES	341
SPLINED COUPLINGS SERIES 34100	342
SPLINED HALF COUPLINGS 34200 - 34300 34400-35500	342
SPLINED SLEEVES SERIES 10200-10300-10400	342
SPLINED BARS SERIES 14000	343



**FROM
ONLY
£4.26
+VAT**



QUALITY PRODUCTS



FREE ADVICE

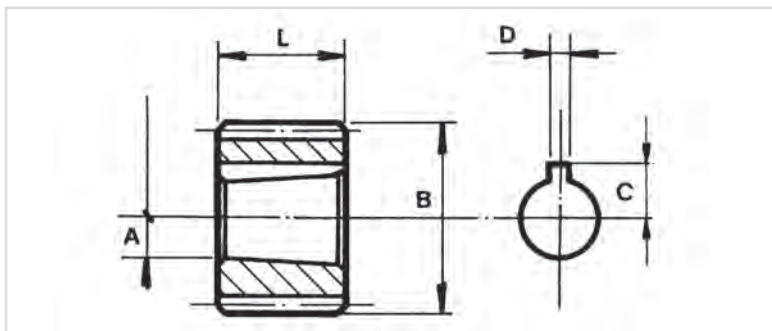


SPLINED COUPLINGS SERIES 10000

1:8 TAPER PUMP CONNECTION

www.flowfitonline.com

TECH. DATA SHEET

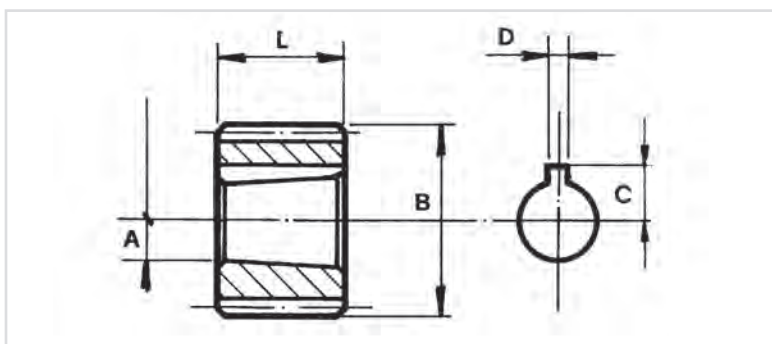
SC01


CODE	EUROPEAN PUMP GROUP	PUMP ASSEMBLY	PROFILE DIN 5482 B	NO. OF TEETH	A	B	C	D	L	NETT. PRICE	
										£ STERLING	€ EUROS
01-10001	1	1	20 x 17	12	8	19,5	5,7	2,4	14,5	£5.80	€ 7.83
01-10003	1	2/1	25 x 22	14	8	24,5	5,7	2,4	14,5	£4.92	€ 6.65
01-10005	2	2	25 x 22	14	14,2	24,5	9,3	3,17	22	£4.26	€ 5.75
01-10026	2	2	25 x 22	14	14,5	24,5	9,1	4	22,5	£4.26	€ 5.75
01-10007	2	2	28 x 25	15	14,2	27,5	9,7	3,17	22	£6.13	€ 8.28
01-10035	2	2	28 x 25	15	14,5	27,5	9,7	4	22,5	£6.50	€ 8.78
01-10010	1	3/1	35 x 31	18	8	34,5	5,7	2,4	14,5	£9.97	€ 13.46
01-10012	2	3/2	35 x 31	18	14,2	34,5	9,7	3,17	22	£5.57	€ 7.53
01-10044	2	3/2	35 x 31	18	14,5	34,5	9,7	4	22,5	£4.73	€ 6.38
01-10014	3	3	35 x 31	18	18,7	34,5	12,5	4	26	£5.00	€ 6.75
01-10019	3	4/3	48 X 44	23	18,7	47,5	12,5	4	26	£9.44	€ 12.74
01-10020	3,5	4/3,5	48 X 44	23	21,2	47,5	15,1	4,76	32	£11.25	€ 15.20

PARALLEL/CYLINDRICAL BORE

www.flowfitonline.com

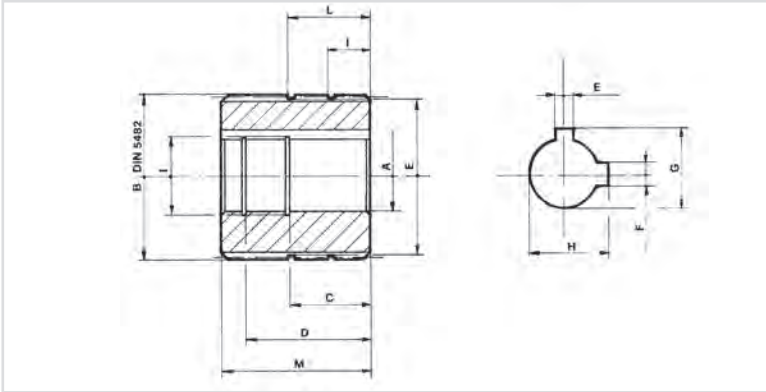
TECH. DATA SHEET

SC01


CODE	EUROPEAN PUMP GROUP	PUMP ASSEMBLY	PROFILE DIN 5482 B	NO. OF TEETH	A	B	C	D	L	NETT. PRICE	
										£ STERLING	€ EUROS
01-10045	2	3/2	35 x 31	18	15	34,5	9,2	4	31	£7.26	€ 9.80
01-10047	3	3	35 x 31	18	20	34,5	11,8	5	41	£17.93	€ 24.20
01-10053	1	4/1	48 x 44	23	12	47,5	7,6	3	13,5	£9.62	€ 12.99

SPLINED COUPLINGS SERIES 15000

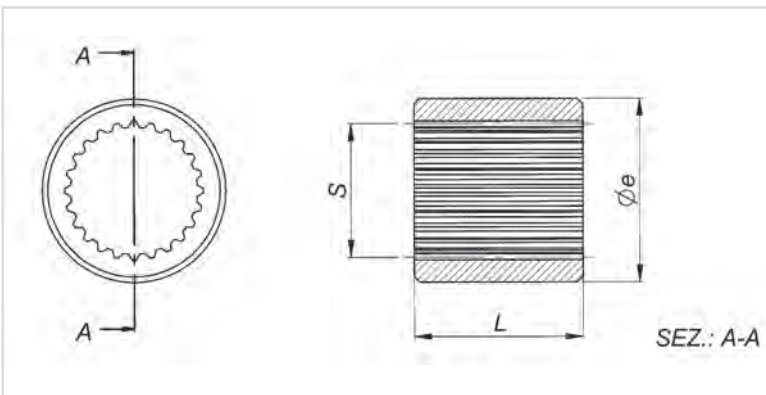
www.flowfitonline.com
TECH. DATA SHEET
SC02



CODE	PUMP ASSEMBLY	PROFILE	NO. OF TEETH	I Ø	E Ø	A	B	C	D	E	F	G	H	I	L	M	NETT. PRICE	
																	£ STERLING	€ EUROS
01-15001	A	35 X 31	18	19	34	19,05	34,5	26	41	4,8		21,2		13	27	48	£16.82	€ 22.70
01-15002	B-C	35 X 31	18	22	34	22,22	34,5	26	40	4,8	6,4	24,5	25,2	14	27	48	£16.82	€ 22.70

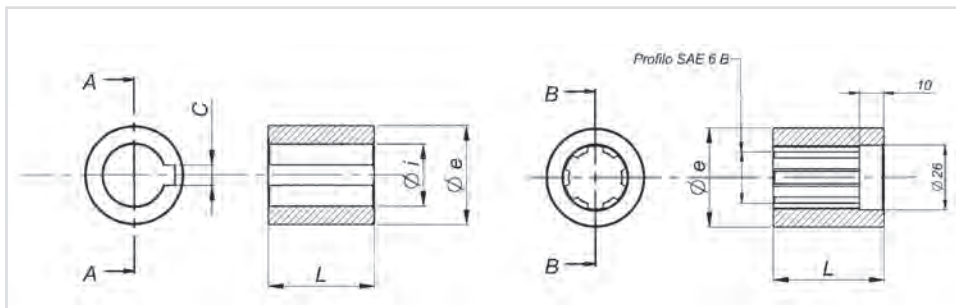
SPLINED SLEEVES

www.flowfitonline.com
TECH. DATA SHEET
SC02



CODE	NO. OF TEETH	SPLINED SHAFT : S	Øe	L	NETT. PRICE	
					£ STERLING	€ EUROS
01-10601	9	A 17x14 - DIN 5482	30	30	£10.13	€ 13.67
01-10602	14	A 25x22 - DIN 5482	40	50	£13.41	€ 18.11
01-10603	15	A 28x25 - DIN 5482	40	50	£13.41	€ 18.11
01-10702	11	16/32" DP	30	35	£10.05	€ 13.58
01-10703	13	16/32" DP	35	40	£13.40	€ 18.09

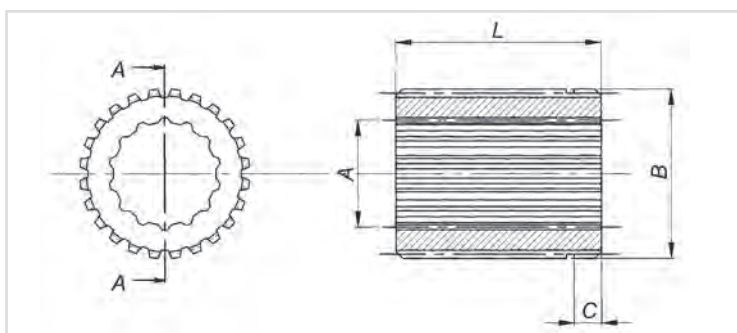
SPLINED COUPLINGS SERIES 34100



www.flowfitonline.com
TECH. DATA SHEET
SC03

CODE	MOTOR	Ø e	Ø i	L	C	NETT. PRICE	
						£ STERLING	€ EUROS
01-34104	DANFOSS	50	32	50	10	£36.41	€ 49.15
01-34105	DANFOSS	40		45		£20.06	€ 27.08

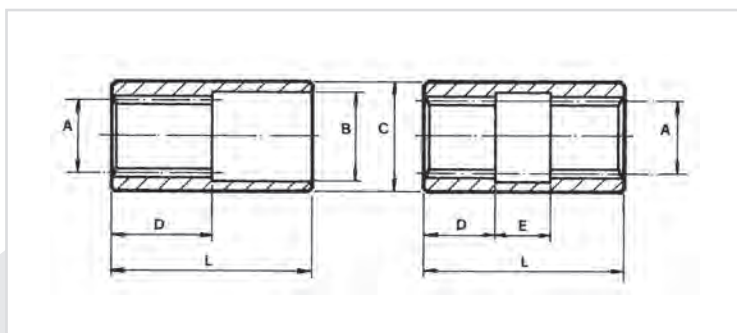
SPLINED HALF COUPLINGS 34200 - 34300 34400-35500



www.flowfitonline.com
TECH. DATA SHEET
SC03

CODE	NO. OF TEETH EXTERIOR	SPLINED SHAFT EXTERIOR: B	NO. OF TEETH INSIDE	SPLINED SHAFT: A	L	C	NETT. PRICE	
							£ STERLING	€ EUROS
01-35517	14	B 25X22 - DIN 5482	9	16/32" DP	30	5	£10.02	€ 13.53

SPLINED SLEEVES SERIES 10200-10300-10400

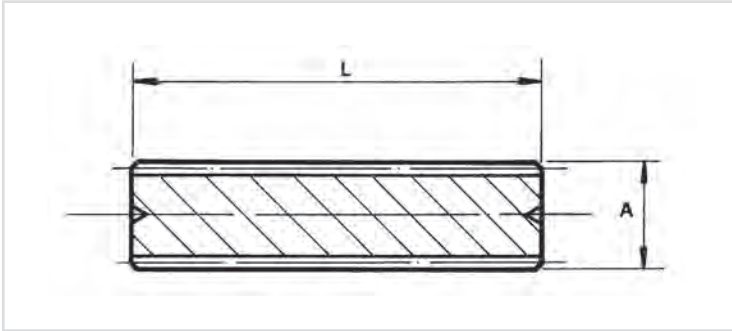


www.flowfitonline.com
TECH. DATA SHEET
SC03

CODE	PUMP ASSEMBLY	PROFILE	NO. OF TEETH	A	B	C	D	E	L	NETT. PRICE	
										£ STERLING	€ EUROS
01-10201	1	20 X 17 DIN 5482	12	17	20,5	25	25		50	£5.68	€ 7.67
01-10207	4	48 X 44 DIN 5482	23	44	48,5	62	42		90	£14.49	€ 19.57

SPLINED BARS SERIES 14000

www.flowfitonline.com
TECH. DATA SHEET
SC03



CODE	PROFILE	NO. OF TEETH	A	B	NETT. PRICE	
					£ STERLING	€ EUROS
01-14003	25 X 22	14	24,5	300	£32.02	€ 43.23
01-14008	40 X 36	20	39,5	300	£50.04	€ 67.55

If the part number needed is not listed please ask the Flowfit Sales Team