

HYDRAULIC VALVES

SOLENOID DIVERTER VALVES

PRODUCT	PAGE
SDV3 3 WAY SOLENOID DIVERTERS MAX FLOW 80L/MIN	83
SDV06 6 WAY SOLENOID DIVERTERS MAX FLOW 50L/MIN	84
SDV10 6 WAY SOLENOID DIVERTERS MAX FLOW 80L/MIN. 315 BAR RATED	85
DIVERTER VALVE HANDLEVER MIRCOSWITCH KIT	86



**FROM ONLY
£70.10
+VAT**



**FROM ONLY
£109.06
+VAT**



**FROM ONLY
£109.06
+VAT**



QUALITY PRODUCTS



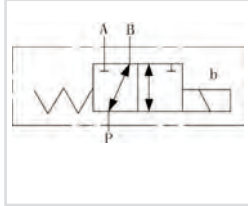
FREE ADVICE

If the part number needed is not listed please ask the Flowfit Sales Team

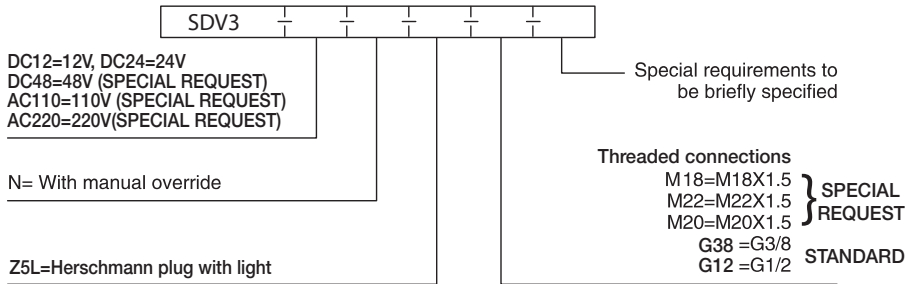
SOLENOID DIVERTER VALVES

SDV3 3 WAY SOLENOID DIVERTERS MAX FLOW 80L/MIN

www.flowfitonline.com
TECH. DATA SHEET
SDV01



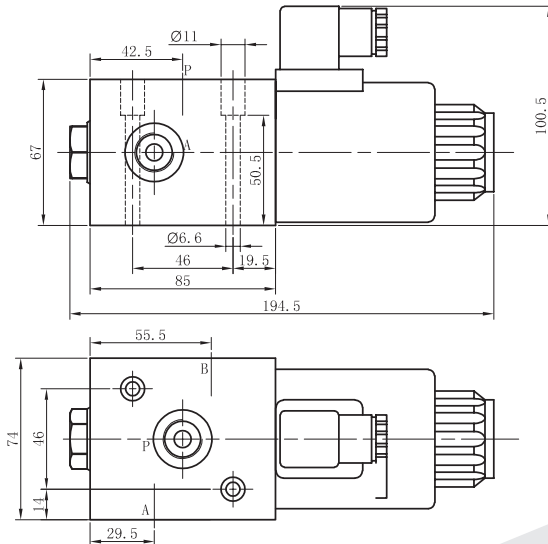
Diverters are used to add an extra facility to the directional control valve when it is needed for a sequence of operations such as a safety operation or to control a selected hydraulic cylinder. No drainline required.



Technical Data

Type Model	SDV3
Max Operating pressure (bar)	210
Max Flow rate (L/min)	80

SDV3 Installation Dimensions



- **COMPACT**
- **EASY TO INSTALL**
- **EXCELLENT PRICE**
- **OEM TOP DEMANDED FLOWFIT PRODUCT**

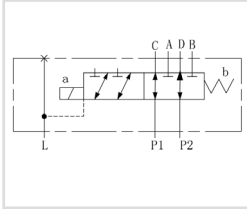


- **MANUAL OVERRIDE STANDARD**

PART NUMBER	VOLTAGE	PORT SIZE BSP	FLOW RATE L/MIN	MAX PRESSURE BAR	WEIGHT (KG)	NETT. PRICE	
						£ STERLING	€ EUROS
SDV3DC12NZ5LG38	12 VDC	3/8"	80	210	4.23	£70.10	€ 94.64
SDV3DC24NZ5LG38	24 VDC	3/8"	80	210	4.23	£70.10	€ 94.64
SDV3DC12NZ5LG12	12 VDC	1/2"	80	210	4.23	£80.49	€ 108.66
SDV3DC24NZ5LG12	24 VDC	1/2"	80	210	4.23	£80.49	€ 108.66

SDV06 6 WAY SOLENOID DIVERTERS MAX FLOW 50L/MIN

www.flowfitonline.com
TECH. DATA SHEET
SDV02



Diverters are used to add an extra facility to the directional control valve when it is needed for a sequence of operations such as a safety operator or to control a selected hydraulic cylinder.

The stackable circuit selector valves type SDV06 allow one single drive of 6 users with 5 diverters connected in series.

Please note the drainline must be connected back to tank at all times.

SDV	06	6	W	I	*	*	*	*
-----	----	---	---	---	---	---	---	---

Stackable diverter valve

Size 06

No of ways single element (6 Way)

Threaded connectors 3/8" BSP

External Drain

No of elements: 1/2/3/4/5

VARIANTS
00=No variant
V1=Viton
R1=rectifier

Voltage L=12V M=24V
DC48=48V AC110=110V
AC220=220V

SPECIFICATION

Max. pressure: 250 bar

Max. flow: 50 l/min

Overlap: negative

Hydraulic fluids: Mineral oils DIN 51524

Fluid viscosity: 10 + 500 mm²/s

Fluid temperature: -25°C + 75°C

Ambient temperature: -25°C + 60°C

Max. Contamination level: class 10 in accordance

Oil cleanliness: NAS with 1638 with filter

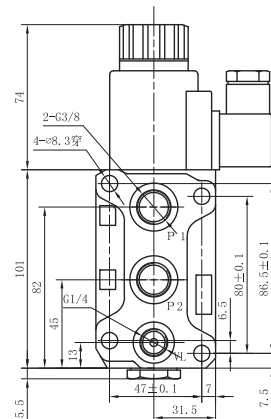
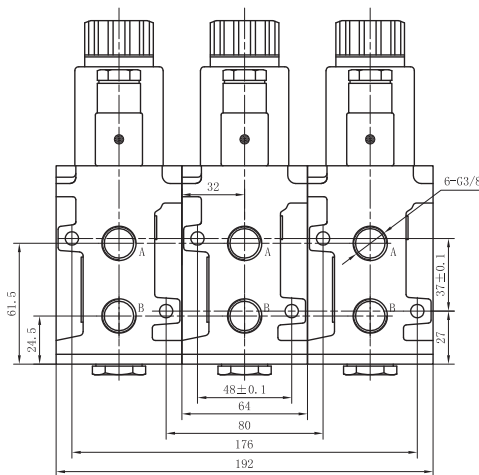
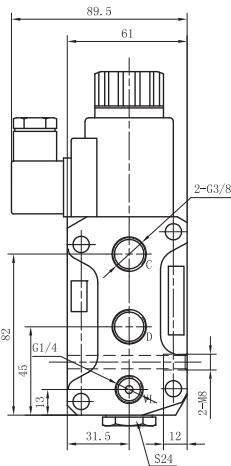
β25≥75

NAS 1638 class 9 and ISO

4406 class 20/18/15

Valve Body Surface Finish:

Phosphate surface finish



DIVERTER	WAY	A	B
NO. OF DIVERTERS	NO. OF WAY	LENGTH IN MM	
1	6	64	86
2	8	128	150
3	10	192	214
4	12	256	278
5	14	320	342

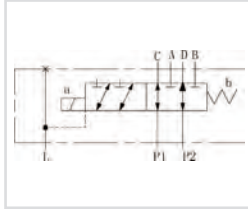
- COMPACT
- EASY TO INSTALL
- EXCELLENT PRICE
- OEM TOP DEMANDED FLOWFIT PRODUCT
- MANUAL OVERRIDE STANDARD



PART NUMBER	VOLTAGE	PORT SIZE BSP	FLOW RATE L/MIN	MAX PRESSURE BAR	WEIGHT (KG)	NETT. PRICE	
						£ STERLING	€ EUROS
SDV066W11LE1	12 VDC	3/8"	50	250	3	£109.05	€ 147.21
SDV066W11ME1	24 VDC	3/8"	50	250	3	£109.05	€ 147.21

SDV10 6 WAY SOLENOID DIVERTERS MAX FLOW 80L/MIN. 315 BAR RATED

www.flowfitonline.com
TECH. DATA SHEET
SDV03



Diverters are used to add an extra facility to the directional control valve when it is needed for a sequence of operations such as a safety operation or to control a selected hydraulic cylinder.

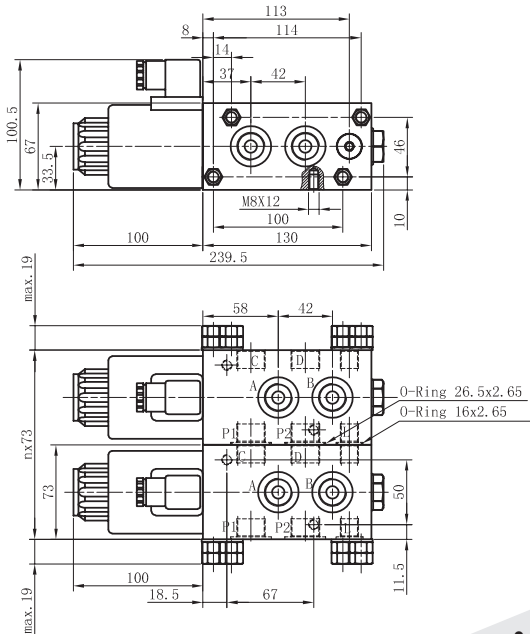
Please note drainline must be connected back to tank at all times.

SDV10	
DC12=12V, DC24=24V DC48=48V (SPECIAL REQUEST) AC110=110V (SPECIAL REQUEST) AC220=220V(SPECIAL REQUEST)	<p style="text-align: center;">THREADED CONNECTIONS</p> 12 =G1/2 /G1/4 STANDARD 34 =G3/4 /G1/4 STANDARD M22=M22X1.5/M14X1.5 } SPECIAL REQUEST M27=M27X2/M14X1.5 }
N= With manual override	<p style="text-align: center;">Nr. OF UNITS</p> N1= (one unit) N2= (two units) N3= (three units) N4= (four units)
Z5L=Herschmann plug with light	

Technical Data

Type Model	SDV10
Max Operating pressure (bar)	315
Max Flow rate (L/min)	80

SDV10 Installation Dimensions



- **COMPACT**
- **EASY TO INSTALL**
- **EXCELLENT PRICE**
- **OEM TOP DEMANDED FLOWFIT PRODUCT**



- **MANUAL OVERRIDE STANDARD**

PART NUMBER	VOLTAGE	PORT SIZE BSP	FLOW RATE L/MIN	MAX PRESSURE BAR	WEIGHT (KG)	NETT. PRICE	
						£ STERLING	€ EUROS
SDV10DC12NZ5LN112	12 VDC	1/2"	80	315	5.14	£109.05	€ 147.21
SDV10DC24NZ5LN112	24 VDC	1/2"	80	315	5.14	£109.05	€ 147.21
SDV10DC12NZ5LN134	12 VDC	3/4"	80	315	5.14	£109.05	€ 147.21
SDV10DC24NZ5LN134	24 VDC	3/4"	80	315	5.14	£109.05	€ 147.21

DIVERTER VALVE HANDLEVER MIRCOSWITCH KIT

www.flowfitonline.com
TECH. DATA SHEET
SDV04

Working conditions for the Microswitch

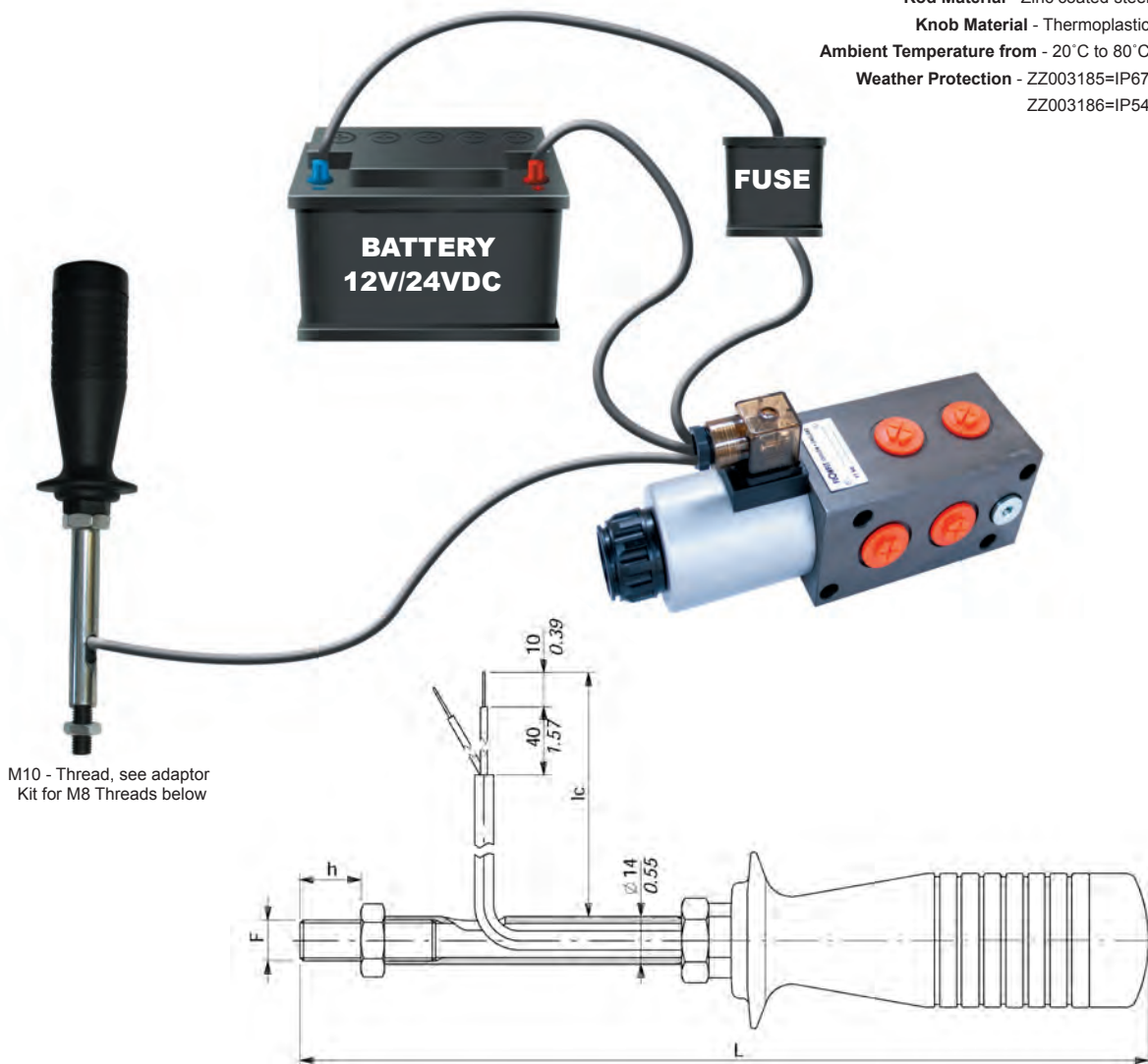
Rod Material - Zinc coated steel

Knob Material - Thermoplastic

Ambient Temperature from - 20°C to 80°C

Weather Protection - ZZ003185=IP67

ZZ003186=IP54



M10 - Thread, see adaptor Kit for M8 Threads below

DIMENSION INFORMATION				
PART NUMBER	F	H (MM)	L (MM)	IC MM
ZZ003185	M10	20	250	425
ZZ003186	M10	19	200	430

THREAD ADAPTOR KIT			
PART NUMBER	DESCRIPTION	PRICE	
		£ STERLING	€ EUROS
6473210	M8 MALE X M10 FEMALE THREAD ADAPTOR ZINC PLATED	£2.54	€ 3.43

PART NUMBER	OPERATION OF SWITCH	THREAD TYPE	LENGTH (MM)	WEIGHT (KG)	NETT. PRICE	
					£ STERLING	€ EUROS
ZZ003185	PUSH BUTTON ON/OFF	M10	250	0.5	£57.77	€ 77.99
ZZ003186	ROCKER SWITCH ON/OFF Detent 2 position	M10	250	0.5	£64.26	€ 86.76