

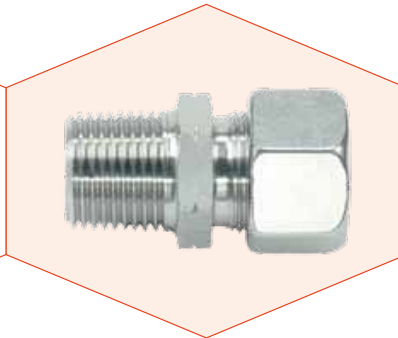
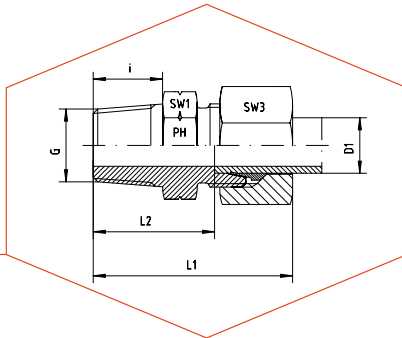


GE - VERSCHRAUBUNGEN
GE - COUPLINGS



PRODUKTE / PRODUCTS

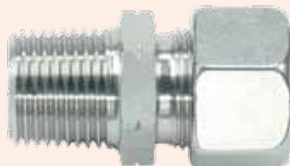
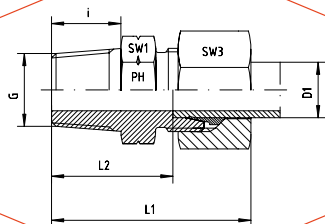
ERLÄUTERUNG / EXPLANATION



Gerade Einschraubverschraubungen
LL- und L-Reihe
Einschraubgewinde: NPT
Andere Sprunggrößen auf Anfrage!

Male Stud Couplings
LL - and L-Series
Thread: NPT
Other jump sizes on request!

Reihe Series	Druck Pressure PN	Rohr A.D. Tube O.D. D1	Gewinde Thread G	Ca. Maße Approx. Dimensions					Bestellzeichen Order-Code Standard
				L1	L2	i	SW1	SW3	
L	315	6	1/8" NPT	32	17,0	10,0	12	14	GE-6L-2N
L	315	6	1/4" NPT	38	23,0	15,0	17	14	GE-6L-4N
L	315	6	3/8" NPT	38	23,0	15,3	19	14	GE-6L-6N
L	315	6	1/2" NPT	44	29,0	20,0	22	14	GE-6L-8N
L	315	8	1/8" NPT	33	18,0	10,0	14	17	GE-8L-2N
L	315	8	1/4" NPT	38	23,0	15,0	17	17	GE-8L-4N
L	315	8	3/8" NPT	38	23,0	15,3	19	17	GE-8L-6N
L	315	8	1/2" NPT	44	29,0	20,0	24	17	GE-8L-8N
L	315	10	1/8" NPT	33	18,0	10,0	17	19	GE-10L-2N
L	315	10	1/4" NPT	39	24,0	15,0	17	19	GE-10L-4N
L	315	10	3/8" NPT	40	25,0	15,3	19	19	GE-10L-6N
L	315	10	1/2" NPT	45	30,0	20,0	24	19	GE-10L-8N
L	160	10	3/4" NPT	46	31,0	20,0	27	19	GE-10L-12N
L	315	12	1/8" NPT	34	19,0	10,0	19	22	GE-12L-2N
L	315	12	1/4" NPT	40	25,0	15,0	19	22	GE-12L-4N
L	315	12	3/8" NPT	40	25,0	15,3	19	22	GE-12L-6N
L	315	12	1/2" NPT	45	30,0	20,0	22	22	GE-12L-8N
L	160	12	3/4" NPT	48	31,0	20,0	27	22	GE-12L-12N
L	315	15	1/4" NPT	45	26,0	15,0	24	27	GE-15L-4N
L	315	15	3/8" NPT	41	26,0	15,3	24	27	GE-15L-6N
L	315	15	1/2" NPT	46	31,0	20,0	24	27	GE-15L-8N
L	160	15	3/4" NPT	47	32,0	20,0	27	27	GE-15L-12N
L	315	18	3/8" NPT	43	26,5	15,3	27	32	GE-18L-6N
L	315	18	1/2" NPT	48	31,5	20,0	27	32	GE-18L-8N
L	160	18	3/4" NPT	48	31,5	20,0	27	32	GE-18L-12N
L	160	18	1" NPT	54	37,5	25,0	36	32	GE-18L-16N
L	160	22	3/8" NPT	45	28,5	15,3	32	36	GE-22L-6N
L	160	22	1/2" NPT	50	33,5	20,0	32	36	GE-22L-8N
L	160	22	3/4" NPT	50	33,5	20,0	32	36	GE-22L-12N
L	160	22	1" NPT	56	39,5	25,0	36	36	GE-22L-16N
L	160	22	1 1/4" NPT	68	46,5	25,5	46	36	GE-22L-20N
L	160	28	1/2" NPT	56	35,0	20,0	41	41	GE-28L-8N
L	160	28	3/4" NPT	51	34,5	20,0	41	41	GE-28L-12N
L	160	28	1" NPT	56	39,5	25,0	41	41	GE-28L-16N
L	160	28	1 1/4" NPT	48	41,5	25,5	46	41	GE-28L-20N
L	160	35	3/4" NPT			20,0	46	50	GE-35L-12N
L	160	35	1" NPT	61	39,5	25,0	46	50	GE-35L-16N
L	160	35	1 1/4" NPT	62	40,5	25,5	46	50	GE-35L-20N
L	160	35	1 1/2" NPT	69	42,5	26,0	55	50	GE-35L-24N
L	160	42	1" NPT	67	40,5	25,0	55	60	GE-42L-16N
L	160	42	1 1/4" NPT	65	42,0	25,5	55	60	GE-42L-20N
L	160	42	1 1/2" NPT	65	42,0	26,0	55	60	GE-42L-24N



Gerade Einschraubverschraubungen
S-Reihe
Einschraubgewinde: NPT
Andere Sprunggrößen auf Anfrage!

Male Stud Couplings
S-Series
Thread: NPT
Other jump sizes on request!

Reihe Series	Druck Pressure PN	Rohr A.D. Tube O.D. D1	Gewinde Thread G	Ca. Maße Approx. Dimensions					Bestellzeichen Order-Code Standard
				L1	L2	i	SW1	SW3	
S	630	6	1/8" NPT	36,0	21,0	10,0	14	17	GE-6S-2N
S	630	6	1/4" NPT	43,0	28,0	15,0	17	17	GE-6S-4N
S	630	6	3/8" NPT	41,0	26,0	15,3	19	17	GE-6S-6N
S	630	6	1/2" NPT	50,0	35,0	20,0	22	17	GE-6S-8N
S	630	8	1/8" NPT		23,0	10,0	17	19	GE-8S-2N
S	630	8	1/4" NPT	43,0	28,0	15,0	17	19	GE-8S-4N
S	630	8	3/8" NPT	43,0	28,0	15,3	19	19	GE-8S-6N
S	630	8	1/2" NPT	50,0	35,0	20,0	22	19	GE-8S-8N
S	630	10	1/8" NPT			10,0	19	22	GE-10S-2N
S	630	10	1/4" NPT	44,0	27,5	15,0	19	22	GE-10S-4N
S	630	10	3/8" NPT	44,0	27,5	15,3	19	22	GE-10S-6N
S	630	10	1/2" NPT	51,0	34,5	20,0	22	22	GE-10S-8N
S	400	10	3/4" NPT	50,5	31,5	20,0	27	22	GE-10S-12N
S	630	12	1/4" NPT	46,0	29,5	15,0	22	24	GE-12S-4N
S	630	12	3/8" NPT	46,0	29,5	15,3	22	24	GE-12S-6N
S	630	12	1/2" NPT	51,0	34,5	20,0	22	24	GE-12S-8N
S	400	12	3/4" NPT	53,0	36,5	20,0	27	24	GE-12S-12N
S	630	14	3/8" NPT	49,0	23,0	15,3	24	27	GE-14S-6N
S	630	14	1/2" NPT	54,0	36,0	20,0	24	27	GE-14S-8N
S	400	14	3/4" NPT	56,0	38,0	20,0	27	27	GE-14S-12N
S	400	16	3/8" NPT	49,0	30,5	15,3	27	30	GE-16S-6N
S	400	16	1/2" NPT	54,0	35,5	20,0	27	30	GE-16S-8N
S	400	16	3/4" NPT	56,0	37,5	20,0	30	30	GE-16S-12N
S	400	16	1" NPT	63,0	44,5	25,0	36	30	GE-16S-16N
S	400	20	3/8" NPT		32,5	15,3	32	36	GE-20S-6N
S	400	20	1/2" NPT	59,0	37,5	20,0	32	36	GE-20S-8N
S	400	20	3/4" NPT	59,0	37,5	20,0	32	36	GE-20S-12N
S	400	20	1" NPT	66,0	44,5	25,0	36	36	GE-20S-16N
S	400	20	1 1/4" NPT	67,5	44,5	25,5	46	36	GE-20S-20N
S	400	25	1/2" NPT			20,0	41	46	GE-25S-8N
S	400	25	3/4" NPT	64,0	40,0	20,0	41	46	GE-25S-12N
S	400	25	1" NPT	69,0	45,0	25,0	41	46	GE-25S-16N
S	400	25	1 1/4" NPT	70,0	46,0	25,5	46	46	GE-25S-20N
S	400	30	3/4" NPT	67,0	40,5	20,0	46	50	GE-30S-12N
S	400	30	1" NPT	72,0	45,5	25,0	46	50	GE-30S-16N
S	400	30	1 1/4" NPT	73,0	46,5	25,5	46	50	GE-30S-20N
S	315	30	1 1/2" NPT	73,0	46,5	26,0	55	50	GE-30S-24N
S	315	38	1" NPT	79,0	48,0	25,0	55	60	GE-38S-16N
S	315	38	1 1/4" NPT	80,0	49,0	25,5	55	60	GE-38S-20N
S	315	38	1 1/2" NPT	80,0	49,0	26,0	55	60	GE-38S-24N