

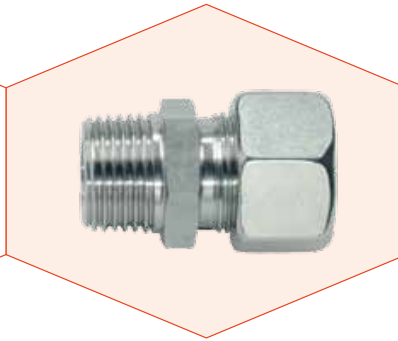
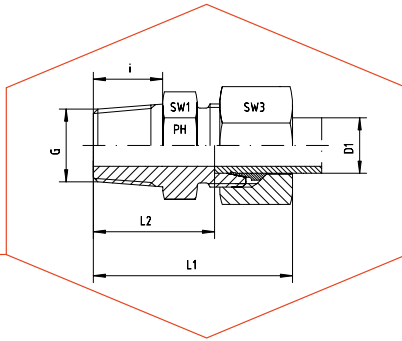


GE - VERSCHRAUBUNGEN
GE - COUPLINGS



PRODUKTE / PRODUCTS

ERLÄUTERUNG / EXPLANATION



Gerade Einschraubverschraubungen
LL- und L-Reihe
Einschraubgewinde: Whitworth-Rohrgewinde - Kegelig
Andere Sprunggrößen auf Anfrage!

Male Stud Couplings
LL- and L-Series
Thread: BSP - Taper
Other jump sizes on request!

Reihe Series	Druck Pressure PN	Rohr A.D. Tube O.D. D1	Gewinde Thread G	Ca. Maße Approx. Dimensions					Bestellzeichen Order-Code Standard
				L1	L2	i	SW1	SW3	
L	315	6	R 1/8" keg	30	15,0	8	14	14	GE-6L-2RT
L	315	6	R 1/4" keg	35	20,0	12	17	14	GE-6L-4RT
L	315	6	R 3/8" keg	36	21,0	12	17	14	GE-6L-6RT
L	315	6	R 1/2" keg	40	23,0	14	22	14	GE-6L-8RT
L	315	8	R 1/8" keg	31	16,0	8	14	17	GE-8L-2RT
L	315	8	R 1/4" keg	35	20,0	12	17	17	GE-8L-4RT
L	315	8	R 3/8" keg	35	20,0	12	17	17	GE-8L-6RT
L	315	8	R 1/2" keg	38	22,0	14	22	17	GE-8L-8RT
L	315	10	R 1/8" keg	32	17,0	8	17	19	GE-10L-2RT
L	315	10	R 1/4" keg	36	21,0	12	17	19	GE-10L-4RT
L	315	10	R 3/8" keg	36	21,0	12	17	19	GE-10L-6RT
L	315	10	R 1/2" keg	39	24,0	14	22	19	GE-10L-8RT
L	315	12	R 1/8" keg			8	19	22	GE-12L-2RT
L	315	12	R 1/4" keg	37	22,0	12	19	22	GE-12L-4RT
L	315	12	R 3/8" keg	37	22,0	12	19	22	GE-12L-6RT
L	315	12	R 1/2" keg	39	24,0	14	22	22	GE-12L-8RT
L	160	12	R 3/4" keg	43	27,0	16	27	22	GE-12L-12RT
L	315	15	R 1/4" keg			12	24	27	GE-15L-4RT
L	315	15	R 3/8" keg	38	23,0	12	24	27	GE-15L-6RT
L	315	15	R 1/2" keg	40	25,0	14	24	27	GE-15L-8RT
L	160	15	R 3/4" keg	45	28,0	16	27	27	GE-15L-12RT
L	315	18	R 3/8" keg	42	23,5	12	27	32	GE-18L-6RT
L	315	18	R 1/2" keg	42	25,5	14	27	32	GE-18L-8RT
L	160	18	R 3/4" keg	47	27,5	16	27	32	GE-18L-12RT
L	160	22	R 3/8" keg	46	25,5	12	32	36	GE-22L-6RT
L	160	22	R 1/2" keg	46	25,5	14	32	36	GE-22L-8RT
L	160	22	R 3/4" keg	46	29,5	16	32	36	GE-22L-12RT
L	160	22	R 1" keg	50	31,5	18	36	36	GE-22L-16RT
L	160	28	R 1/2" keg			14	41	41	GE-28L-8RT
L	160	28	R 3/4" keg	49	30,5	16	41	41	GE-28L-12RT
L	160	28	R 1" keg	49	32,5	18	41	41	GE-28L-16RT
L	160	28	R 1 1/4" keg	49	30,5	20	46	41	GE-28L-20RT
L	160	35	R 1" keg	51	27,5	18	46	50	GE-35L-16RT
L	160	35	R 1 1/4" keg	56	34,5	20	46	50	GE-35L-20RT
L	160	35	R 1 1/2" keg	63	37,5	22	50	50	GE-35L-24RT
L	160	42	R 1 1/4" keg	55	31,0	20	55	60	GE-42L-20RT
L	160	42	R 1 1/2" keg	61	38,0	22	55	60	GE-42L-24RT