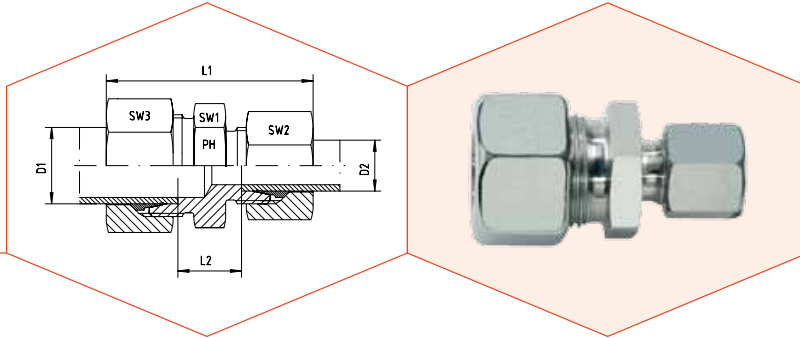


Gerade Reduzier-Verschraubungen
 LL- und L-Reihe

Straight Reducer Couplings
LL- and L-Series

Reihe Series	Druck Pressure PN	Rohr A.D. Tube O.D.		Ca. Maße Approx. Dimensions					Bestellzeichen Order-Code Standard
		D1	D2	L1	L2	SW1	SW2	SW3	
L	500	8	6	45,5	11,0	14	14	17	GR-8L-6L
L	500	10	6	47,0	12,0	17	14	19	GR-10L-6L
L	500	10	8	47,0	12,0	17	17	19	GR-10L-8L
L	400	12	6	48,0	13,0	19	14	22	GR-12L-6L
L	400	12	8	48,0	13,0	19	17	22	GR-12L-8L
L	400	12	10	49,5	14,0	19	19	22	GR-12L-10L
L	400	15	6	50,5	14,0	24	14	27	GR-15L-6L
L	400	15	8	50,5	14,0	24	17	27	GR-15L-8L
L	400	15	10	52,0	15,0	24	19	27	GR-15L-10L
L	400	15	12	52,0	15,0	24	22	27	GR-15L-12L
L	400	18	8	52,0	14,5	27	27	32	GR-18L-8L
L	400	18	10	53,5	15,5	27	19	32	GR-18L-10L
L	400	18	12	53,5	15,5	27	22	32	GR-18L-12L
L	400	18	15	56,5	16,5	27	27	32	GR-18L-15L
L	250	22	8	56,5	17,5	32	17	36	GR-22L-8L
L	250	22	10	57,0	17,5	32	19	36	GR-22L-10L
L	250	22	12	57,0	17,5	32	22	36	GR-22L-12L
L	250	22	15	59,0	18,5	32	27	36	GR-22L-15L
L	250	22	18	60,0	18,0	32	32	36	GR-22L-18L
L	250	28	10	60,0	20,5	41	19	41	GR-28L-10L
L	250	28	12	60,0	19,0	41	22	41	GR-28L-12L
L	250	28	15	62,5	19,0	41	27	41	GR-28L-15L
L	250	28	18	61,0	19,0	41	32	41	GR-28L-18L
L	250	28	22	64,0	21,0	41	36	41	GR-28L-22L
L	250	35	15			46	27	50	GR-35L-15L
L	250	35	18	66,5	19,0	46	32	50	GR-35L-18L
L	250	35	22	69,5	21,0	46	36	50	GR-35L-22L
L	250	35	28	70,5	21,0	46	41	50	GR-35L-28L
L	250	42	15	64,0	21,0	55	27	60	GR-42L-15L
L	250	42	18		20,5	55	32	60	GR-42L-18L
L	250	42	22	70,5	22,5	55	36	60	GR-42L-22L
L	250	42	28	71,0	22,5	55	41	60	GR-42L-28L
L	250	42	35	75,0	21,5	55	50	60	GR-42L-35L



Gerade Reduzier-Verschraubungen
S-Reihe

Straight Reducer Couplings
S-Series

Reihe Series	Druck Pressure PN	Rohr A.D. Tube O.D.		Ca. Maße Approx. Dimensions					Bestellzeichen Order-Code Standard
		D1	D2	L1	L2	SW1	SW2	SW3	
S	800	8	6	52,5	18,0	17	17	19	GR-8S-6S
S	800	10	6	53,5	17,5	19	17	22	GR-10S-6S
S	800	10	8	54,0	17,5	19	19	22	GR-10S-8S
S	630	12	6	55,5	19,5	22	17	24	GR-12S-6S
S	630	12	8	55,5	19,5	22	19	24	GR-12S-8S
S	630	12	10	56,5	19,0	22	22	24	GR-12S-10S
S	630	14	6			24	17	27	GR-14S-6S
S	630	14	8			24	19	27	GR-14S-8S
S	630	14	10	60,0	20,5	24	22	27	GR-14S-10S
S	630	14	12	60,0	20,5	24	24	27	GR-14S-12S
S	630	16	6	59,5	20,0	27	17	30	GR-16S-6S
S	630	16	8	59,5	20,0	27	19	30	GR-16S-8S
S	630	16	10	60,5	20,0	27	22	30	GR-16S-10S
S	630	16	12	60,5	20,0	27	24	30	GR-16S-12S
S	630	16	14	63,5	21,5	27	27	30	GR-16S-14S
S	420	20	6	64,5	23,5	32	17	36	GR-20S-6S
S	420	20	8	64,5	21,0	32	19	36	GR-20S-8S
S	420	20	10	65,5	22,0	32	22	36	GR-20S-10S
S	420	20	12	65,5	22,0	32	24	36	GR-20S-12S
S	420	20	14	68,5	23,0	32	27	36	GR-20S-14S
S	420	20	16	69,5	23,0	32	30	36	GR-20S-16S
S	420	25	6			41	17	46	GR-20S-6S
S	420	25	8	71,5	26,5	41	19	46	GR-25S-8S
S	420	25	10	72,5	27,5	41	22	46	GR-25S-10S
S	420	25	12	72,5	24,0	41	24	46	GR-25S-12S
S	420	25	14	74,5	26,5	41	27	46	GR-25S-14S
S	420	25	16	74,5	25,5	41	30	46	GR-25S-16S
S	420	25	20	79,0	25,5	41	36	46	GR-25S-20S
S	420	30	10			46	22	50	GR-30S-10S
S	420	30	12	74,5	27,0	46	24	50	GR-30S-12S
S	420	30	14			46	27	50	GR-30S-14S
S	420	30	16	78,5	26,0	46	30	50	GR-30S-16S
S	420	30	20	81,5	26,0	46	36	50	GR-30S-20S
S	420	30	25	86,0	26,5	46	46	50	GR-30S-25S
S	420	38	10	75,5	24,5	55	22	60	GR-38S-10S
S	420	38	12			55	24	60	GR-38S-12S
S	420	38	14			55	27	60	GR-38S-14S
S	420	38	16	85,0	26,0	55	30	60	GR-38S-16S
S	420	38	20	88,0	28,0	55	36	60	GR-38S-20S
S	420	38	25	94,0	29,0	55	46	60	GR-38S-25S
S	420	38	30	95,5	29,5	55	50	60	GR-38S-30S