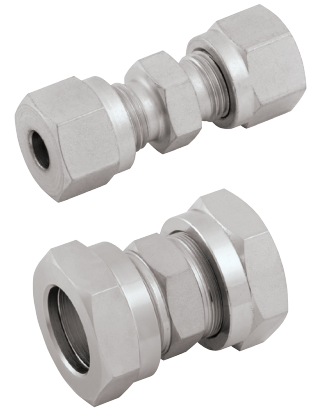
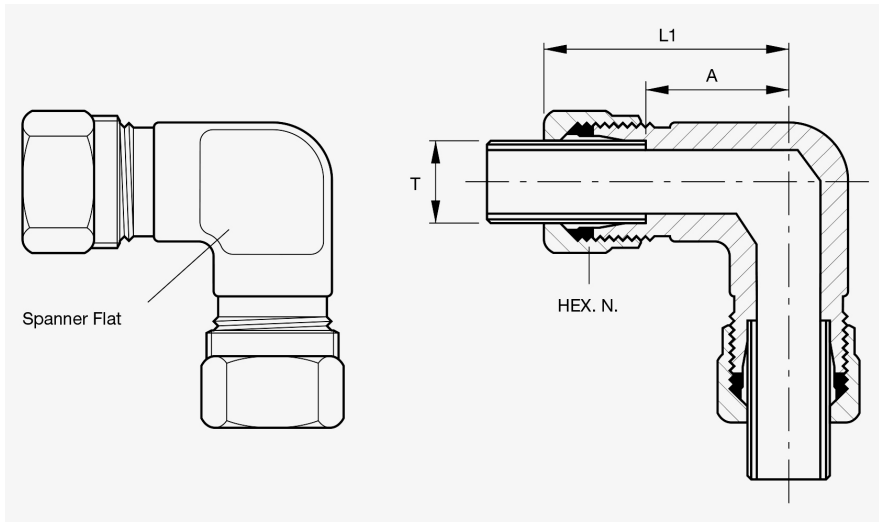


Hydraulic Imperial Compression Fittings



O.D. TUBES

Part No.	Tube Dia. T.	Nut Hexagon N.	A/F Spanner Flat	Tube Abutment A.	O/A Length L.
2018-8975	¼"	.710"	.468"	2 ¹ / ₃₂ "	1 ³ / ₈ "
2018-8991	5 ¹ / ₁₆ "	.710"	.600"	2 ³ / ₃₂ "	1 ¹ / ₁₆ "
2019-9007	3 ⁸ / ₁₆ "	.820"	.600"	1 ³ / ₁₆ "	1 ¹⁷ / ₃₂ "
2019-9015	½"	.920"	.710"	3 ¹ / ₃₂ "	1 ²⁹ / ₃₂ "
2018-9023	5 ⁸ / ₁₆ "	1.10"	.820"	1 ¹ / ₁₆ "	1 ²⁷ / ₃₂ "
2018-9031	¾"	1.20"	1.10"	1 ⁹ / ₁₆ "	2 ¹ / ₈ "
2018-9049	7 ⁸ / ₁₆ "	1.375"	1.10"	1 ⁷ / ₁₆ "	2 ⁵ / ₁₆ "
2018-9056	1"	1.67"	1.30"	1 ¹⁹ / ₃₂ "	2 ¹⁷ / ₃₂ "
2018-9064	1 ¹ / ₄ "	2.05"	1.56"	1 ¹⁵ / ₁₆ "	2 ²⁹ / ₃₂ "
2018-9072	1 ¹ / ₂ "	2.22"	1.80"	1 ¹⁵ / ₁₆ "	3 ³ / ₈ "

N.B. TUBES

Part No.	N.B. Tube Size T.	Nut Hexagon N.	A/F Spanner Flat	Tube Abutment A.	O/A Length L.
2018-9080	¼"	1.10"	.820"	1 ¹ / ₁₆ "	1 ²⁷ / ₃₂ "
2018-9098	3 ⁸ / ₁₆ "	1.20"	1.062"	1 ⁹ / ₁₆ "	2 ¹ / ₈ "
2018-9106	½"	1.375"	1.062"	1 ⁷ / ₁₆ "	2 ⁵ / ₁₆ "
2018-9114	3 ⁴ / ₁₆ "	1.67"	1.312"	1 ⁵ / ₈ "	2 ⁵ / ₈ "
2018-9122	1"	2.05"	1.56"	1 ¹⁵ / ₁₆ "	2 ²⁹ / ₃₂ "
2018-9130	1 ¹ / ₄ "	2.58"	2.31"	2 ⁷ / ₁₆ "	3 ¹⁷ / ₃₂ "

Technical Data:

- 1" O.D. 690 bar (10,000 psi) hydraulic or 345 bar (5,000 psi) gas.
 1.1/4" O.D. 552 bar (8,000 psi) hydraulic or 276 bar (4,000 psi) gas.

N.B. Couplings are suitable for the following pressures, up to and including:

- 3/4" N.B. 690 bar (10,000 psi) hydraulic or 345 bar (5,000 psi) gas.
 1" N.B. 552 bar (8,000 psi) hydraulic or 276 bar (4,000 psi) gas.
 1.1/2" N.B. 345 bar (5,000 psi) hydraulic or 173 bar (2,500 psi) gas.