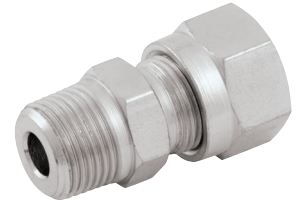
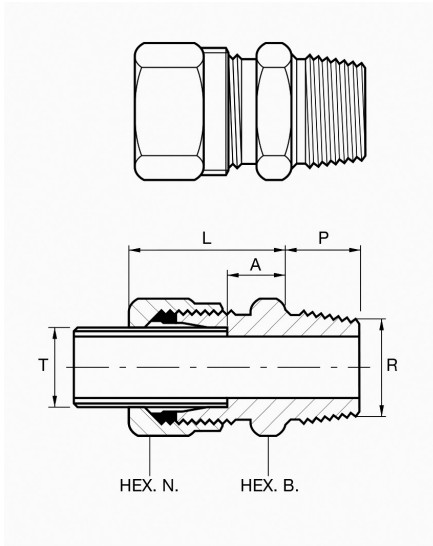


Hydraulic Imperial Compression Fittings

Steel Fittings for O.D. & N.B.



BSPT Male Stud Coupling O.D. Tube								
Supplier Part Number	Customer Part Number	T	R	N	B	A	P	L
MC4-4T	2018-8066	1/4"	1/4"	.710"	.625"	9/32"	7/16"	31/32"
MC6-4T	2018-8082	3/8"	1/4"	.820"	.710"	5/16"	7/16"	1.1/16"
MC6-6T	2018-8090	3/8"	3/8"	.820"	.710"	5/16"	1/2"	1.1/16"
MC8-4T	2018-8116	1/2"	1/4"	.920"	.820"	11/32"	7/16"	1.3/32"
MC8-6T	2018-8124	1/2"	3/8"	.920"	.820"	11/32"	1/2"	1.3/32"
MC8-8T	2018-8132	1/2"	1/2"	.920"	.920"	13/32"	5/8"	1.3/32"
MC10-8T	2018-8140	5/8"	1/2"	1.10"	.920"	3/8"	5/8"	1.5/32"
MC12-8T	2018-8157	3/4"	1/2"	1.20"	1.10"	7/16"	5/8"	1.1/4"
MC12-12T	2018-8215	3/4"	3/4"	1.20"	1.10"	7/16"	3/4"	1.1/4"
MC16-12T	2018-8223	1"	3/4"	1.67"	1.48"	19/32"	3/4"	1.17/32"
MC16-16T	2018-8231	1"	1"	1.67"	1.48"	19/32"	7/8"	1.17/32"
MC20-16T	2018-8249	1.1/4"	1"	2.05"	1.67"	3/4"	7/8"	1.3/4"
MC24-24T	2018-8272	1.1/2"	1.1/2"	2.22"	2.05"	13/16"	1"	1.7/8"