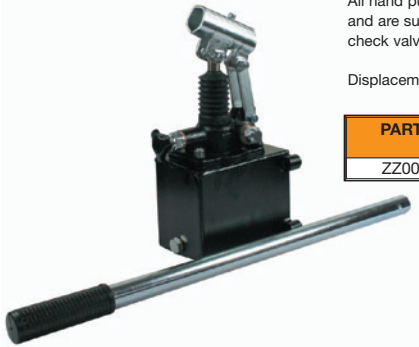


45cm³ SINGLE ACTING HANDPUMP ASSEMBLIES

45cm³ SINGLE ACTING HANDPUMP, 1L TANK & 600mm LEVER



All hand pumps are fully interchangeable with other leading Italian manufacturers and are supplied with rubber protection for the piston, pressure relief valve, check valve to lock a single acting cylinder and release knob.

Displacements, tank size and pressures as shown in the table below.

PART NO.	DISPLACEMENT CM ³	TANK SIZE LITRES	MAX WORKING PRESSURE BAR	MAX PRESSURE BAR	
ZZ000954	45	1	220	280	

FURTHER INFORMATION AND TECHNICAL HANDPUMP PDF IS AVAILABLE TO DOWNLOAD FROM OUR WEBSITE AT www.flowfitonline.com

45cm³ SINGLE ACTING HANDPUMP, 2L TANK & 600mm LEVER



All hand pumps are fully interchangeable with other leading Italian manufacturers and are supplied with rubber protection for the piston, pressure relief valve, check valve to lock a single acting cylinder and release knob.

Displacements, tank size and pressures as shown in the table below.

PART NO.	DISPLACEMENT CM ³	TANK SIZE LITRES	MAX WORKING PRESSURE BAR	MAX PRESSURE BAR	
ZZ000955	45	2	220	280	

FURTHER INFORMATION AND TECHNICAL HANDPUMP PDF IS AVAILABLE TO DOWNLOAD FROM OUR WEBSITE AT www.flowfitonline.com

45cm³ SINGLE ACTING HANDPUMP, 3L TANK & 600mm LEVER



All hand pumps are fully interchangeable with other leading Italian manufacturers and are supplied with rubber protection for the piston, pressure relief valve, check valve to lock a single acting cylinder and release knob.

Displacements, tank size and pressures as shown in the table below.

PART NO.	DISPLACEMENT CM ³	TANK SIZE LITRES	MAX WORKING PRESSURE BAR	MAX PRESSURE BAR	
ZZ000956	45	3	220	280	

FURTHER INFORMATION AND TECHNICAL HANDPUMP PDF IS AVAILABLE TO DOWNLOAD FROM OUR WEBSITE AT www.flowfitonline.com

45cm³ SINGLE ACTING HANDPUMP, 5L TANK & 600mm LEVER



All hand pumps are fully interchangeable with other leading Italian manufacturers and are supplied with rubber protection for the piston, pressure relief valve, check valve to lock a single acting cylinder and release knob.

Displacements, tank size and pressures as shown in the table below.

PART NO.	DISPLACEMENT CM ³	TANK SIZE LITRES	MAX WORKING PRESSURE BAR	MAX PRESSURE BAR	
ZZ000957	45	5	220	280	

FURTHER INFORMATION AND TECHNICAL HANDPUMP PDF IS AVAILABLE TO DOWNLOAD FROM OUR WEBSITE AT www.flowfitonline.com

45cm³ SINGLE ACTING HANDPUMP, 7L TANK & 600mm LEVER



All hand pumps are fully interchangeable with other leading Italian manufacturers and are supplied with rubber protection for the piston, pressure relief valve, check valve to lock a single acting cylinder and release knob.

Displacements, tank size and pressures as shown in the table below.

PART NO.	DISPLACEMENT CM ³	TANK SIZE LITRES	MAX WORKING PRESSURE BAR	MAX PRESSURE BAR	
ZZ000958	45	7	220	280	

FURTHER INFORMATION AND TECHNICAL HANDPUMP PDF IS AVAILABLE TO DOWNLOAD FROM OUR WEBSITE AT www.flowfitonline.com

45cm³ SINGLE ACTING HANDPUMP, 10L TANK & 600mm LEVER



All hand pumps are fully interchangeable with other leading Italian manufacturers and are supplied with rubber protection for the piston, pressure relief valve, check valve to lock a single acting cylinder and release knob.

Displacements, tank size and pressures as shown in the table below.

PART NO.	DISPLACEMENT CM ³	TANK SIZE LITRES	MAX WORKING PRESSURE BAR	MAX PRESSURE BAR	
ZZ000959	45	10	220	280	

FURTHER INFORMATION AND TECHNICAL HANDPUMP PDF IS AVAILABLE TO DOWNLOAD FROM OUR WEBSITE AT www.flowfitonline.com