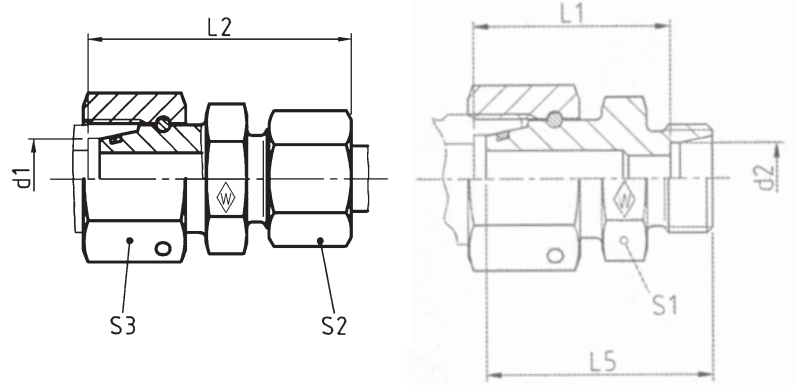


P-REDVDN .../...

Series S
 with taper and O-ring NBR* (e. g. Perbunan)

Baureihe S
 mit Dichtkegel und O-Ring NBR* (z. B. Perbunan)

Série S
 avec cône d'étanchéité et joint torique
 NBR* (p. ex. Perbunan)



| bar | Tube OD | Type | Reference | kg per 100 pcs. | | | | | | | *O-ring | |
|----------------|----------------|----------------|-------------------------|--------------------|----------------|----------------|----------------|----------------|----------------|----------------|---------|-------------------|
| PN | Rohr-AD | Typ | Best.-Nr. | kg per 100 St. | L ₅ | L ₂ | L ₁ | S ₁ | S ₂ | S ₃ | | *O-Ring |
| (psi) | Tube Ø ext. | Désignation | Réf. | kg par 100 p. | | | | | | | | *Joint torique |
| | d ₁ | d ₂ | | | | | | | | | | |
| 800 (11603) | 8 | 6 | P-REDVDN 8/6 S | WAL619164 | 6,5 | 32,5 | 41,5 | 27,0 | 14 | 17 | 19 | 6 x 1,5 |
| | | 10 | P-REDVDN 10/6 S | WAL619165 | 7,7 | 33 | 42 | 27,5 | 17 | 17 | 22 | 8,5 x 1,5 |
| | | 8 | P-REDVDN 10/8 S | WAL619166 | 9,0 | 33 | 42 | 27,5 | | 19 | | |
| 630 (9137) | 12 | 6 | P-REDVDN 12/6 S | WAL619167 | 10,0 | 35,5 | 44,5 | 30,0 | | 17 | | |
| | | 8 | P-REDVDN 12/8 S | WAL619168 | 9,4 | 35,5 | 44,5 | 30,0 | 19 | 19 | 24 | 10 x 1,5 |
| | | 10 | P-REDVDN 12/10 S | WAL619169 | 11,5 | 35,5 | 45 | 29,5 | | 22 | | |
| | 14 | 6 | P-REDVDN 14/6 S | WAL619170 | 10,2 | 36,5 | 46 | 31,5 | | 17 | | |
| | | 8 | P-REDVDN 14/8 S | WAL619171 | 11,1 | 36,5 | 46 | 31,5 | 22 | 19 | 27 | 12 x 2 |
| | | 10 | P-REDVDN 14/10 S | WAL619172 | 13,4 | 36,5 | 46,5 | 31,0 | | 22 | | |
| 16 | 12 | 12 | P-REDVDN 14/12 S | WAL619173 | 14,3 | 36,5 | 46,5 | 31,0 | | 24 | | |
| | | 6 | P-REDVDN 16/6 S | WAL619174 | 13,3 | 36,5 | 46,5 | 32,0 | | 17 | | |
| | 14 | 8 | P-REDVDN 16/8 S | WAL619175 | 14,0 | 36,5 | 46,5 | 32,0 | 22 | 19 | 30 | 14 x 2 |
| | | 10 | P-REDVDN 16/10 S | WAL619176 | 16,5 | 36,5 | 47 | 31,5 | | 22 | | |
| 420 (6091) | 20 | 12 | P-REDVDN 16/12 S | WAL619177 | 17,0 | 36,5 | 47 | 31,5 | | 24 | | |
| | | 14 | P-REDVDN 16/14 S | WAL619178 | 18,3 | 38,5 | 50,5 | 33,0 | 24 | 27 | 30 | 14 x 2 |
| | | 6 | P-REDVDN 20/6 S | WAL619179 | 18,0 | 40 | 50,5 | 36,0 | | 17 | | |
| | | 8 | P-REDVDN 20/8 S | WAL619180 | 21,0 | 40 | 50,5 | 36,0 | | 19 | | |
| | | 10 | P-REDVDN 20/10 S | WAL619181 | 24,3 | 40 | 51 | 35,5 | 27 | 22 | 36 | 17,3 x 2,4 |
| | | 12 | P-REDVDN 20/12 S | WAL619182 | 23,0 | 40 | 51 | 35,5 | | 24 | | |
| | | 14 | P-REDVDN 20/14 S | WAL619183 | 25,2 | 42 | 54,5 | 37,0 | | 27 | | |
| | | 16 | P-REDVDN 20/16 S | WAL619184 | 26,6 | 42 | 54,5 | 38,5 | | 30 | | |

L₂ = approximate length with nut tightened
 L₂ = Ungefährmaß bei angezogener Überwurfmutter
 L₂ = longueur approximative, l'écrou étant bloqué

* FPM (e. g. Viton) on request
 * FPM (z. B. Viton) auf Anfrage
 * FPM (p. ex. Viton) sur demande

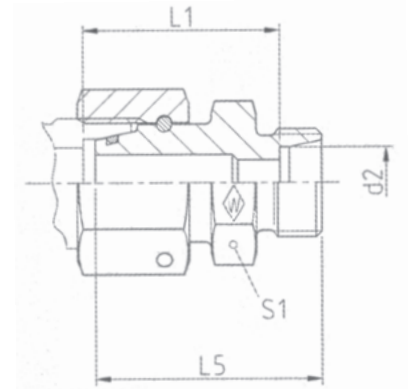
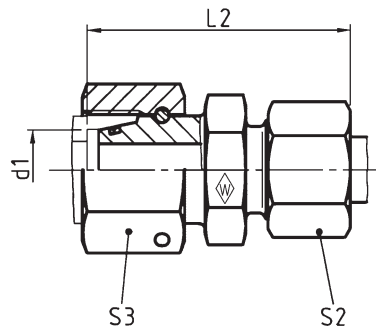


P-REDVDN .../...

Series S
 with taper and O-ring NBR* (e. g. Perbunan)

Baureihe S
 mit Dichtkegel und O-Ring NBR* (z. B. Perbunan)

Série S
 avec cône d'étanchéité et joint torique
 NBR* (p. ex. Perbunan)



| bar | Tube OD | Type | Reference | kg per 100 pcs. | | | | | | | *O-ring | |
|---------------|----------------|----------------|-------------------------|--------------------|----------------|----------------|----------------|----------------|----------------|----------------|-------------------|------------|
| PN | Rohr-AD | Typ | Best.-Nr. | kg per 100 St. | | | | | | | *O-Ring | |
| (psi) | Tube Ø ext. | Désignation | Réf. | kg par 100 p. | | | | | | | *Joint torique | |
| | d ₁ | d ₂ | | | L ₅ | L ₂ | L ₁ | S ₁ | S ₂ | S ₃ | | |
| 420 (6091) | 25 | 6 | P-REDVDN 25/6 S | WAL619185 | 34,9 | 41 | 53 | 38,5 | | 17 | | |
| | | 8 | P-REDVDN 25/8 S | WAL619186 | 35,0 | 41 | 53 | 38,5 | | 19 | | |
| | | 10 | P-REDVDN 25/10 S | WAL619187 | 36,5 | 41 | 53,5 | 38,0 | | 22 | | |
| | | 12 | P-REDVDN 25/12 S | WAL619188 | 37,0 | 41 | 53,5 | 38,0 | 36 | 24 | 46 | 22,3 x 2,4 |
| | | 14 | P-REDVDN 25/14 S | WAL619189 | 40,5 | 43 | 57 | 39,5 | | 27 | | |
| | | 16 | P-REDVDN 25/16 S | WAL619190 | 41,0 | 43 | 57 | 39,0 | | 30 | | |
| | | 20 | P-REDVDN 25/20 S | WAL619191 | 47,5 | 45 | 60 | 39,0 | | 36 | | |
| 400 (5801) | 30 | 6 | P-REDVDN 30/6 S | WAL619192 | 43,0 | 45 | 58,5 | 44,0 | | 17 | | |
| | | 8 | P-REDVDN 30/8 S | WAL619193 | 43,0 | 45 | 58,5 | 44,0 | | 19 | | |
| | | 10 | P-REDVDN 30/10 S | WAL619194 | 44,0 | 45 | 59 | 43,5 | | 22 | | |
| | | 12 | P-REDVDN 30/12 S | WAL619195 | 46,1 | 45 | 59 | 43,5 | 41 | 24 | 50 | 27,3 x 2,4 |
| | | 14 | P-REDVDN 30/14 S | WAL619196 | 47,9 | 47 | 62,5 | 45,0 | | 27 | | |
| | | 16 | P-REDVDN 30/16 S | WAL619197 | 46,1 | 47 | 62,5 | 44,5 | | 30 | | |
| | | 20 | P-REDVDN 30/20 S | WAL619198 | 53,9 | 49 | 65,5 | 44,5 | | 36 | | |
| | | 25 | P-REDVDN 30/25 S | WAL619199 | 65,9 | 51 | 68,5 | 45,0 | | 46 | | |
| 400 (5801) | 38 | 6 | P-REDVDN 38/6 S | WAL619200 | 60,0 | 46 | 62 | 47,5 | | 17 | | |
| | | 8 | P-REDVDN 38/8 S | WAL619201 | 60,0 | 46 | 62 | 47,5 | | 19 | | |
| | | 10 | P-REDVDN 38/10 S | WAL619202 | 60,5 | 46 | 62,5 | 47,0 | | 22 | | |
| | | 12 | P-REDVDN 38/12 S | WAL619203 | 63,1 | 46 | 62,5 | 47,0 | | 24 | | |
| | | 14 | P-REDVDN 38/14 S | WAL619204 | 66,7 | 48 | 66 | 48,5 | 50 | 27 | 60 | 35 x 2,5 |
| | | 16 | P-REDVDN 38/16 S | WAL619205 | 68,0 | 48 | 66 | 48,0 | | 30 | | |
| | | 20 | P-REDVDN 38/20 S | WAL619206 | 70,0 | 50 | 69 | 48,0 | | 36 | | |
| | | 25 | P-REDVDN 38/25 S | WAL619207 | 82,5 | 52 | 72 | 48,5 | | 46 | | |
| | | 30 | P-REDVDN 38/30 S | WAL619208 | 87,8 | 54 | 75 | 49,0 | | 50 | | |

L₂ = approximate length with nut tightened
 L₂ = Ungefährmaß bei angezogener Überwurfmutter
 L₂ = longueur approximative, l'écrou étant bloqué

* FPM (e. g. Viton) on request
 * FPM (z. B. Viton) auf Anfrage
 * FPM (p. ex. Viton) sur demande