

# Reducing Outlet Tee (Metric)



## Benefits:

- Leak free o-ring seal
- Safe joint every time
- Low tightening torque and clamping force rises with the internal pressure.
- Low installed cost, no welding (so inert gas purging, NDT and excessive flushing are not required), minimal tube preparation and no special assembly equipment required.
- Demountable and reusable, can be used with most tube materials.

## Features:

Body – mild steel, stainless steel or cupro-nickel.  
Compatible with most fluids and environments. Locates o-ring and tube.

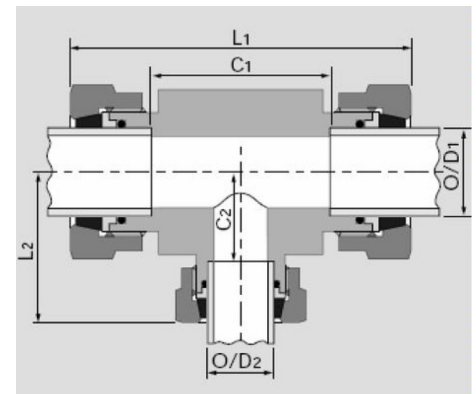
O-ring – nitrile, FPM (Viton), EP or FEP encapsulated FPM. Compatible with most fluids. Highly resistant to leakage even under severe vibration, pressure pulsation and temperature cycling. Provides diametric seal between tube OD and body cavity.

Nut – mild steel, stainless steel or cupro-nickel.  
Compatible with most environments. Closes split collet and retains sealing mechanism.


Back-up washer – mild steel, stainless steel, or cupro-nickel. Provides additional support for the tube and locates the o-ring.

Split collet – mild steel, stainless steel or cupro-nickel.  
Clamping force rises with pressure. Large clamping area ensures minimal deformation of the tube. Retains tube in position.

- 3:1 safety factor
- Derate by 50% for high pressure gas systems
- Pressure ratings based on the tube OD tolerance to BS3602 and DIN2391C



 **Working Temperature:**  
Nitrile: -40°C to +100°C  
Viton: -20°C to +150°C

 **Maximum Working Pressure:**  
6mm to 22mm: 680 bar  
25mm to 50mm: 500 bar

**All fittings also available in the following materials upon request:**

- Stainless steel
- Cupro-nickel

**Seals available on request:**

- EP (ethylene propylene)
- FEP encapsulated FPM

All fittings supplied with Nitrile seals as standard.

Primary Item No	O/D 1 mm	O/D 2 mm	Part No	L1 mm	L2 mm	C1 mm	C2 mm	Nut 1 A/F mm	Nut 2 A/F mm	Body A/F mm	*Max WP Bar
5057721	8	6	KRAM8-M6ROTR	57	29	27	14	17	16	19	680
5011419	10	6	KRAM10-M6ROTR	71	32	27	17	27	16	27	680
5011494	12	8	KRAM12-M8ROTR	71	32	27	17	27	17	27	680
5011569	16	8	KRAM16-M8ROTR	79	39	33	17	32	17	30	680
5011643	20	8	KRAM20-M8ROTR	103	37	43	22	41	17	38	680
5011637	20	12	KRAM20-M12ROTR	103	44	43	22	41	27	38	680
5011701	25	12	KRAM25-M12ROTR	105	44	45	22	46	27	41	500
5011703	25	16	KRAM25-M16ROTR	105	44	45	22	46	32	41	500
5011754	38	16	KRAM38-M16ROTR	125	50	57	27	50	32	48	500
5011806	38	8	KRAM38-M8ROTR	147	48	32	33	60	17	54	500
5011801	38	12	KRAM38-M12ROTR	147	53	71	31	60	27	54	500

\*Derate maximum working pressure by 50% for high pressure gas systems.