

CLUTCHES AND GEARBOXES

PUMP BEARING SUPPORTS

PRODUCT	PAGE
GROUP 1 BEARING SUPPORT	315
GROUP 2 BEARING SUPPORT	315
GROUP 2 BEARING SUPPORT REINFORCED	316
GROUP 2 BEARING SUPPORT REINFORCED	316
GROUP 3 BEARING SUPPORT	317



QUALITY PRODUCTS

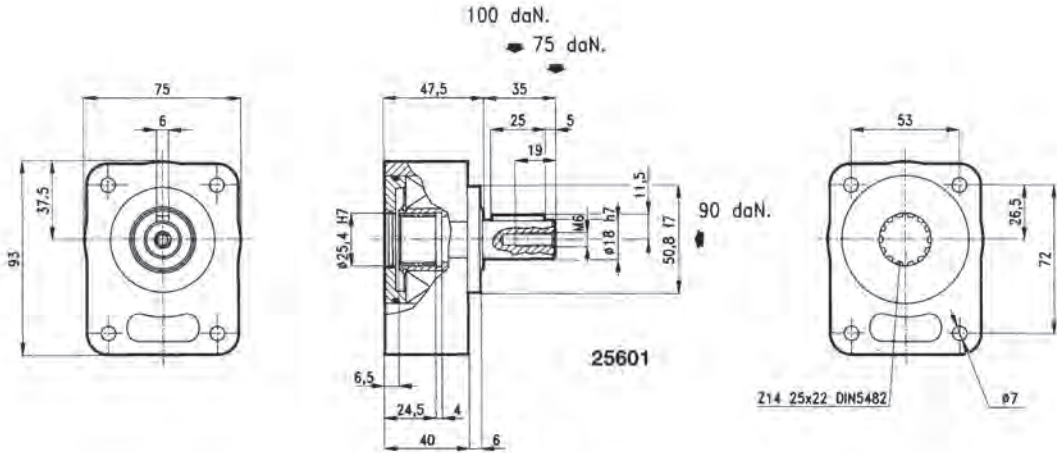


FREE ADVICE

If the part number needed is not listed please ask the Flowfit Sales Team

GROUP 1 BEARING SUPPORT

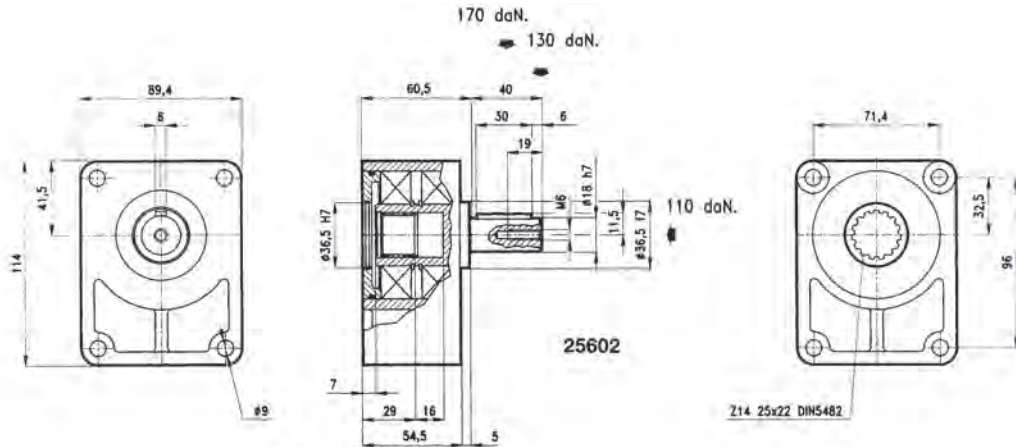
www.flowfitonline.com
TECH. DATA SHEET
PBS01



PART NO.	DESCRIPTION	NETT. PRICE	
		£ STERLING	€ EUROS
24 - 25601	Pump Bearing Support Support gr.1 cylindrical shaft	£50.18	€ 67.74

GROUP 2 BEARING SUPPORT

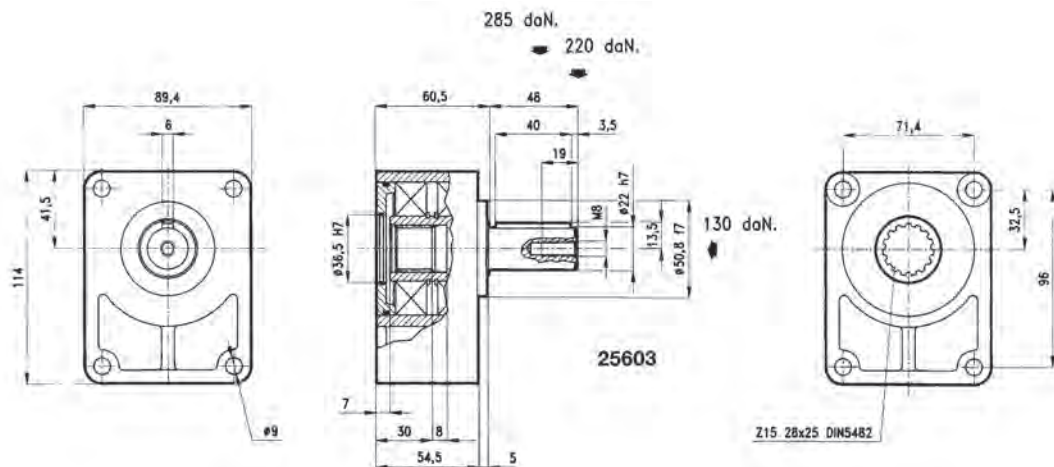
www.flowfitonline.com
TECH. DATA SHEET
PBS02



PART NO.	DESCRIPTION	NETT. PRICE	
		£ STERLING	€ EUROS
24 - 25602	Pump Bearing Support Support gr.2 cylindrical shaft	£58.50	€ 78.98

GROUP 2 BEARING SUPPORT REINFORCED

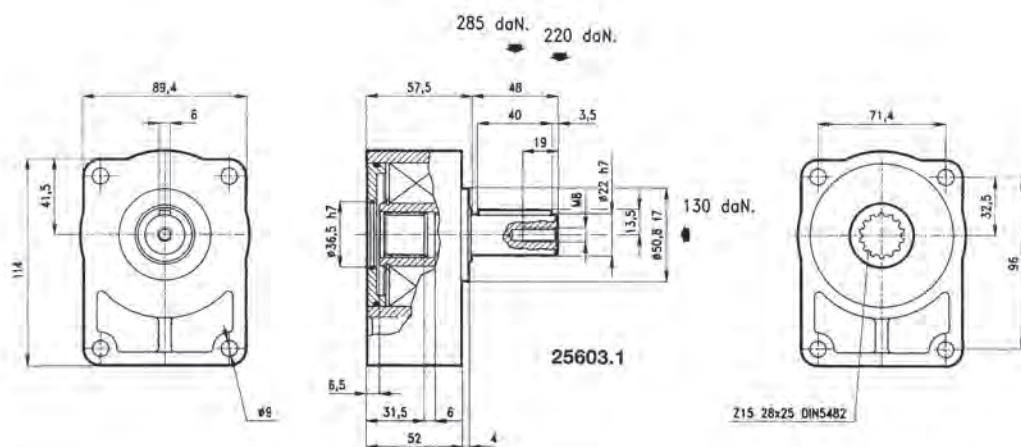
www.flowfitonline.com
TECH. DATA SHEET
PBS02



PART NO.	DESCRIPTION	NETT. PRICE	
		£ STERLING	€ EUROS
24 - 25603	Pump Bearing Support gr.2/R cylindrical shaft 2 bearings	£63.97	€ 86.36

GROUP 2 BEARING SUPPORT REINFORCED

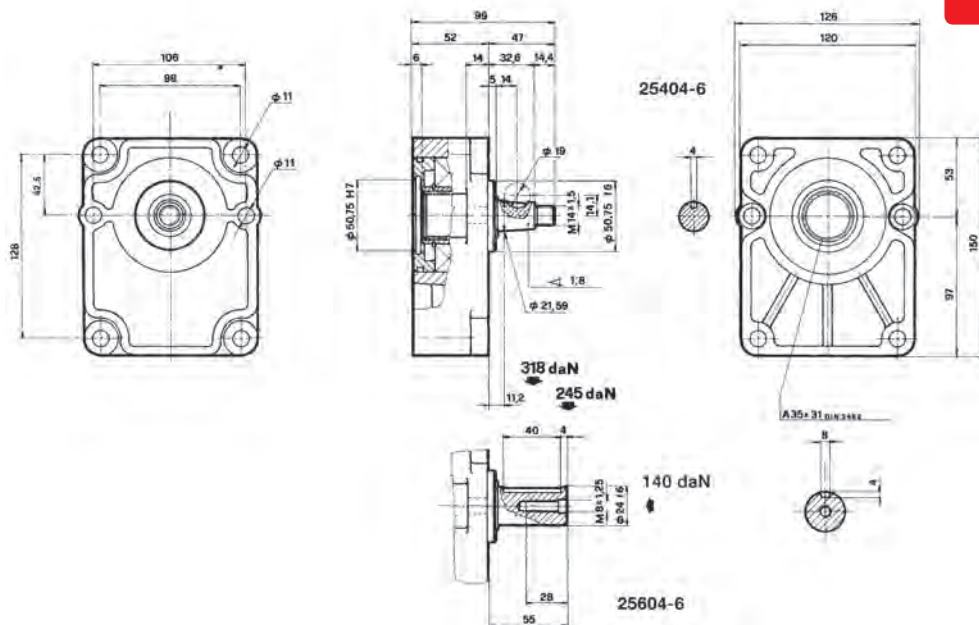
www.flowfitonline.com
TECH. DATA SHEET
PBS02



PART NO.	DESCRIPTION	NETT. PRICE	
		£ STERLING	€ EUROS
24 - 25603-1	Pump Bearing Support gr.2/R cylindrical shaft 1 bearing	£63.97	€ 86.36

GROUP 3 BEARING SUPPORT

www.flowfitonline.com
TECH. DATA SHEET
PBS03



PART NO.	DESCRIPTION	NETT. PRICE	
		£ STERLING	€ EUROS
24 - 25604-6	Pump Bearing Support gr.3 cylindrical shaft 6 holes	£89.72	€ 121.11

If the part number needed is not listed please ask the Flowfit Sales Team