

CLUTCHES AND GEARBOXES

PTO GEARBOXES

PRODUCT	PAGE
SERIES 60000 PTO GEARBOX PUMP GROUP 2 • 10KW	308
SERIES 70000 PTO GEARBOX PUMP GROUP 3 • 20KW	309
SERIES 70012 CAST IRON PTO GEARBOX PUMP GROUP 3 • 37KW	310



**FROM
ONLY
£113.89
+VAT**



**FROM
ONLY
£136.51
+VAT**



QUALITY PRODUCTS

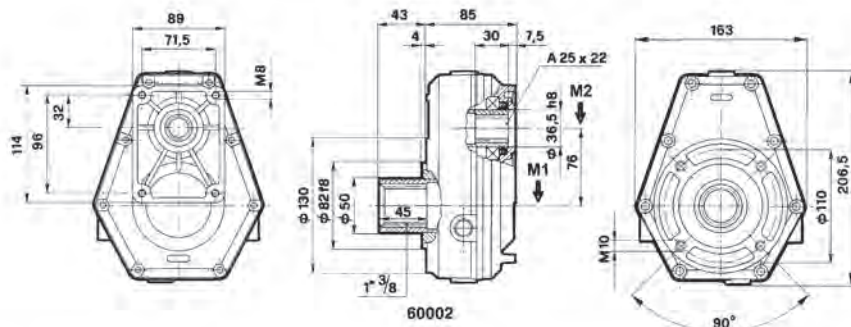


FREE ADVICE



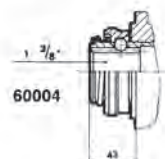
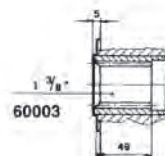
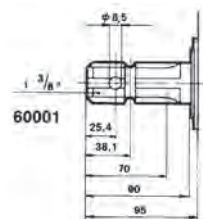
SERIES 60000 PTO GEARBOX PUMP GROUP 2 • 10KW

www.flowfitonline.com
TECH. DATA SHEET
PTOG01



MAX OIL LEVEL 0.22 LITRE

M1 MAXIMUM CONTINUOUS TORQUE OF THE PTO GEARBOX (Input side daNm)	M2 MAXIMUM TORQUE OF THE PTO GEARBOX (Output side daNm)	N1 TRACTOR OUTPUT SPEED RPM	N2 FINAL OUTPUT SPEED OF PUMP/GEARBOX ASSEMBLY RPM	I RATIO OF SPEED INCREASE	KW MAX TRANSMITTABLE POWER	WEIGHT KG
17,8	11,9	540	810	1,5	10	5,5
15,2	7,6	540	1080	2	10	5,5
16,5	6,6	540	1350	2,5	10	5,5
18	5,5	540	1680	3	10	5,5
18,6	5,8	540	1636	3,5	10	5,5
15,9	4,2	540	2052	3,8	10	5,5

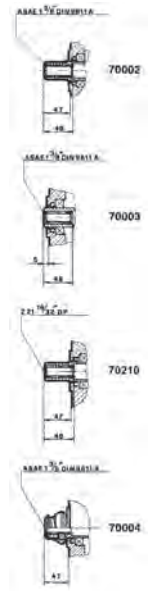
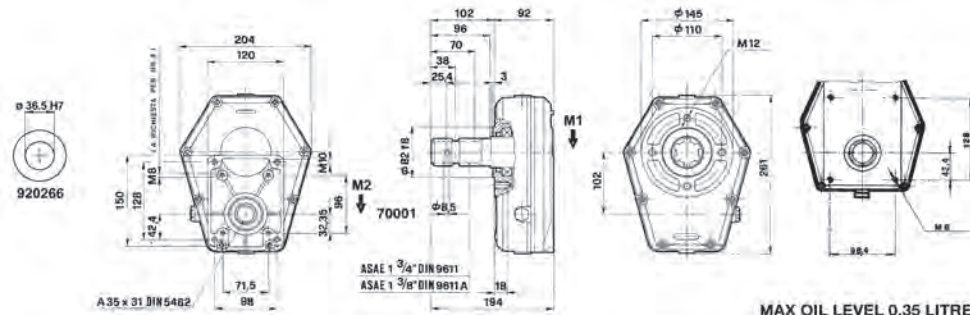


FACTORY PREFIX	PTO GEARBOX	RATIO AVAILABLE
33	60001	1,5
	60002	2
	60003	2,5
	60004	3
		3,5
		3,8

PART NO.	MALE SHAFT	NETT. PRICE
33 - 60001-4	PTO Gearbox Group 2 Pump Fixing Male Shaft Ratio 1:3	£ 113.89 € 153.75
33 - 60001-6	PTO Gearbox Group 2 Pump Fixing Male Shaft Ratio 1:3.8	£ 113.89 € 153.75
33 - 60001-6/0	PTO Gearbox Group 2 Pump Fixing Male Shaft Ratio 1:3.8 with oil level inverted	£ 100.63 € 135.85
PART NO.	FEMALE SHAFT (NO QUICK RELEASE COUPLING)	NETT. PRICE
33 - 60002-2	PTO Gearbox Group 2 Female Shaft Long Ratio 1:2	£ 113.89 € 153.75
33 - 60002-6	PTO Gearbox Group 2 Female Shaft Long Ratio 1:3.8	£ 100.63 € 135.85
33 - 60003-6	PTO Gearbox Group 2 Female Shaft Short Ratio 1:3.8	£ 100.63 € 135.85
PART NO.	FEMALE SHAFT (C/W QUICK RELEASE COUPLING)	NETT. PRICE
33 - 60004-2	PTO Gearbox Group 2 Female Shaft C/W Quick Release Ratio 1:2	£ 131.05 € 176.91
33 - 60004-4	PTO Gearbox Group 2 Female Shaft C/W Quick Release Ratio 1:3	£ 117.00 € 157.94
33 - 60004-6	PTO Gearbox Group 2 Female Shaft C/W Quick Release Ratio 1:3.8	£ 117.00 € 157.94

SERIES 70000 PTO GEARBOX PUMP GROUP 3 • 20KW

www.flowfitonline.com
TECH. DATA SHEET
PTOG02



MAX OIL LEVEL 0.35 LITRE

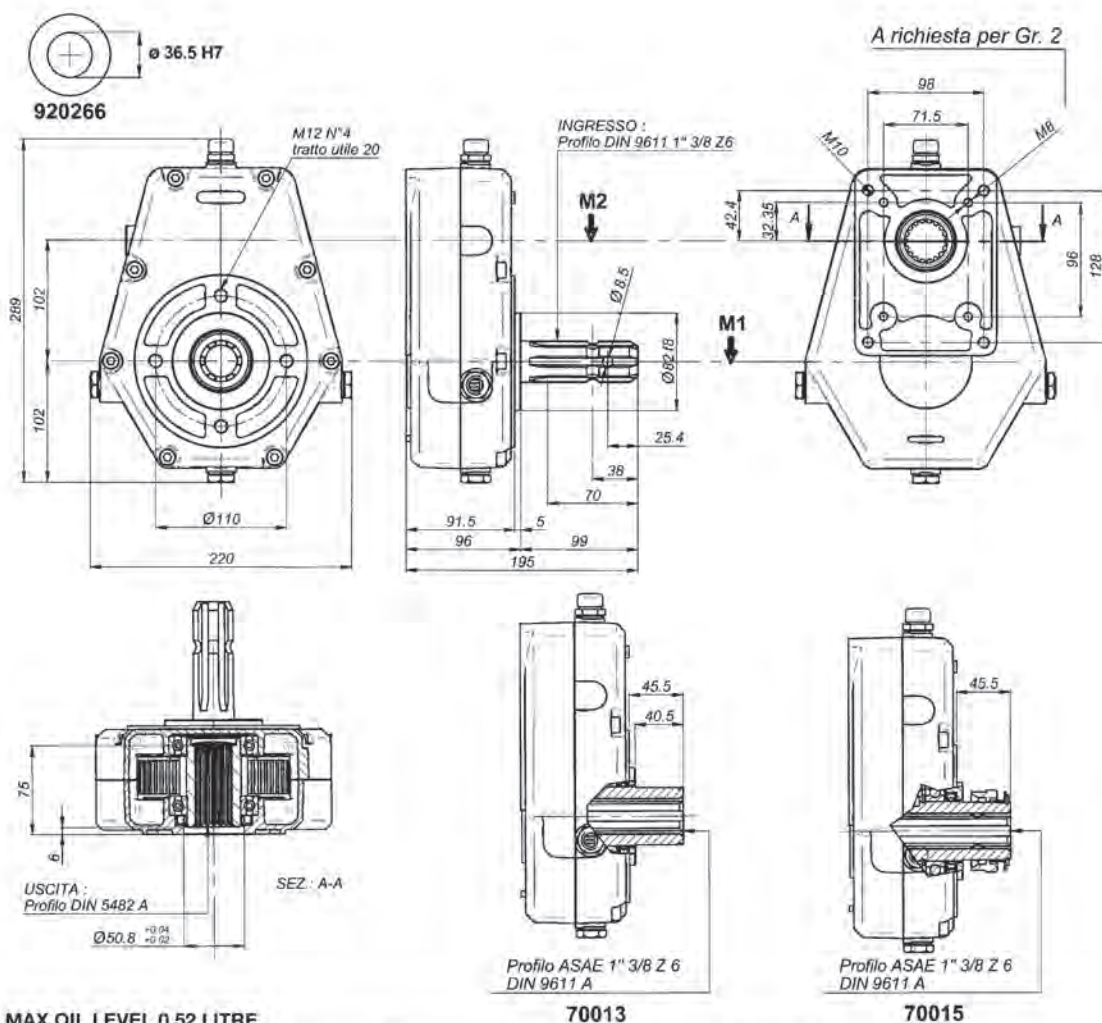
M1 MAXIMUM CONTINUOUS TORQUE OF THE PTO GEARBOX (Input side daNm)	M2 MAXIMUM TORQUE OF THE PTO GEARBOX (Output side daNm)	N1 TRACTOR OUTPUT SPEED RPM	N2 FINAL OUTPUT SPEED OF PUMP/GEARBOX ASSEMBLY RPM	I RATIO OF SPEED INCREASE	KW MAX TRANSMITTABLE POWER	WEIGHT KG
31	31	540	540	1	20	8,1
38	26	540	810	1,5	20	8,1
43	21	540	1080	2	20	8,1
46	18	540	1408	2,5	20	8,1
49	16	540	1620	3	20	8,1
46	13	540	1836	3,5	20	8,1
43,7	11,5	540	2057	3,8	20	8,1

	PTO GEARBOX	RATIO AVAILABLE
FACTORY PREFIX 34	70001	1
	70002	1,5
	70003	2
	70004	2,5
	70210	3
		3,5
		3,8

PART NO.	MALE SHAFT	NETT. PRICE	
		£ STERLING	€ EUROS
34 - 70001-4	PTO Gearbox Group 3 Pump Fixing Male Shaft Ratio 1:3	£136.50	€ 184.27
34 - 70001-5	PTO Gearbox Group 3 Pump Fixing Male Shaft Ratio 1:3.5	£136.50	€ 184.27
PART NO.	FEMALE SHAFT	NETT. PRICE	
		£ STERLING	€ EUROS
34 - 70004-4	PTO Gearbox Group 3 Female Shaft C/W Quick Release Ratio 1:3	£154.45	€ 208.50
34 - 70004-5	PTO Gearbox Group 3 Female Shaft C/W Quick Release Ratio 1:3.5	£154.45	€ 208.50

SERIES 70012 CAST IRON PTO GEARBOX PUMP GROUP 3 • 37KW

www.flowfitonline.com
TECH. DATA SHEET
PTOG03



MAX OIL LEVEL 0.52 LITRE

M1 MAXIMUM CONTINUOUS TORQUE OF THE PTO GEARBOX (Input side daNm)	M2 MAXIMUM TORQUE OF THE PTO GEARBOX (Output side daNm)	N1 TRACTOR OUTPUT SPEED RPM	N2 FINAL OUTPUT SPEED OF PUMP/GEARBOX ASSEMBLY RPM	I RATIO OF SPEED INCREASE	KW MAX TRANSMITTABLE POWER	WEIGHT KG
66	66	540	540	1	37	14.5
66	44	540	810	1.5	37	14.5
66	33	540	1080	2	37	14.5
66	26.4	540	1408	2.5	37	14.5
66	22	540	1620	3	37	14.5
66	18	540	1836	3.5	35	14.5
66	16.6	540	2057	3.8	35	14.5

PART NO.	MALE SHAFT	NETT. PRICE	
		£ STERLING	€ EUROS
121-70012-4	Heavy Duty Cast Iron PTO Gearbox Group 3 Pump Fixing Male Shaft Ratio 1:3	£323.51	€ 436.75
121-70012-5	Heavy Duty Cast Iron PTO Gearbox Group 3 Pump Fixing Male Shaft Ratio 1:3.5	£323.51	€ 436.75

PART NO.	FEMALE SHAFT (C/W QUICK RELEASE COUPLING)	NETT. PRICE	
		£ STERLING	€ EUROS
121-70015-3	Heavy Duty Cast Iron PTO Gearbox Group 3 Pump Fixing Female Shaft Quick Release Ratio 1:3	£326.05	€ 440.18
121-70015-3.5	Heavy Duty Cast Iron PTO Gearbox Group 3 Pump Fixing Female Shaft Quick Release Ratio 1:3.5	£326.05	€ 440.18