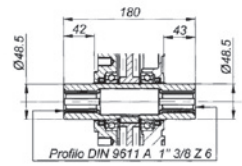
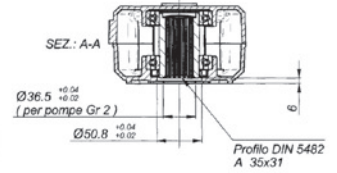
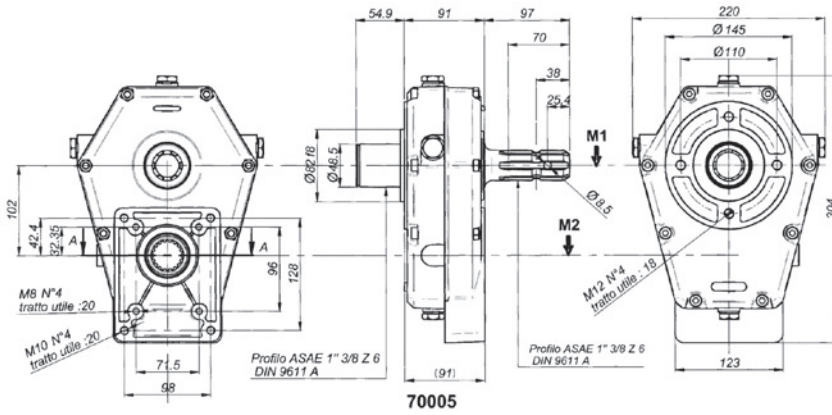
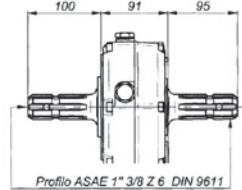


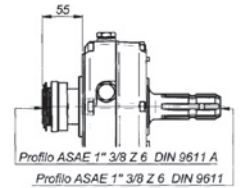
SERIES 70000 PTO GEARBOX WITH THROUGH SHAFTS PUMP GROUP 3 • 20KW FLOWFIT



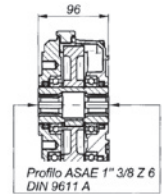
70006



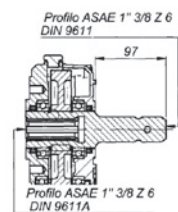
70007



70008



70009



70011

MAX OIL LEVEL 0.35 LITRE

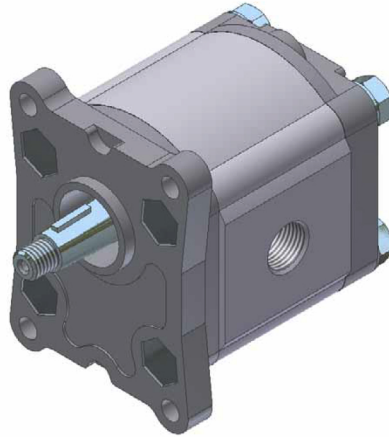
M1 MAXIMUM CONTINUOUS TORQUE OF THE PTO GEARBOX (Input side daNm)	M2 MAXIMUM TORQUE OF THE PTO GEARBOX (Output side daNm)	N1 TRACTOR OUTPUT SPEED RPM	N2 FINAL OUTPUT SPEED OF PUMP/GEARBOX ASSEMBLY RPM	I RATIO OF SPEED INCREASE	KW MAX TRANSMITTABLE POWER	WEIGHT KG
31	31	540	540	1	20	9,5
38	26	540	810	1,5	20	9,5
43	21	540	1080	2	20	9,5
46	18	540	1408	2,5	20	9,5
49	16	540	1620	3	20	9,5
46	13	540	1836	3,5	20	9,5
43,7	11,5	540	2057	3,8	20	9,5

FACTORY PREFIX
34

PTO GEARBOX
70005
70006
70007
70008
70009
70011

RATIO AVAILABLE
1
1,5
2
2,5
3
3,5
3,8

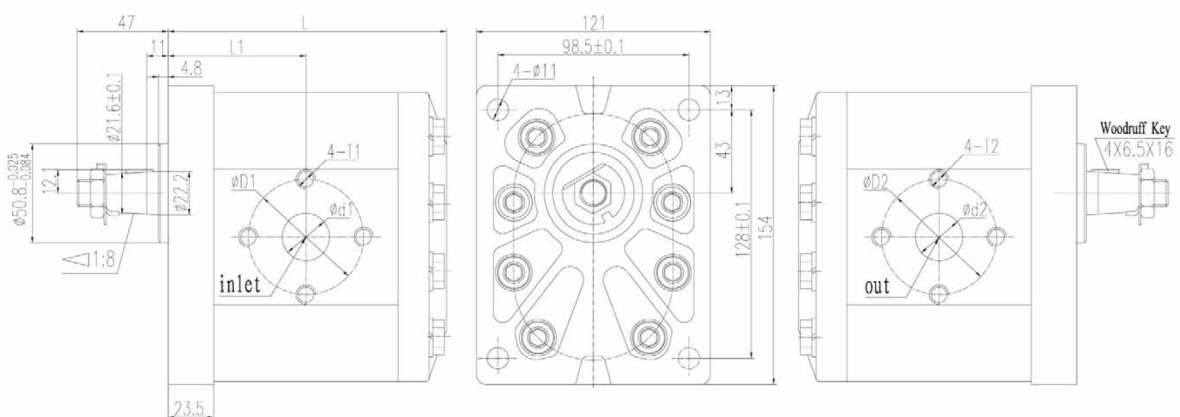
European flange



Type	Displacement c.c.	Pressure Mpa		Speed			L (mm)	L1 (mm)
		Rated	Peak	Rated	Max.	Min.		
VNK-3-22-*-5-*-C	22	25	30	2000	3000	400	128.5	65.5
VNK-3-26-*-5-*-C	26	25	30	2000	3000	400	131.5	67
VNK-3-34-*-5-*-C	34	25	30	2000	3000	400	137	69.8
VNK-3-39-*-5-*-C	39	25	30	2000	3000	400	141	71.8
VNK-3-43-*-5-*-C	43	25	30	2000	2800	400	143.5	73
VNK-3-51-*-5-*-C	51	25	30	2000	2800	400	149.5	76
VNK-3-60-*-5-*-C	60	20	25	1500	2800	400	156	79.3
VNK-3-70-*-5-*-C	70	20	23	1500	2500	400	163	82.8
VNK-3-78-*-5-*-C	78	20	23	1500	2300	400	169.2	85.2
VNK-3-89-*-5-*-C	89	18	20	1500	2000	400	174.2	88.2

Rotation: A Left C Right

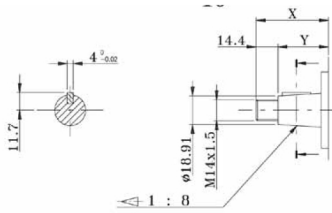
Dimensions:



Flange type 5

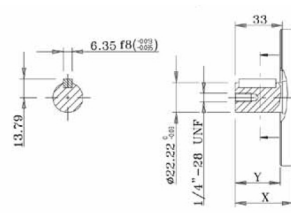
Shaft

Type 2



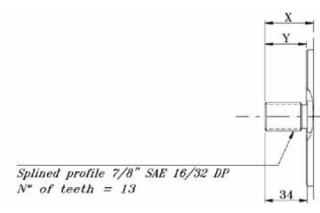
Flange type	X	Y
European	47.2	32.8
SAE B	50.2	35.8

Type 14



Flange type	X	Y
European	38	33
F50C	41	31.5

Type 15

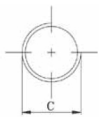


Flange type	X	Y
European	38.2	33.2
F50C	41.2	31.7

PORTS INLET/OUTLET

Shape G

OUTLET



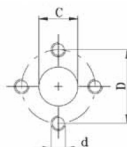
INLET



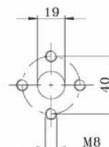
Type	Flange
34	G3/4
10	G1"

Shape R

OUTLET



INLET



Type	threads
40	Ø40 M8
51	Ø51 M10
62	Ø62 M10

Ordering code

