

Cooler size	Cooling at 100°C ΔT KW	Noise level dBA x 1 MTR	Radiator Ports Sizes	Pump Ports Sizes	Pump Flow Rate (NOM) LPM	Fan Power kW #	Amps At 400 V 3 PH 50 HZ	ENCL IP	Approx KG (dry)
GDPUQ 10	10	55	¾" Bsp	¾" Bsp	25	0.37	1.15	55	17.5
GDPUQ 12	12	56	¾" Bsp	¾" Bsp	25	0.37	1.15	55	17.5
GDPUQ 15	15	58	¾" Bsp	¾" Bsp	25	0.37	1.15	55	17.5
GDPU 19	19	75	¾" Bsp	¾" Bsp	30	0.55	1.38	55	17.5
GDPU 23	23	75	¾" Bsp	¾" Bsp	30	0.55	1.38	55	17.5
GDPU 26	26	79	¾" Bsp	¾" Bsp	30	0.55	1.38	55	17.5
GDPUQ 30	30	65	1½" Bsp	¾" Bsp	25	0.37	1.15	55	33
GDPU 35	35	76	1½" Bsp	¾" Bsp	50	1.1	2.50	55	
GDPU 43	43	81	1½" Bsp	¾" Bsp	50	1.1	2.50	55	
GDPU 51	51	80	1½" Bsp	¾" Bsp	50	1.1	2.50	55	50
GDPU 60	60	76	1½" Bsp	¾" Bsp	135	2.2	4.70	55	
GDPU 75	75	76	2" Bsp	1½" Bsp	135	2.2	4.70	55	
GDPU 81	81	75	2" Bsp	1½" Bsp	135	2.2	4.70	55	
GDPU 90	90	78	2" Bsp	1½" Bsp	135	2.2	4.70	55	
GDPU 99	99	77	2" Bsp	1½" Bsp	135	2.2	4.70	55	
GDPU 120	120	82	2" Bsp	1½" Bsp	135	2.2	4.70	55	
GDPU 147	147	80	2" Bsp	1½" Bsp	135	2.2	4.70	55	
GDPU 161	161	79	2" Bsp	1½" Bsp	135	2.2	4.70	55	
GDPU 177	177	81	2" Bsp	1½" Bsp	135	3.0	7.60	55	
GDPU 188	188	85	2" Bsp	1½" Bsp	135	3.0	7.60	55	
GDPU 204	204	85	2" Bsp	1½" Bsp	135	3.0	7.60	55	
GDPU 236	236	87	2" Bsp	1½" Bsp	180	5.5	11.60	55	
GDPU 274	274	93	2" Bsp	1½" Bsp	180	5.5	11.60	55	
GDPU 300	300	95	2" Bsp	1½" Bsp	180	5.5	11.60	55	

### CAUTION - NOISE DATA

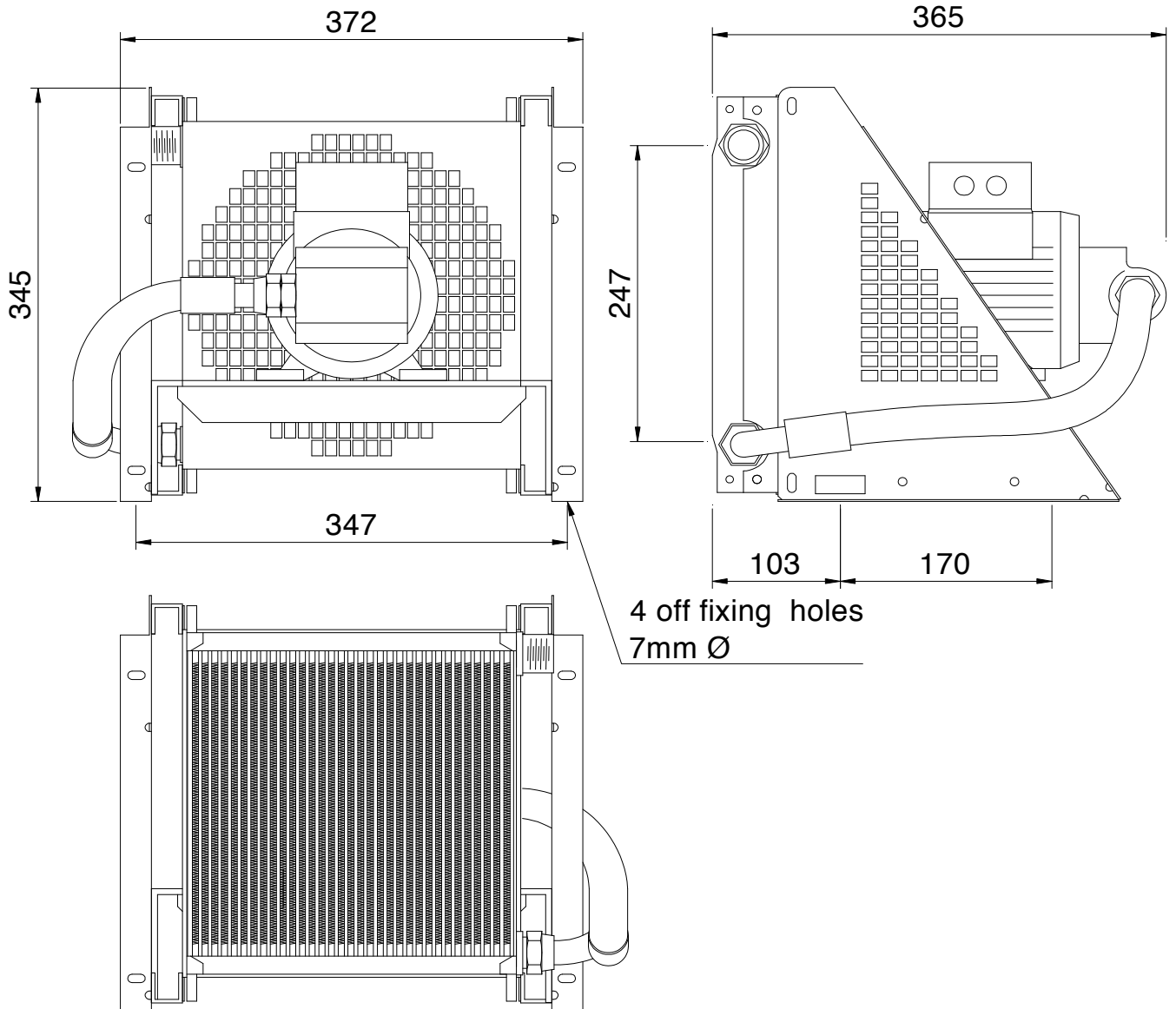
The noise values are given by the fan manufacturers in dBa and apply to 'free field' conditions. In practice different conditions lead to sound reflection reverberation and resonance, dependent on insulation details. The resulting actual noise levels can be in excess of the nominal figure shown.

# Please note: Fan powers and amps are for guidance only:

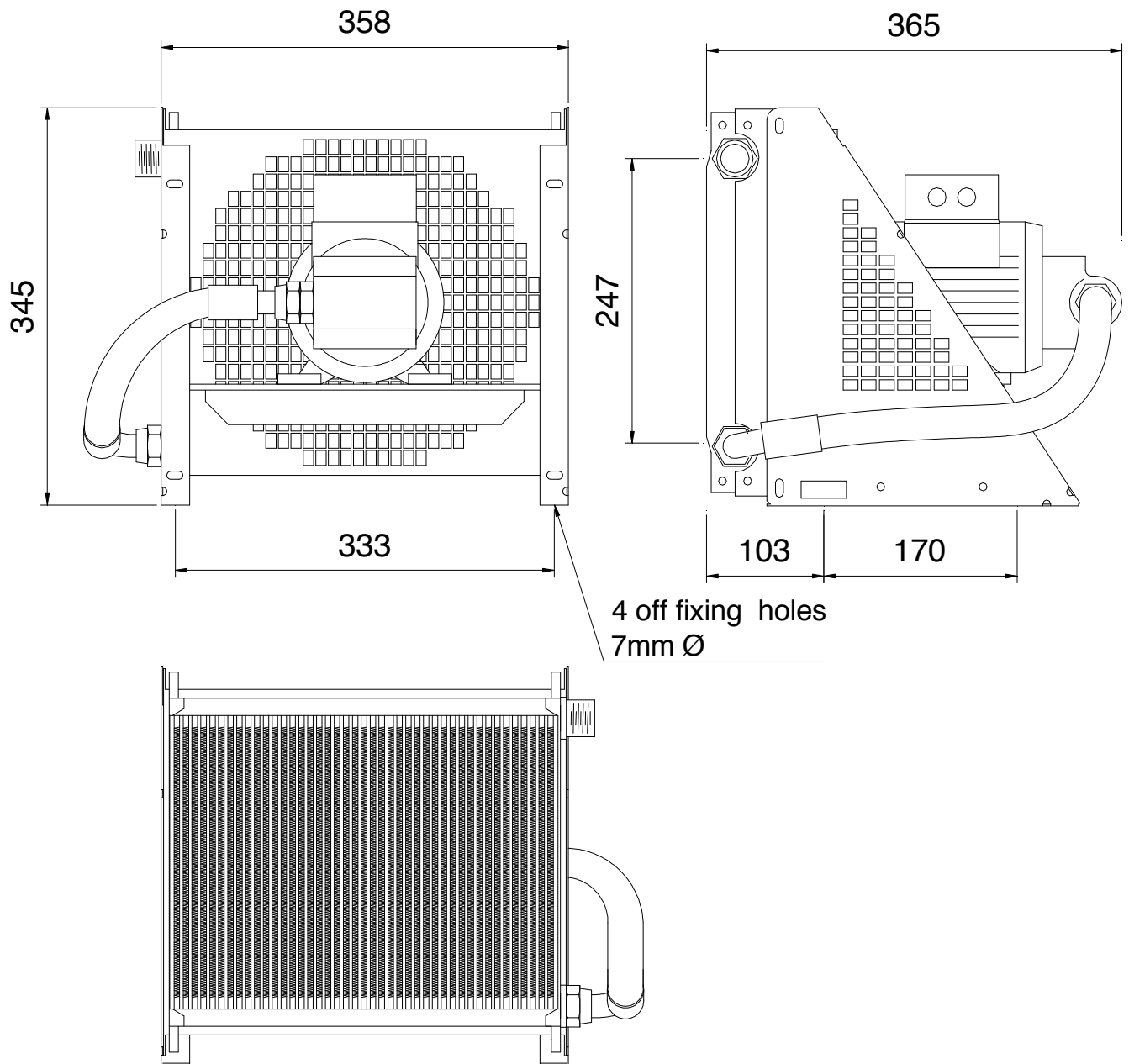
#### Note:

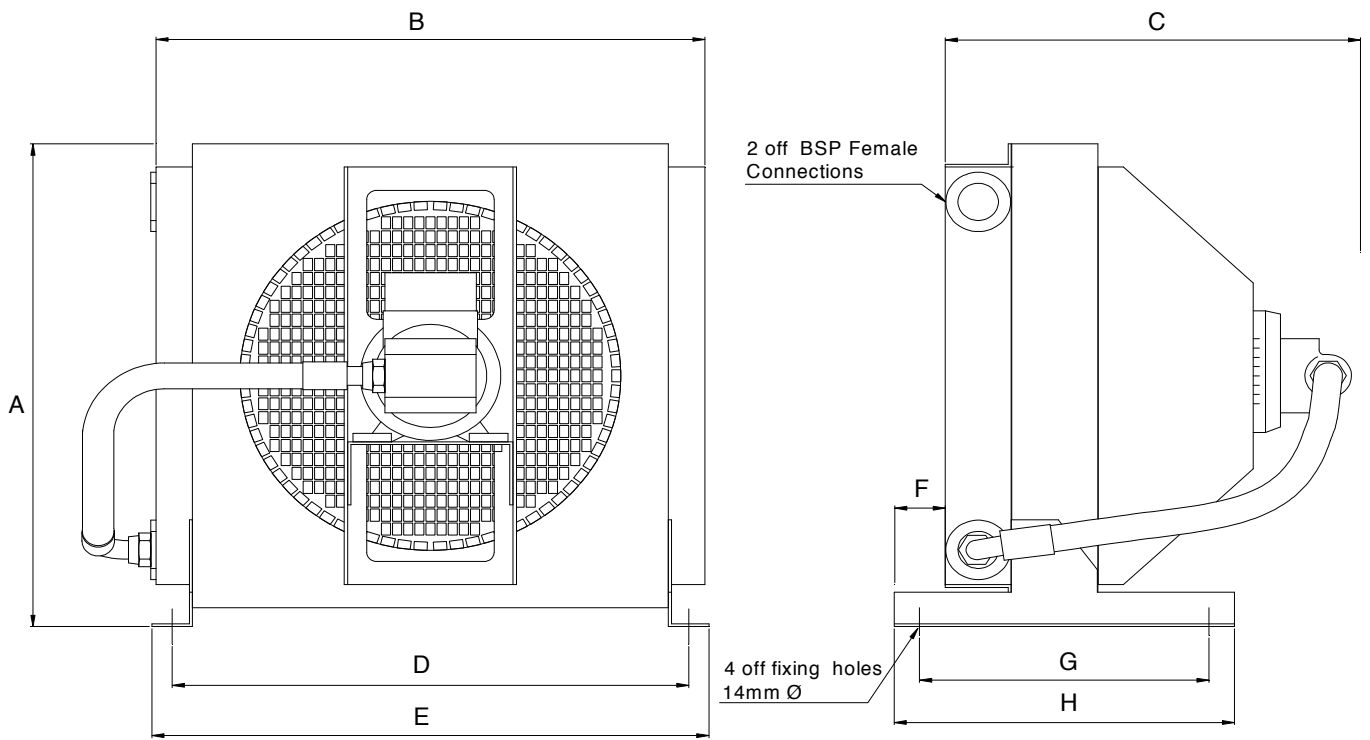
All dimensions are in millimetres and are for reference only and drawings should be obtained for installation purposes. Certified Dim, Drgs, are available if required. Terotechnical information sheets are sent with each cooler, or earlier if requested. We reserve the right to change details with out prior notice.

# Models GDPUQ 10 & GDPU 19



# Models GDPUQ 12, GDPUQ 15, GDPU 23 & GDPU 26





Cooler size	A	B	C	D	E	F	G	H
GDPUQ 30	520	542	410	510	550	50	286	336
GDPE 35	463	492	430	460	500	50	286	336
GDPU 43	463	492	430	460	500	50	286	336
GDPU 51	520	542	410	510	550	50	286	336
GDPU 60	520	614	575	610	650	50	336	386
GDPU 75	524	737	610	684	724	20	336	386
GDPU 81	584	737	610	684	724	20	336	386
GDPU 90	609	737	610	684	724	20	336	386
GDPU 99	727	737	610	684	724	20	524	574
GDPU 120	727	737	610	684	724	20	524	574
GDPU 147	804	820	610	768	808	20	524	574
GDPU 161	918	920	610	868	908	20	524	574
GDPU 177	1085	1120	730	1068	1108	20	524	574
GDPU 188	1018	1020	780	968	1008	20	524	574
GDPU 204	1085	1120	780	1068	1108	20	524	574
GDPU 236	1085	1120	730	1068	1108	20	524	574
GDPU 274	1085	1120	780	1068	1108	20	524	574
GDPU 300	1085	1120	780	1068	1108	20	524	574