

CLUTCHES AND GEARBOXES

MECHANICAL CLUTCHES

PRODUCT	PAGE
SERIES 30100 MECHANICAL CLUTCH GROUP 1 AND GROUP 2 • 30KW	300
SERIES 30300 MECHANICAL CLUTCH GROUP 2 AND GROUP 3 • 40KW	301
SERIES 30500 MECHANICAL CLUTCH GROUP 3.5 AND GROUP 4 • 60KW	302
FLANGES TO SUIT SERIES 30500 MECHANICAL CLUTCH	303



QUALITY PRODUCTS

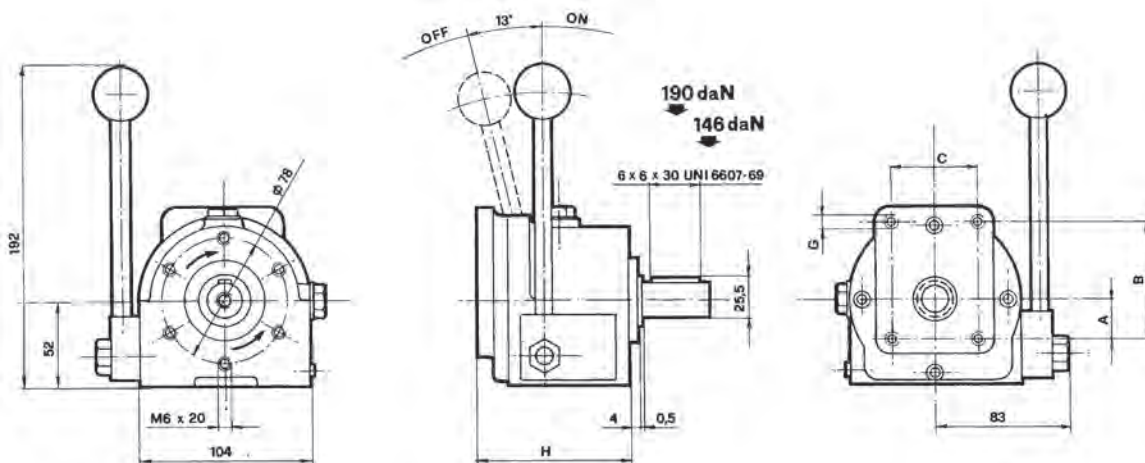
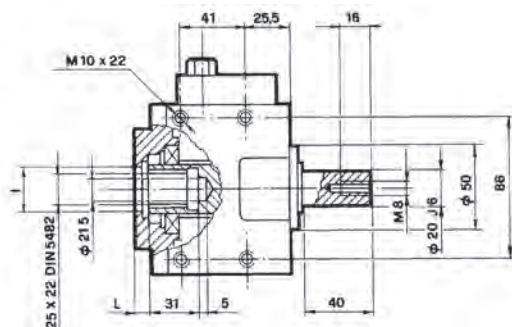


FREE ADVICE



SERIES 30100 MECHANICAL CLUTCH GROUP 1 AND GROUP 2 • 30KW

www.flowfitonline.com
TECH. DATA SHEET
MC01



The mechanical couplings with two direction arrows are REVERSIBLE

NOMINAL TORQUE	MAX. SPEED	MAX. POWER OUTPUT	AXIAL LOAD
9 daNm	2000 RPM	Kw 30	120 daN

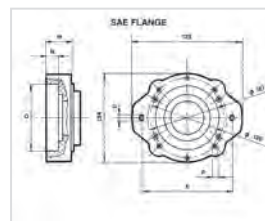
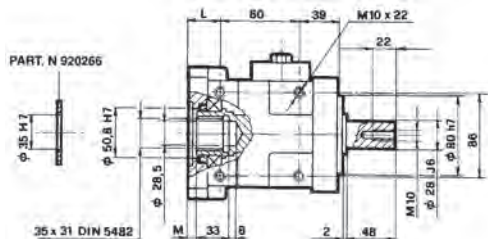
PART NUMBER	DIRECTION OF ROTATION	PUMP GROUP	A	B	C	G	H	I	L
30100	REVERSIBLE	European Group 1+2	26.3	72	52.4	M6x12	92.5	25.4 H	7
30103	CLOCKWISE	European Group 1+2	32.5	96	71.4	M8x15	95.5	36,5 H7	10
30104	ANTICLOCKWISE	European Group 1+2							

PART NO.	DESCRIPTION	NETT. PRICE	
		£ STERLING	€ EUROS
25 - 30100	Mechanical Clutch Reversible for European Group 1 and Group 2 Pumps	£178.61	€ 241.12
25 - 30103	Mechanical Clutch Clockwise for European Group 1 and Group 2 Pumps	£178.61	€ 241.12
25 - 30104	Mechanical Clutch Anticlockwise for European Group 1 and Group 2 Pumps	£178.61	€ 241.12

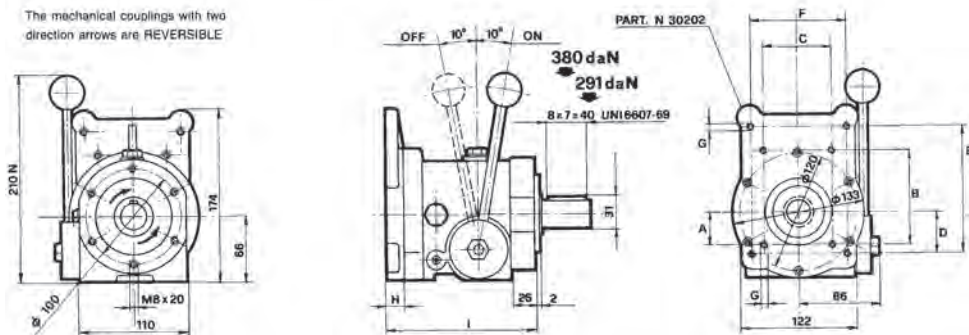
If the part number needed is not listed please ask the Flowfit Sales Team

SERIES 30300 MECHANICAL CLUTCH GROUP 2 AND GROUP 3 • 40KW

www.flowfitonline.com
TECH. DATA SHEET
MC02



The mechanical couplings with two direction arrows are REVERSIBLE



NOMINAL TORQUE	MAX. SPEED	MAX. POWER OUTPUT	AXIAL LOAD
18,5 daNm	2700 RPM	Kw 40	160 daN

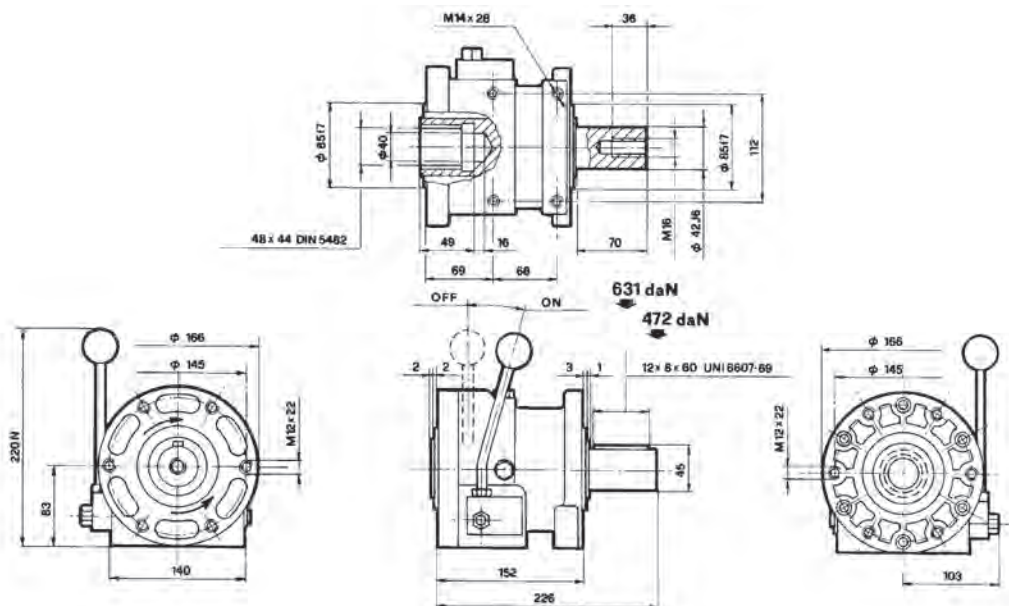
PART NUMBER	DIRECTION OF ROTATION	PUMP GROUP	DIMENSIONS (mm)															
			A	B	C	D	E	F	G	H	I	L	M	N	O H7	P		
26 - 30300	REVERSIBLE	European Group 2 + 3																
26 - 30301	CLOCKWISE		32.5	96	71.4	42.5	128	98.4	M8x15	19	151	32	8.6					
26 - 30202	ANTICLOCKWISE																	
26 - 30311	REVERSIBLE	SAE A 2 + 4 BOLT					106.4		M10x22	34	166	47	23.6	15	82.55			
26 - 30303	CLOCKWISE																	
26 - 30304	ANTICLOCKWISE																	
26 - 30312	REVERSIBLE	SAE B 2 + 4 BOLT						146	M12x22	39	171	52	28.6	20	101.6	M12x22		
26 - 30305	CLOCKWISE																	
26 - 30306	ANTICLOCKWISE																	

PART NO.	DESCRIPTION	NETT. PRICE	
		£ STERLING	€ EUROS
26 - 30300	Mechanical Clutch Reversible for European Group 2 and Group 3 Pumps	£245.71	€ 331.71
26 - 30301	Mechanical Clutch Clockwise for European Group 2 and Group 3 Pumps	£245.71	€ 331.71
26 - 30302	Mechanical Clutch Anticlockwise for European Group 2 and Group 3 Pumps	£245.71	€ 331.71
26 - 30303	Mechanical Clutch Clockwise for SAE A Pumps	£274.58	€ 370.68
26 - 30304	Mechanical Clutch Anticlockwise SAE A Pumps	£245.71	€ 331.71
26 - 30305	Mechanical Clutch Clockwise for SAE B Pumps	£245.71	€ 331.71
26 - 30306	Mechanical Clutch Anticlockwise SAE B Pumps	£245.71	€ 331.71
26 - 30311	Mechanical Clutch Reversible SAE A Pumps	£274.58	€ 370.68
26 - 30312	Mechanical Clutch Reversible SAE B Pumps	£274.58	€ 370.68

If the part number needed is not listed please ask the Flowfit Sales Team

SERIES 30500 MECHANICAL CLUTCH GROUP 3.5 AND GROUP 4 • 60KW

www.flowfitonline.com
TECH. DATA SHEET
MC03



The mechanical couplings with two direction arrows are REVERSIBLE

NOMINAL TORQUE	MAX. SPEED	MAX. POWER OUTPUT	AXIAL LOAD
58 daNm	2700 RPM	Kw 60	260 daN
PART NUMBER	DIRECTION OF ROTATION		
30500	REVERSIBLE ROTATION		
30501	CLOCKWISE ROTATION		
30502	ANTICLOCKWISE ROTATION		

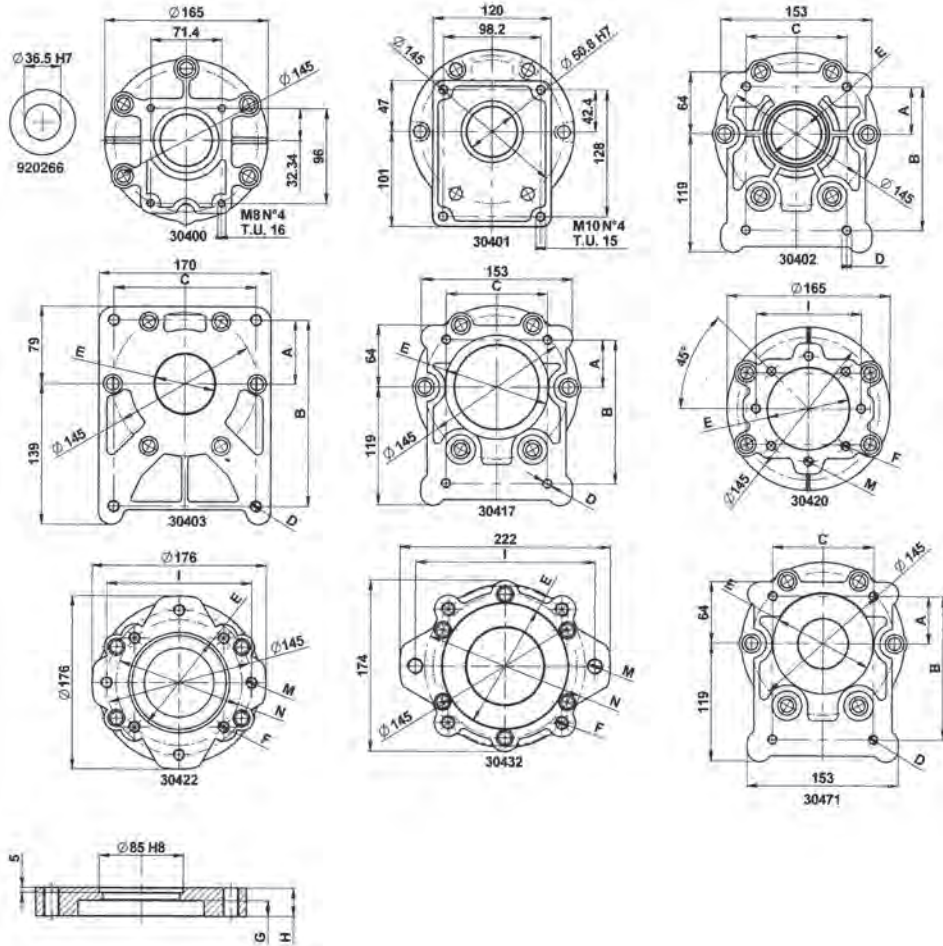
PART NUMBER	PUMP FLANGE TYPE	A	B	C	D	EH 7	FG	H	I	L	M	N
30400	European Group 2							17	21			
30401	European Group 3							21	23			
30402	European Group 3 + 5	49.3	149.5	114.3	M10x20	60.3		11.5	24			
30403	European Group 4	64.5	188	143	M12x22	63.5		16	23			
30417	BOSCH Group 3	48	145	102	M10x15	105		12	19			
30420	SAE A 2 + 4 BOLT					82.55	M12x20	21	25	106	M12x25	
30422	SAE B 2 + 4 BOLT					101.6	M12x20	12	25	146	M12x25	127
30432	SAE C 2 + 4 BOLT					127	M14x25	16	28	181	M16x25	162
30471	ULTRA 3PL DOWTY	52.5	53.4	105.1	M10x20	101.6		10.5	24.5			

PART NO.	DESCRIPTION	NETT. PRICE	
		£ STERLING	€ EUROS
28 - 30500	Mechanical Clutch Reversible European Group 3.5 without Flange	£530.44	€ 716.09
27 - 30501	Mechanical Clutch Clockwise European Group 3.5 without Flange	£530.44	€ 716.09
27 - 30502	Mechanical Clutch Anticlockwise European Group 3.5 without Flange	£530.44	€ 716.09

If the part number needed is not listed please ask the Flowfit Sales Team
Select Flange to suit pump type.

FLANGES TO SUIT SERIES 30500 MECHANICAL CLUTCH

www.flowfitonline.com
TECH. DATA SHEET
MC04



PART NO.	DESCRIPTION	NETT. PRICE	
		£ STERLING	€ EUROS
28 - 30400	European Group 2 Flange C/W +socket capscrews	£64.22	€ 86.69
28 - 30401	European Group 3 Flange C/W +socket capscrews	£59.94	€ 80.92
28 - 30402	European Group 3 + 5 Flange +socket capscrews	£57.82	€ 78.06
28 - 30403	European Group 4 Flange +socket capscrews	£56.16	€ 75.82
28 - 30417	Bosch Group 3 Flange +socket capscrews	£73.50	€ 99.23
28 - 30420	SAE A 2 BOLT Flange C/W +socket capscrews	£57.80	€ 78.03
28 - 30421	SAE B 2 BOLT Flange C/W +socket capscrews	£100.75	€ 136.02
28 - 30422	SAE B 4 BOLT Flange C/W +socket capscrews	£72.09	€ 97.32
28 - 30431	SAE C 2 BOLT Flange C/W +socket capscrews	£73.50	€ 99.23
28 - 30432	SAE C 4 BOLT Flange C/w +socket capscrews	£73.50	€ 99.23
28 - 30471	3PL Ultra/Dowty Flange	£67.74	€ 91.44