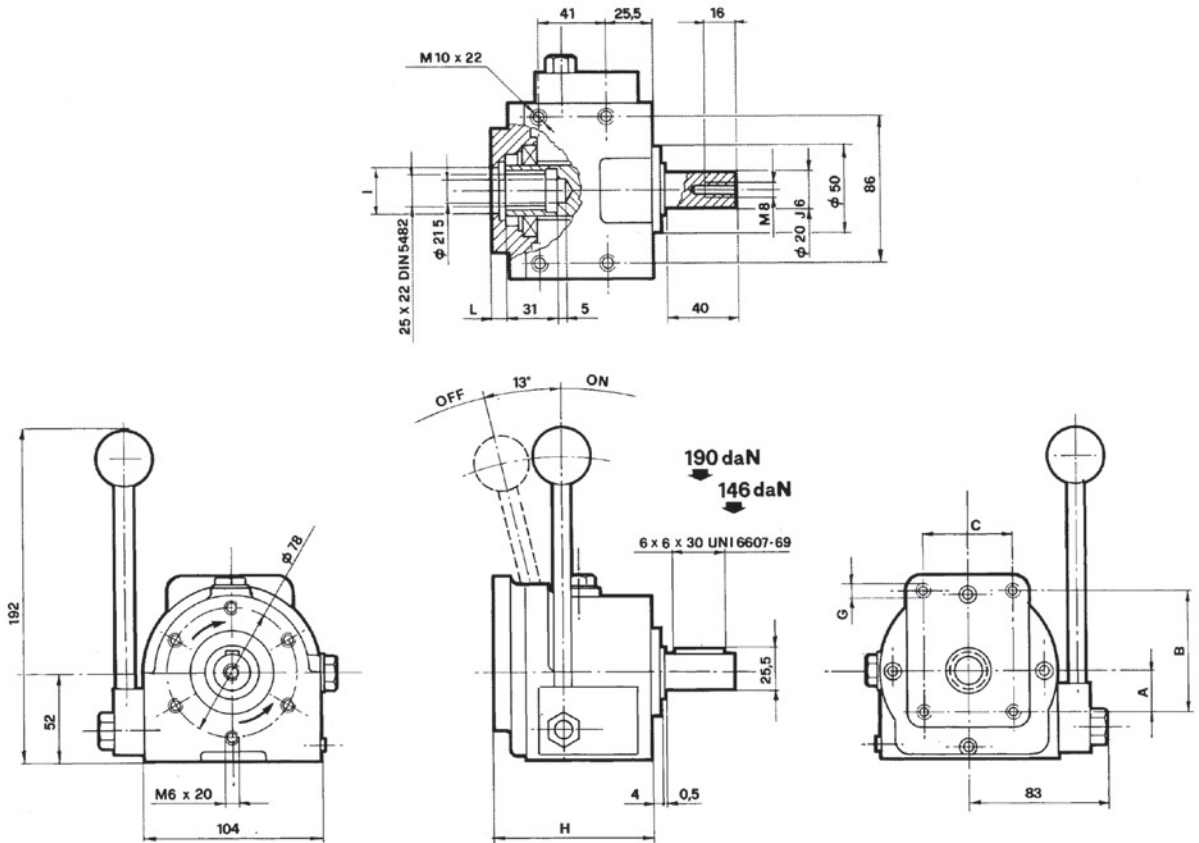


SERIES 30100 MECHANICAL CLUTCH GROUP 1 AND GROUP 2 • 30KW



The mechanical couplings with two direction arrows are REVERSIBLE

Nominal torque	Max. speed	Max. power output	Axial load
9 daNm	2000 RPM	Kw 30	120 daN

PART NUMBER	DIRECTION OF ROTATION	PUMP GROUP	A	B	C	G	H	I	L
30100	REVERSIBLE	1	26.3	72	52.4	M6x12	92.5	25.4 H7	7
30103	CLOCKWISE								
30104	ANTICLOCKWISE	2	32.5	96	71.4	M8x15	95.5	36,5 H7	10
30100/B	REVERSIBLE	2 BOSCH	34.5	100	72	M8x15	95.5	80 H7	10
30105	CLOCKWISE								
30106	ANTICLOCKWISE								

VNK1 GEAR PUMP GROUP 1

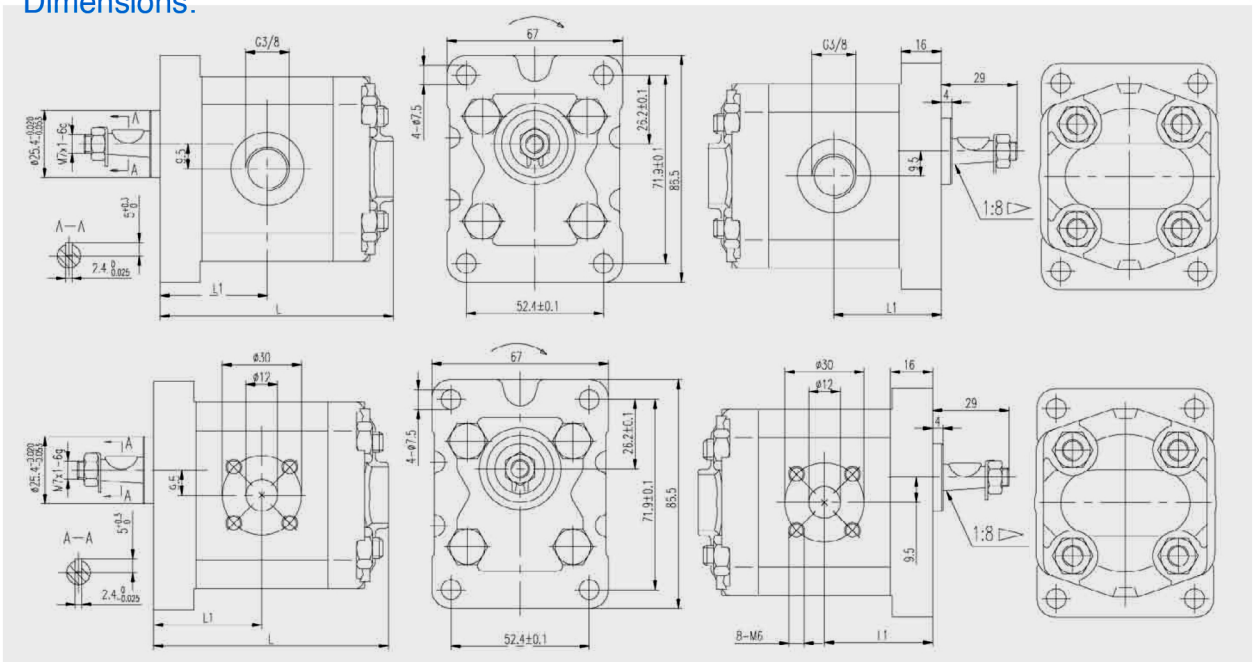
European flange



Type	Displacement c.c.	Pressure Mpa		Speed			L (mm)	L1 (mm)
		Rated	Peak	Rated	Max.	Min.		
VNK-1-0.8-*-*-*-*C	0.8	25	28	2000	3500	600	74	32,5
VNK-1-1.1-*-*-*-*C	1.1	25	28	2000	3500	600	75	33
VNK-1-1.3-*-*-*-*C	1.3	25	28	2000	3500	600	76	34
VNK-1-1.6-*-*-*-*C	1.6	25	28	2000	3500	600	78	35
VNK-1-1.8-*-*-*-*C	1.8	25	28	2000	3500	600	78,5	35.5
VNK-1-2.1-*-*-*-*C	2.1	25	28	2000	3500	600	79	36
VNK-1-2.7-*-*-*-*C	2.7	25	28	2000	3500	600	81	37
VNK-1-3.2-*-*-*-*C	3.2	25	28	2000	3500	600	83	38
VNK-1-3.7-*-*-*-*C	3.7	25	28	2000	3500	600	85	39
VNK-1-4.2-*-*-*-*C	4.2	25	28	2000	3500	600	85	40
VNK-1-4.8-*-*-*-*C	4.8	23	25	2000	3500	600	87	41
VNK-1-5.8-*-*-*-*C	5.8	23	25	2000	3500	600	89	43
VNK-1-8.0-*-*-*-*C	8	21	23	2000	3500	600	93	47
VNK-1-9.2-*-*-*-*C	9,2	18	20	2000	3500	600	101	49

Rotation: A Left C Right

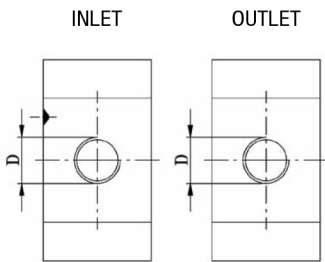
Dimensions:



Flange type 1

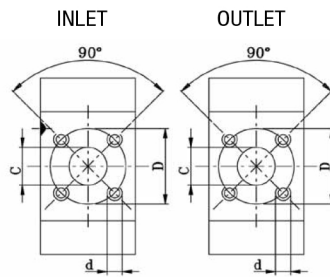
PORTS INLET/OUTLET

Shape G



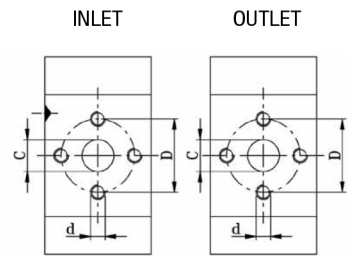
Type	threads
38	G3/8

Shape C



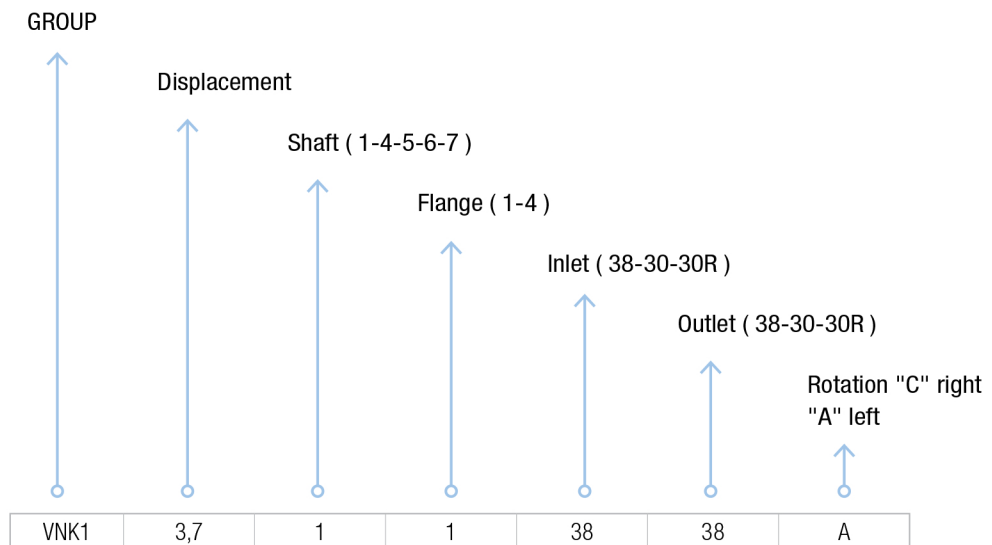
Type	Flange
30	Ø30 M6

Shape R



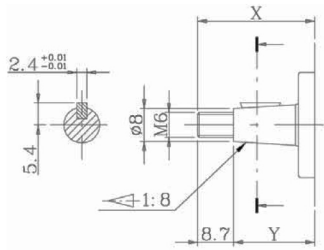
Type	Flange
30R	Ø30 M6

Ordering code



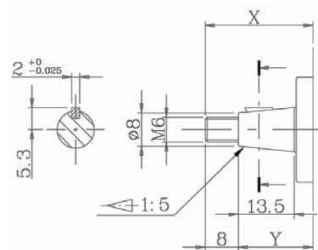
Shaft

Type 1



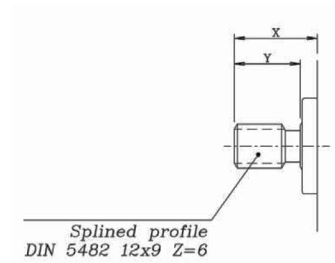
Flange type	X	Y
European	29	20

Type 4



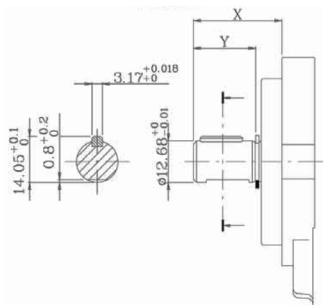
Flange type	X	Y
European	26	18

Type 5



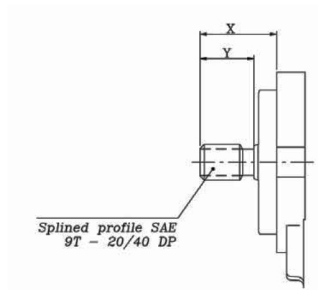
Flange type	X	Y
European	24	16

Type 6



Flange type	X	Y
SAE A	27	19

Type 7



Flange type	X	Y
SAE A	27	19