

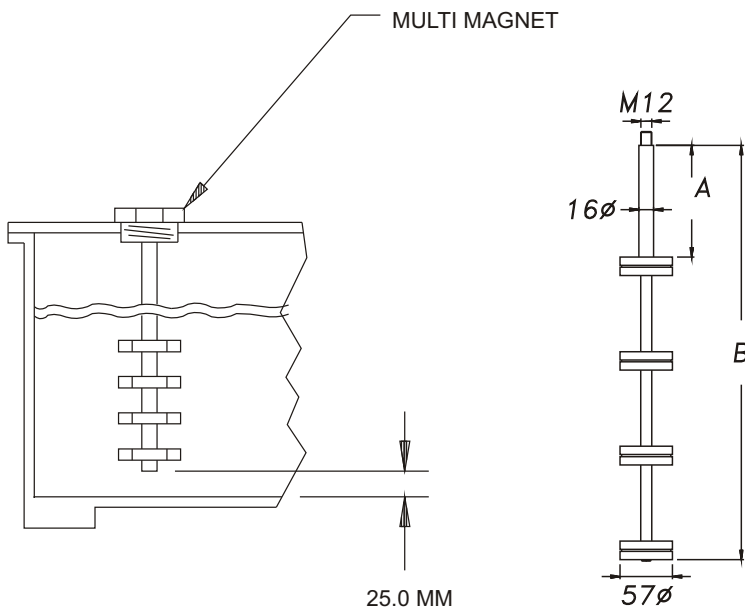


Reservoir Accessories

Magnetic Tank Cleaner - MTC

Specification:

- No moving parts
- Decreases wear on pump/valves etc
- Eliminates troublesome ferrous fines
- Keep hydraulic oils cleaner
- Easily removed without downtime or loss of oil
- Improved performance when used with diffuser
- Exceptionally efficient large ceramic magnets



Typical Installation

MODEL	A	B	MAGNETS	WT KGS
MTC-300	70	300	3	0.80
MTC-450	125	450	4	0.95
MTC-525	200	525	4	1.05
MTC-600	275	600	4	1.15

DIMENSIONS IN MM FOR REFERENCE ONLY