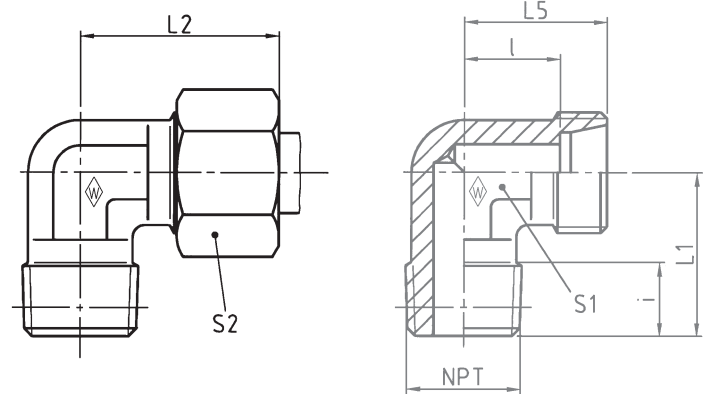


P-WEV NPT

Stud thread: NPT (ANSI/ASME B1.20.1-1983)

Einschraub-
gewinde: NPT (ANSI/ASME B1.20.1-1983)

Filetage mâle: NPT (ANSI/ASME B1.20.1-1983)



Series	bar	Tube OD		Type	Reference	kg per 100 pcs.							
Reihe	PN	Rohr-AD		Typ	Best.-Nr.	kg per 100 St.							
Série	(psi)	Tube Ø ext.		Désignation	Réf.	kg par 100 p.							
			NPT				L ₁	L ₂	L ₅	l	i	S ₁	S ₂
LL	100 (1450)	4	1/8 NPT	S-WEV 4 LL/ 1/8 NPT	WAL038383		17	21	15	11	10	9	10
		6	1/8 NPT	S-WEV 6 LL/ 1/8 NPT	WAL038385		17	21	15	9,5	10	9	12
		8	1/8 NPT	S-WEV 8 LL/ 1/8 NPT	WAL038386		20	23	17	11,5	10	12	14
L	250 (3626)	6	1/8 NPT	P-WEV 6 L/ 1/8 NPT	WAL373228		20	27	19	12	10	12	14
		8	1/4 NPT	P-WEV 8 L/ 1/4 NPT	WAL373229		26	29	21	14	15	12	17
	160 (2321)	10	1/4 NPT	P-WEV 10 L/ 1/4 NPT	WAL373230		27	30	22	15	15	14	19
		12	1/4 NPT	P-WEV 12 L/ 1/4 NPT	WAL373231		28	32	24	17	15	17	22
		12	3/8 NPT	P-WEV 12 L/ 3/8 NPT	WAL373232		28	32	24	17	15	17	22
	100 (1450)	15	1/2 NPT	P-WEV 15 L/ 1/2 NPT	WAL373233	14,0	34	36	28	21	14	19	27
		18	1/2 NPT	P-WEV 18 L/ 1/2 NPT	WAL373234	16,5	36	40	31	23,5	20	24	32
	22	3/4 NPT	P-WEV 22 L/ 3/4 NPT	WAL373235	23,5	42	44	35	27,5	20	27	36	
S	630 (9137)	28	1 NPT	P-WEV 28 L/1 NPT	WAL373236	37,5	48	47	38	30,5	23	36	41
		6	1/4 NPT	P-WEV 6 S/ 1/4 NPT	WAL373239		26	31	23	16	15		17
		8	1/4 NPT	P-WEV 8 S/ 1/4 NPT	WAL373240		27	32	24	17	15		19
		10	3/8 NPT	P-WEV 10 S/ 3/8 NPT	WAL373241		28	34	25	17,5	15		22
		12	3/8 NPT	P-WEV 12 S/ 3/8 NPT	WAL373242		28	38	29	21,5	15		24
	400 (5801)	14	1/2 NPT	P-WEV 14 S/ 1/2 NPT	WAL373243	16,6	33	40	30	22	15	19	27
		16	1/2 NPT	P-WEV 16 S/ 1/2 NPT	WAL373244	18,4	33	43	33	24,5	17	24	30
		20	3/4 NPT	P-WEV 20 S/ 3/4 NPT	WAL373245	30,0	42	48	37	26,5	20	27	36
		25	1 NPT	P-WEV 25 S/1 NPT	WAL373246	56,6	48	54	42	30	23	36	46

L₂ = approximate length with nut tightened
L₂ = Ungefährmaß bei angezogener Überwurfmutter
L₂ = longueur approximative, l'écrou étant bloqué