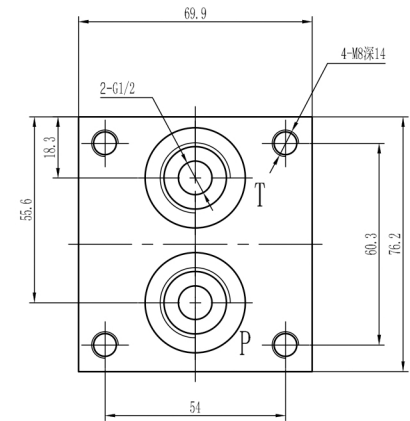
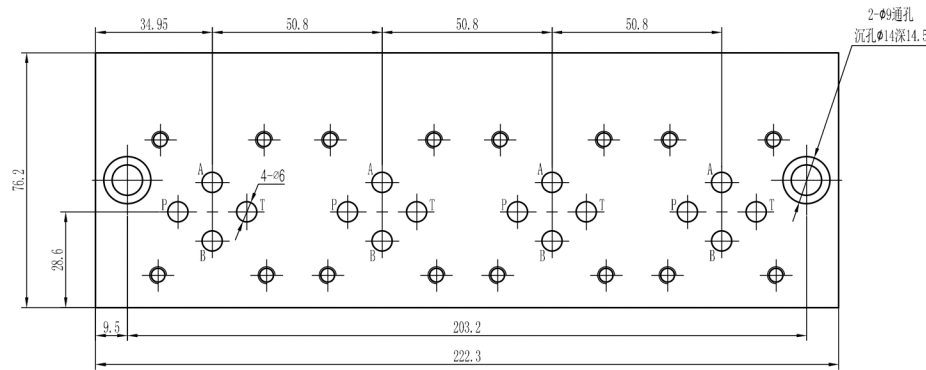
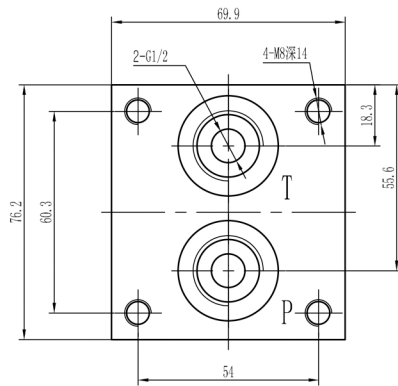
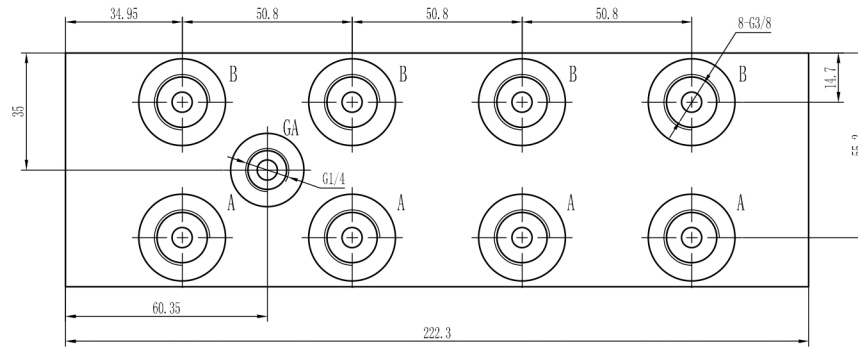


MD-03P-4-G



**FLOWFIT®**

**MANUFACTURERS AND SUPPLIERS  
OF HYDRAULIC COMPONENTS**

MD-03P-4-G