

# HYDRAULIC POWER UNITS

## HYDRAULIC POWER UNITS

| PRODUCT   | PAGE |
|---|------|
| SERIES UP100 HYDRAULIC POWER PACKS                    | 142  |
| UP100 POWERUNIT BUILD YOUR OWN                        | 143  |
| UP100 READY BUILT IN STOCK                            | 147  |
| READY BUILT IN STOCK SINGLE ACTING POWERUNIT          | 149  |
| UP100 READY BUILT IN STOCK DOUBLE ACTING CIRCUIT      | 152  |
| HF500 250 BAR POWER PACKS                             | 155  |
| DETAILS FOR INSTALLATION HF500                        | 160  |
| HF600 350 BAR VARIABLE FLOW HIGH PRESSURE POWER PACKS | 161  |
| DETAILS FOR INSTALLATION HF600                        | 163  |
| UP50 MINI-FLOW HYDRAULIC POWER PACK                   | 164  |
| ET-ELECTRIC DC MOTOR PUMP SET                         | 167  |
| HF800 HONDA PETROL ENGINE DRIVEN POWER PACKS          | 168  |
| HF700 PETROL ENGINE DRIVEN POWER PACKS                | 170  |
| HF900 HATZ DIESEL ENGINE DRIVEN                       | 172  |
| CUSTOM BUILT POWER UNITS                              | 174  |



**FROM ONLY  
£515.26  
+VAT**



**FROM ONLY  
£1,216.58  
+VAT**



**QUALITY PRODUCTS**



**FREE ADVICE**

**FLOWFIT®  
FREE SYSTEM  
EVALUATION**  
Send us your requirements and we will do the rest

## SERIES UP100 HYDRAULIC POWER PACKS

**A full range of Flowfit powerunits built to order and held in stock at our warehouse ready for you to collect, all units available in DC and AC combinations.**

These units feature a high degree of accuracy and have a wide application range. Bucher Hydraulics power packs are designed according an integrated modular system of valves for the various functions.

This highlights the equipment's compact nature, the foundation of its high performance level.

The basic components of the power packs are:

- a manifold block with cavities for various types of valves
- a very quiet, high-efficiency gear pump
- an electric motor (DC or AC)
- a reservoir (plastic or steel)
- several optional accessories

### Advantages

- Compact and modular construction, limited number of components, quick and easy assembly
- Maximum flexibility – numerous different circuits can be built from just the few basic versions
- Valve cavities conform to international standards
- Optimisation of motor-pump unit produce increased efficiency and low operating noise level

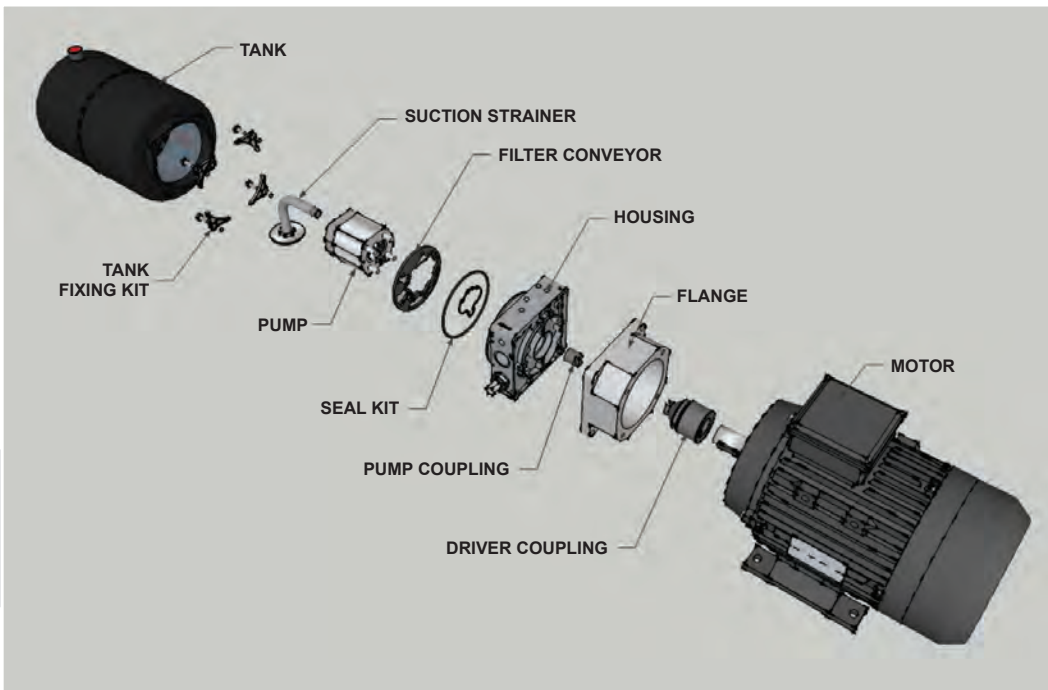
|                      | UP50        | UP100      |
|----------------------|-------------|------------|
| cm <sup>3</sup> /rev | 0.25 - 2.3  | 1.2 - 10.0 |
| bar                  | 230         | 230        |
| kw                   | 0.35 - 2.0  | 0.8 - 2.0  |
| kw                   | 0.40 - 2.5  | 1.2 - 3.0  |
| kw                   | 2.0         | 2.0        |
| kw                   | 0.12 - 0.75 | 0.25 - 4.0 |
| litre                | 0.5 - 4.0   | 1.5 - 18.0 |



### Applications

- Car lifters
- Lift trucks
- Scissor lifts
- Medical equipment
- Tailift applications
- Lifting platforms
- Equipments for disabled needs
- Automation: opening/closing of swing doors, tailgates, safety locking systems, etc.

## TYPICAL LAYOUT OF UP100 POWERUNIT



## UP100 POWERUNIT BUILD YOUR OWN



The UP100 series of standard power packs is based on a range of 12vdc, 24vdc, 48vdc, 240v 1 phase and 415v 3 phase motors from 0.37kw to 5.5kw.

Supplied fully assembled and tested, these units offer pressures up to 210 bar and flows up to 17lpm.

All components in stock ready to assemble for immediate delivery.

A wide range of Compact Industrial hydraulic power packs where space is at a premium.

### Applications

- Automation: opening/closing of swing doors
- Barrier controls
- Car lifters
- Demountables
- Equipments for disabled needs
- Lift trucks
- Lifting platforms
- Machine tools
- Medical equipments

All UP100 assembled powerunits come complete as standard with the following components.

- Electric motor DC/AC
- Bucher gear pump.
- Bucher central housing.
- Main relief valve
- Check valve
- Drive coupling
- Motor flange
- Suction Filter 216 micron
- Return filter conveyor 150 micron



### APPLICATIONS:

- Mobile stationary equipment
- Safety Locking systems
- Scissor lifts
- Snowploughs
- Tipper
- Truck cranes
- Truck tailgate lifts
- Tyre removal machines
- Wood working machines

### BENEFITS:

- Compact and modular construction, limited number of components, quick and easy assembly
- Maximum flexibility – numerous different circuits can be built from just the few basic versions
- Valve cavities conform to international standards
- Optimisation of motor-pump unit has produced increased efficiency and low operating noise level



TO GENERATE YOUR FULL ORDER NUMBER SELECT THE COSTING CODE OR EACH COMPONENT



## EXAMPLE

**STEP 1**  
SELECT MOTOR  
EG: AC1  
£343.15

www.flowfitonline.com  
TECH. DATA SHEET  
**PU1**

| COSTING CODE | FLOW L/MIN | MAX P BAR | MOTOR SIZE KW | MOTOR TYPE |       | NETT. PRICE |          |
|--------------|------------|-----------|---------------|------------|-------|-------------|----------|
|              |            |           |               | 12VDC UNIT |       | £ STERLING  | € EUROS  |
| 12V12        | 3.7        | 200       | 1.7           | 12VDC      | 12VDC | £520.28     | € 702.38 |
| 12V17        | 4.9        | 175       | 1.7           | 12VDC      | 12VDC | £520.28     | € 702.38 |
| 12V25        | 5          | 150       | 1.7           | 12VDC      | 12VDC | £520.28     | € 702.38 |
| 12V35        | 9.5        | 100       | 1.7           | 12VDC      | 12VDC | £520.28     | € 702.38 |
| 12V43        | 12         | 75        | 1.7           | 12VDC      | 12VDC | £520.28     | € 702.38 |
| 12V5         | 13         | 75        | 1.7           | 12VDC      | 12VDC | £520.28     | € 702.38 |
| 12V65        | 17         | 50        | 1.7           | 12VDC      | 12VDC | £520.28     | € 702.38 |
| 12V8         | 25         | 22        | 1.7           | 12VDC      | 12VDC | £520.28     | € 702.38 |

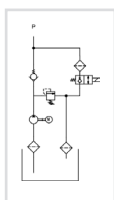
| COSTING CODE | FLOW L/MIN | MAX P BAR | MOTOR SIZE KW | MOTOR TYPE |       | NETT. PRICE |          |
|--------------|------------|-----------|---------------|------------|-------|-------------|----------|
|              |            |           |               | 24VDC UNIT |       | £ STERLING  | € EUROS  |
| 24V12        | 3.5        | 200       | 2.2           | 24VDC      | 24VDC | £535.29     | € 722.65 |
| 24V17        | 4.25       | 200       | 2.2           | 24VDC      | 24VDC | £535.29     | € 722.65 |
| 24V25        | 6          | 200       | 2.2           | 24VDC      | 24VDC | £535.29     | € 722.65 |
| 24V35        | 7.5        | 175       | 2.2           | 24VDC      | 24VDC | £535.29     | € 722.65 |
| 24V43        | 8          | 150       | 2.2           | 24VDC      | 24VDC | £535.29     | € 722.65 |
| 24V5         | 9          | 125       | 2.2           | 24VDC      | 24VDC | £535.29     | € 722.65 |
| 24V65        | 12.5       | 100       | 2.2           | 24VDC      | 24VDC | £535.29     | € 722.65 |
| 24V8         | 16         | 75        | 2.2           | 24VDC      | 24VDC | £535.29     | € 722.65 |

| COSTING CODE | FLOW L/MIN | MAX P BAR | MOTOR SIZE KW | NETT. PRICE |          | NETT. PRICE |          |
|--------------|------------|-----------|---------------|-------------|----------|-------------|----------|
|              |            |           |               | 240V/AC     |          | 415V/AC     |          |
|              |            |           |               | £ STERLING  | € EUROS  | £ STERLING  | € EUROS  |
| AC1          | 1.68       | 100       | 0.37          | £343.15     | € 463.26 | £362.36     | € 489.19 |
| AC2          | 1.68       | 160       | 0.55          | £373.49     | € 504.20 | £377.54     | € 509.66 |
| AC3          | 1.68       | 210       | 0.75          | £383.91     | € 518.27 | £385.12     | € 519.91 |
| AC4          | 2.38       | 75        | 0.37          | £343.15     | € 463.26 | £362.36     | € 489.19 |
| AC5          | 2.38       | 110       | 0.55          | £373.49     | € 504.20 | £377.54     | € 509.66 |
| AC6          | 2.38       | 155       | 0.75          | £383.91     | € 518.27 | £385.12     | € 519.91 |
| AC7          | 2.38       | 210       | 1.1           | £419.93     | € 566.89 | £417.69     | € 563.88 |
| AC8          | 3.5        | 100       | 0.75          | £383.91     | € 518.27 | £385.12     | € 519.91 |
| AC9          | 3.5        | 150       | 1.1           | £419.93     | € 566.89 | £417.69     | € 563.88 |
| AC10         | 3.5        | 210       | 1.5           | £455.94     | € 615.52 | £501.22     | € 676.64 |
| AC11         | 4.9        | 75        | 0.75          | £588.37     | € 794.31 | £377.54     | € 509.66 |
| AC12         | 4.9        | 110       | 1.1           | £418.96     | € 565.61 | £417.69     | € 563.88 |
| AC13         | 4.9        | 150       | 1.5           | £455.94     | € 615.52 | £504.34     | € 680.85 |
| AC14         | 4.9        | 210       | 2.2           | £522.30     | € 705.10 | £468.67     | € 632.71 |
| AC15         | 6          | 90        | 1.1           | £418.96     | € 565.61 | £417.69     | € 563.88 |
| AC16         | 6          | 120       | 1.5           | £455.94     | € 615.52 | £504.34     | € 680.85 |
| AC17         | 6          | 180       | 2.2           | £522.30     | € 705.10 | £468.67     | € 632.71 |
| AC18         | 6          | 210       | 3             | £567.80     | € 766.52 | £504.34     | € 680.85 |
| AC19         | 7          | 75        | 1.1           | £418.96     | € 565.61 | £417.69     | € 563.88 |
| AC20         | 7          | 100       | 1.5           | £455.94     | € 615.52 | £504.34     | € 680.85 |
| AC21         | 7          | 150       | 2.2           | £522.44     | € 705.28 | £468.67     | € 632.71 |
| AC22         | 7          | 210       | 3             | £601.86     | € 812.51 | £504.34     | € 680.85 |
| AC23         | 9          | 80        | 1.5           | £455.94     | € 615.52 | £504.34     | € 680.85 |
| AC24         | 9          | 120       | 2.2           | £522.44     | € 705.28 | £468.67     | € 632.71 |
| AC25         | 9          | 165       | 3             | £567.78     | € 766.51 | £504.34     | € 680.85 |
| AC26         | 9          | 190       | 4             | N/A         | N/A      | £550.04     | € 742.56 |
| AC27         | 11         | 65        | 1.5           | £455.94     | € 615.52 | £504.34     | € 680.85 |
| AC28         | 11         | 100       | 2.2           | £522.30     | € 705.10 | £468.67     | € 632.71 |
| AC29         | 11         | 130       | 3             | £567.12     | € 765.60 | £504.34     | € 680.85 |
| AC30         | 11         | 180       | 4             | N/A         | N/A      | £550.04     | € 742.56 |
| AC31         | 14         | 75        | 2.2           | £522.30     | € 705.10 | £468.67     | € 632.71 |
| AC32         | 14         | 100       | 3             | £567.80     | € 766.52 | £504.34     | € 680.85 |
| AC33         | 14         | 145       | 4             | N/A         | N/A      | £550.04     | € 742.56 |



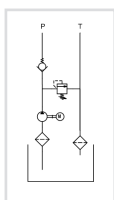
**STEP 2**  
SELECT VOLTAGE  
EG:3PH  
£0.00

| COSTING CODE | MOTOR VOLTAGE                  | NETT. PRICE |          |
|--------------|--------------------------------|-------------|----------|
|              |                                | £ STERLING  | € EUROS  |
| 3PH          | Three phase 415v               | £0.00       | € 0.00   |
| 1PH          | Single phase 240v              | £0.00       | € 0.00   |
| 1PH110V      | Single phase 110v              | POA         | POA      |
| 3PH110V      | Three phase 110v               | POA         | POA      |
| PD           | Pulley driven c/w 100mm pulley | £165.99     | € 224.08 |
| XXX          | Not required                   | £0.00       | € 0.00   |



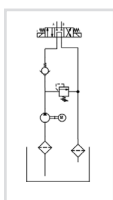
**K1 -**  
Typical Circuit

AC AND DC SINGLE ACTING  
SOLENOID OPERATED  
HYDRAULIC CIRCUIT.



**K3 -**  
Typical Circuit

PRESSURE AND TANK  
RETURN HYDRAULIC  
CIRCUIT.



**K4 -**  
Typical Circuit

SOLENOID HYDRAULIC  
CIRCUIT.

**STEP 3**  
SELECT CIRCUIT  
EG:K3  
£0.00

| COSTING CODE | CIRCUITS AVAILABLE          |            | NETT. PRICE |         |
|--------------|-----------------------------|------------|-------------|---------|
|              |                             |            | £ STERLING  | € EUROS |
| K1           | Single acting circuit       | K1 Circuit | £0.00       | € 0.00  |
| K3           | Double acting circuit.      | K3 Circuit | £0.00       | € 0.00  |
| K3           | P and T ports only circuit. | K3 Circuit | £0.00       | € 0.00  |
| K3           | Cetop valve circuits        | K3 Circuit | £0.00       | € 0.00  |
| K4           | Lever valve circuits.       | K4 Circuit | £0.00       | € 0.00  |



**STEP 4**  
SELECT MANIFOLD  
EG: 32  
£92.22

| COSTING CODE | MANIFOLDS AVAILABLE        | NETT. PRICE |          |
|--------------|----------------------------|-------------|----------|
|              |                            | £ STERLING  | € EUROS  |
| 31           | 1 station cetop 3 manifold | £46.65      | € 62.96  |
| 32           | 2 station cetop 3 manifold | £92.22      | € 124.49 |
| 33           | 3 station cetop 3 manifold | £139.96     | € 188.95 |
| XXX          | Not required               | £0.00       | € 0.00   |



If using 10 litre reservoir or larger complete with 1-3 station cetop 3 manifold then you need the above manifold. If using 8 litre or smaller reservoir this manifold above is not needed.

**STEP 5**  
SELECT MANIFOLD  
EG: 42  
£78.11

| COSTING CODE | MANIFOLD NEEDED | NETT. PRICE |          |
|--------------|-----------------|-------------|----------|
|              |                 | £ STERLING  | € EUROS  |
| 42           | 4210            | £78.11      | € 105.45 |
| XXX          | Not required    | £0.00       | € 0.00   |

**USE TECH. DATA SHEET PU1 FOR PRODUCTS ON THIS PAGE**



**STEP 6**  
SELECT SOLENOID VALVES  
EG: NG6D + NG6D  
£49.23+£49.23

**USE TECH. DATA SHEET PU1 FOR PRODUCTS ON THIS PAGE**

| COSTING CODE | SOLENOID VALVES                             | NETT. PRICE |         |
|--------------|---|-------------|---------|
|              |   | £ STERLING  | € EUROS |
| NG6D         | FLOWFIT NG6 D/ACTING VALVE AC/DC ANY SPOOL  | £49.23      | € 66.45 |
| NG6S         | FLOWFIT NG6 S/ACTING VALVE AC/DC ANY SPOOL  | £36.60      | € 49.42 |
| NOV          | FLOWFIT NORMALLY OPEN SINGLE ACTING AC/DC   | £36.60      | € 49.42 |
| NCV          | FLOWFIT NORMALLY CLOSED SINGLE ACTING AC/DC | £49.23      | € 66.45 |
| XX           | Not required                                | £0.00       | € 0.00  |



**STEP 7**  
SELECT MANUAL VALVES  
EG: XXX  
£0.00

| COSTING CODE | MANUAL VALVES   | NETT. PRICE |          |
|--------------|---|-------------|----------|
|              |   | £ STERLING  | € EUROS  |
| HD105        | 1 bank single acting lever valve 3 pos spring return. | £132.36     | € 178.69 |
| HD106        | 1 bank double acting lever valve 3 pos spring return  | £179.00     | € 241.65 |
| HDS11/2      | 2 bank double acting lever valve 3 pos spring return  | £173.20     | € 233.81 |
| HDS11/3      | 3 bank double acting lever valve 3 pos spring return  | £233.55     | € 315.28 |
| HDS11/4      | 4 bank double acting lever valve 3 pos spring return  | £296.11     | € 399.75 |
| HDS11/5      | 5 bank double acting lever valve 3 pos spring return  | £355.34     | € 479.70 |
| HDS11/6      | 6 bank double acting lever valve 3 pos spring return  | £415.69     | € 561.18 |
| XXX          | Not required  | £0.00       | € 0.00   |



**STEP 7**  
SELECT MANUAL VALVES  
EG: XXX  
£0.00

| COSTING CODE | RESERVOIRS                       | NETT. PRICE |          |
|--------------|----------------------------------|-------------|----------|
|              |                                  | £ STERLING  | € EUROS  |
| 1.5PH        | 1.5litre plastic horizontal.     | £32.72      | € 44.18  |
| 2.5PH        | 2.5litre plastic horizontal.     | £34.72      | € 46.87  |
| 3.5PH        | 3.5litre plastic horizontal.     | £37.96      | € 51.26  |
| 6PH          | 6 litre plastic horizontal.      | £40.14      | € 54.19  |
| 5H           | 5 litre steel horizontal.        | £60.75      | € 82.02  |
| 5V           | 5 litre steel vertical.          | £60.75      | € 82.02  |
| 8H           | 8 litre steel horizontal.        | £64.01      | € 86.42  |
| 8V           | 8 litre steel vertical.          | £64.01      | € 86.42  |
| 10H          | 10 litre steel horizontal.       | £100.89     | € 136.20 |
| 12V          | 12 litre steel vertical.         | £121.50     | € 164.02 |
| 15V          | 15 litre steel vertical.         | £145.37     | € 196.25 |
| 18H          | 18 litre steel horizontal        | £147.55     | € 199.18 |
| 20V          | 20 litre steel vertical          | £134.52     | € 181.61 |
| 30V          | 30 litre steel vertical.         | £173.58     | € 234.34 |
| 55V          | 55 litre steel vertical          | £222.39     | € 300.23 |
| 75V          | 72 litre steel vertical.         | £251.69     | € 339.78 |
| 100V         | 98 litre steel vertical          | £297.26     | € 401.30 |
| 180V         | 160 litre steel vertical.        | £388.40     | € 524.33 |
| xxx          | No tank required,neck and flange | £9.77       | € 13.20  |



8 litre steel horizontal



Plastic Cover

**STEP 9**  
SELECT EXTRAS  
EG: PG1  
£21.17

www.flowfitonline.com  
TECH. DATA SHEET  
**PU1**

| COSTING CODE | ADD ON EXTRAS  | NETT. PRICE |         |
|--------------|--|-------------|---------|
|              |  | £ STERLING  | € EUROS |
| PG1          | PRESSURE GAUGE 0-1000PSI PLUS ISOLATOR                 | £21.17      | € 28.58 |
| PG2          | PRESSURE GAUGE 0-2000PSI PLUS ISOLATOR                 | £21.17      | € 28.58 |
| PG3          | PRESSURE GAUGE 0-3000PSI PLUS ISOLATOR                 | £21.17      | € 28.58 |
| PG4          | PRESSURE GAUGE 0-4000PSI PLUS ISOLATOR                 | £21.17      | € 28.58 |
| SMB          | Steel mounting bracket for fitting to central housing. | £10.30      | € 13.92 |
| DCM          | Plastic motor cover for DC motors.                     | £21.17      | € 28.58 |
| XXX          | Not required   | £0.00       | € 0.00  |
| PLUG         | 13 Amp plug c/w 2 metre cable                          | £30.42      | € 41.07 |

| COSTING CODE | ADD ON EXTRAS  | NETT. PRICE |          |
|--------------|--|-------------|----------|
|              |  | £ STERLING  | € EUROS  |
| EHP          | Emergency handpump 1.5cc/rev fitted to housing K1 + K4 | £42.31      | € 57.12  |
| EHP1         | Emergency handpump 1.5cc/rev fitted to housing K3      | £80.28      | € 108.37 |
| XXX          | Not required   | £0.00       | € 0.00   |

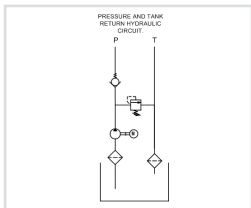
**ALL POWER PACKS ARE FULLY ASSEMBLED AND TESTED. ISSUED WITH 12 MONTHS WARRANTY FROM INVOICE DATE**

| COSTING CODE | AC RANGE AIR BLOWN OIL COOLER | PRICE                    |
|--------------|-------------------------------|--------------------------|
| COOLER       | AC range air blown oil cooler | Dependent on application |

**FULL ORDER NUMBER FOR EXAMPLE SHOWN**  
AC1-3PH-K3-32  
NG6D-NG6D-XXX-8H-PG1

**UP100 READY BUILT IN STOCK**

**P+T CIRCUIT**



Ideal if all you need is flow/pressure with tank return

www.flowfitonline.com  
TECH. DATA SHEET  
**PU1**



| 12VDC    |     | P + T PORTS ONLY |           |                      |            |             |          |  |
|----------|-----|------------------|-----------|----------------------|------------|-------------|----------|--|
| PT NO    | KW  | FLOW L/MIN       | MAX P BAR | RESERVOIR SIZE LITRE | MOTOR TYPE | NETT. PRICE |          |  |
|          |     |                  |           |                      |            | £ STERLING  | € EUROS  |  |
| ZZ001469 | 1.7 | 3.7              | 200       | 5 litre horizontal   | 12VDC      | £515.26     | € 695.60 |  |
| ZZ001470 | 1.7 | 3.7              | 200       | 8 litre horizontal   | 12VDC      | £522.42     | € 705.26 |  |
| ZZ001471 | 1.7 | 4.9              | 175       | 8 litre horizontal   | 12VDC      | £522.42     | € 705.26 |  |
| ZZ001472 | 1.7 | 4.9              | 175       | 10 litre horizontal  | 12VDC      | £551.76     | € 744.88 |  |
| ZZ001473 | 1.7 | 9.5              | 100       | 15 litre vertical    | 12VDC      | £599.70     | € 809.60 |  |
| ZZ001474 | 1.7 | 9.5              | 100       | 18 litre horizontal  | 12VDC      | £604.71     | € 816.36 |  |

FLOWFIT®



| 24VDC    |     | P + T PORTS ONLY |           |                      |            |             |          | www.flowfitonline.com<br>TECH. DATA SHEET<br><b>PU1</b> |  |
|----------|-----|------------------|-----------|----------------------|------------|-------------|----------|---|--|
| PT NO    | KW  | FLOW L/MIN       | MAX P BAR | RESERVOIR SIZE LITRE | MOTOR TYPE | NETT. PRICE |          |   |  |
|          |     |                  |           |                      |            | £ STERLING  | € EUROS  |   |  |
| ZZ001475 | 2.2 | 3.5              | 200       | 5 litre horizontal   | 24VDC      | £515.27     | € 695.61 |   |  |
| ZZ001476 | 2.2 | 3.5              | 200       | 8 litre horizontal   | 24VDC      | £522.42     | € 705.27 |   |  |
| ZZ001477 | 2.2 | 4.25             | 200       | 8 litre horizontal   | 24VDC      | £522.42     | € 705.27 |   |  |
| ZZ001478 | 2.2 | 4.25             | 200       | 10 litre horizontal  | 24VDC      | £552.09     | € 745.32 |   |  |
| ZZ001479 | 2.2 | 7.5              | 175       | 15 litre vertical    | 24VDC      | £599.70     | € 809.60 |   |  |
| ZZ001480 | 2.2 | 7.5              | 175       | 18 litre horizontal  | 24VDC      | £604.70     | € 816.35 |   |  |

FLOWFIT®



| 110VAC   |      | 50HZ 1 PHASE P + T PORTS ONLY |            |           |                      |            |             | www.flowfitonline.com<br>TECH. DATA SHEET<br><b>PU1</b> |  |
|----------|------|-------------------------------|------------|-----------|----------------------|------------|-------------|---|--|
| PT NO    | KW   | HP                            | FLOW L/MIN | MAX P BAR | RESERVOIR SIZE LITRE | MOTOR TYPE | NETT. PRICE |   |  |
|          |      |                               |            |           |                      | £ STERLING | € EUROS     |   |  |
| ZZ001481 | 0.75 | 1                             | 1.68       | 210       | 5 litre horizontal   | 110VAC     | £510.26     | € 688.85  |  |
| ZZ001482 | 1.1  | 1.5                           | 2.38       | 210       | 5 litre horizontal   | 110VAC     | £561.77     | € 758.40  |  |
| ZZ001483 | 1.5  | 2                             | 3.5        | 210       | 8 litre horizontal   | 110VAC     | £571.80     | € 771.93  |  |
| ZZ001484 | 2.2  | 3                             | 4.9        | 210       | 8 litre horizontal   | 110VAC     | £722.08     | € 974.80  |  |
| ZZ001485 | 3    | 4                             | 6          | 210       | 10 litre horizontal  | 110VAC     | £825.84     | € 1,114.89  |  |

FLOWFIT®



| 240VAC   |      | 50HZ 1 PHASE P + T PORTS ONLY |            |           |                      |            |             | www.flowfitonline.com<br>TECH. DATA SHEET<br><b>PU1</b> |  |
|----------|------|-------------------------------|------------|-----------|----------------------|------------|-------------|---|--|
| PT NO    | KW   | HP                            | FLOW L/MIN | MAX P BAR | RESERVOIR SIZE LITRE | MOTOR TYPE | NETT. PRICE |   |  |
|          |      |                               |            |           |                      | £ STERLING | € EUROS     |   |  |
| ZZ001486 | 0.75 | 1                             | 1.68       | 210       | 5 litre horizontal   | 240VAC     | £468.03     | € 631.83  |  |
| ZZ001487 | 1.1  | 1.5                           | 2.38       | 210       | 5 litre horizontal   | 240VAC     | £509.54     | € 687.88  |  |
| ZZ001488 | 1.5  | 2                             | 3.5        | 210       | 8 litre horizontal   | 240VAC     | £560.35     | € 756.46  |  |
| ZZ001489 | 2.2  | 3                             | 4.9        | 210       | 8 litre horizontal   | 240VAC     | £678.42     | € 915.87  |  |
| ZZ001490 | 3    | 4                             | 6          | 210       | 10 litre horizontal  | 240VAC     | £728.51     | € 983.49  |  |

FLOWFIT®



| 415VAC   |      | 50HZ 3 PHASE P + T PORTS ONLY |            |           |                      |            |             | www.flowfitonline.com<br>TECH. DATA SHEET<br><b>PU1</b> |  |
|----------|------|-------------------------------|------------|-----------|----------------------|------------|-------------|---|--|
| PT NO    | KW   | HP                            | FLOW L/MIN | MAX P BAR | RESERVOIR SIZE LITRE | MOTOR TYPE | NETT. PRICE |   |  |
|          |      |                               |            |           |                      | £ STERLING | € EUROS     |   |  |
| ZZ001491 | 0.75 | 1                             | 1.68       | 210       | 5 litre horizontal   | 415VAC     | £394.32     | € 532.32  |  |
| ZZ001492 | 1.1  | 1.5                           | 2.38       | 210       | 5 litre horizontal   | 415VAC     | £415.78     | € 561.31  |  |
| ZZ001493 | 1.5  | 2                             | 3.5        | 210       | 8 litre horizontal   | 415VAC     | £447.27     | € 603.82  |  |
| ZZ001494 | 2.2  | 3                             | 4.9        | 210       | 8 litre horizontal   | 415VAC     | £475.18     | € 641.50  |  |
| ZZ001495 | 3    | 4                             | 6          | 210       | 10 litre horizontal  | 415VAC     | £568.93     | € 768.05  |  |
| ZZ001496 | 4    | 5.3                           | 9.7        | 210       | 15 litre horizontal  | 415VAC     | £666.98     | € 900.42  |  |

FLOWFIT®



| PETROL   |             | Loncin      |             | P + T PORTS ONLY              |              |           |                  |                          |             | www.flowfitonline.com<br>TECH. DATA SHEET<br><b>PU2</b> |  |
|----------|-------------|-------------|-------------|-------------------------------|--------------|-----------|------------------|--------------------------|-------------|---|--|
| PT NO    | ENGINE TYPE | KW 3600 RPM | HP 3600 RPM | FLOW RATE + MAX PSI           | ENGINE START | PUMP TYPE | OIL ALERT YES/NO | DIMENSION L X W X H (MM) | NETT. PRICE |   |  |
|          |             |             |             |                               |              |           |                  |                          | £ STERLING  | € EUROS   |  |
| ZZ001624 | Loncin      | 4.8         | 6.5         | 11.5 L/MIN @ 2900 PSI/200 BAR | Pull         | Gear      | yes              | 1015 x 385 x 600         | £1,216.59   | € 1,642.40  |  |
| ZZ001625 | Loncin      | 6.7         | 9           | 15.8 L/MIN @ 2900 PSI/200 BAR | Pull         | Gear      | yes              | 1015 x 385 x 600         | £1,345.40   | € 1,816.29  |  |
| ZZ001626 | Loncin      | 9.6         | 13          | 24 L/MIN @ 2900 PSI/200 BAR   | Pull         | Gear      | yes              | 1015 x 385 x 600         | £1,395.49   | € 1,883.91  |  |





| DIESEL   |             | HATZ        |             | P + T PORTS ONLY            |                               |           |                  |                         | www.flowfitonline.com<br>TECH. DATA SHEET<br><b>PU3</b> |            |
|----------|-------------|-------------|-------------|-----------------------------|-------------------------------|-----------|------------------|-------------------------|---|------------|
| PT NO    | ENGINE TYPE | KW 3000 RPM | HP 3000 RPM | FLOW RATE + MAX PSI         | ENGINE START                  | PUMP TYPE | OIL ALERT YES/NO | DIMENSION L X W XH (MM) | NETT. PRICE   |            |
|          |             |             |             |                             |                               |           |                  |                         | £ STERLING  | € EUROS    |
| ZZ001422 | Hatz        | 7.4         | 10          | 18 L/MIN @ 2900 PSI/200 BAR | Electric start<br>Manual stop | Gear      | yes              | 1015 x 385 x 600        | £3,148.79   | € 4,250.87 |
| ZZ001627 | Hatz        | 14.7        | 19.7        | 36 L/MIN @ 2900 PSI/200 BAR | Electric start<br>Manual stop | Gear      | yes              | 1015 X 385 X 600        | £5,725.08   | € 7,728.86 |

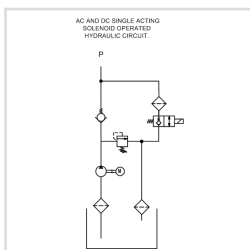


| BELT DRIVEN |                         | P + T PORTS ONLY     |           |                      |             | www.flowfitonline.com<br>TECH. DATA SHEET<br><b>PU4</b> |  |
|-------------|-------------------------|----------------------|-----------|----------------------|-------------|---|--|
| PT NO       | PUMP FLOW AT 1000 L/MIN | PUMP FLOW AT 3600RPM | MAX P BAR | RESERVOIR SIZE LITRE | NETT. PRICE |   |  |
|             |                         |                      |           |                      | £ STERLING  | € EUROS   |  |
| ZZ001621    | 1.2                     | 4.3                  | 210       | 8 Horizontal         | £428.67     | € 578.71  |  |
| ZZ001622    | 2.5                     | 9                    | 210       | 15 Horizontal        | £505.96     | € 683.05  |  |
| ZZ001623    | 3.5                     | 12.6                 | 210       | 18 Horizontal        | £520.28     | € 702.38  |  |

## READY BUILT IN STOCK SINGLE ACTING POWERUNIT

TO OPERATE A SINGLE ACTING CYLINDER ON ANY TRAILER OR TIPPER APPLICATIONS COMPLETE WITH TWO BUTTON PENDENT

### 12VDC

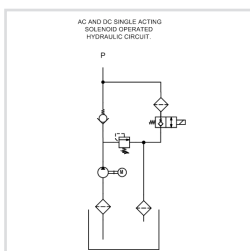


- 12vdc powerunit.
- 2.1cc/rev gear pump.
- 1.6kw 12vdc electric motor c/w relay and plastic motor cover.
- 4.3 litre reservoir c/w drain plug.
- Reservoir c/w suction strainer, return oil conveyor and filler breather
- Horizontal mounting Max pressure 220 bar.
- Max flow 4 l/min at 220 bar.
- Main relief valve adjustable from 50 - 220 bar.
- 12vdc let down valve, relief and P line check.
- Suitable for all single acting applications.
- 2 Button pendent on a 4 metre lead.

www.flowfitonline.com  
TECH. DATA SHEET  
**PU5**

| PT NO    | FLOW L/MIN | MAX P BAR | MOTOR SIZE KW | MOTOR TYPE | NETT. PRICE |          |
|----------|------------|-----------|---------------|------------|-------------|----------|
|          |            |           |               |            | £ STERLING  | € EUROS  |
| ZZ001974 | 4          | 220       | 1.6           | 12VDC      | £295.11     | € 398.40 |

### 24VDC



- 24vdc powerunit.
- 2.1cc/rev gear pump.
- 2kw 24vdc electric motor c/w relay and plastic motor cover.
- 4.3 litre reservoir c/w drain plug.
- Reservoir c/w suction strainer, return oil conveyor and filler breather
- Horizontal mounting Max pressure 220 bar.
- Max flow 4 l/min at 220 bar.
- Main relief valve adjustable from 50 - 220 bar.
- 24vdc let down valve, relief and P line check.
- Suitable for all single acting applications.
- 2 Button pendent on a 4 metre lead.

www.flowfitonline.com  
TECH. DATA SHEET  
**PU5**

| PT NO    | FLOW L/MIN | MAX P BAR | MOTOR SIZE KW | MOTOR TYPE | NETT. PRICE |          |
|----------|------------|-----------|---------------|------------|-------------|----------|
|          |            |           |               |            | £ STERLING  | € EUROS  |
| ZZ001648 | 4          | 220       | 2             | 24VDC      | £322.38     | € 435.22 |

FLOWFIT®



| 12VDC    |     | SINGLE ACTING SOLENOID OPERATED |           |                      |            |             |          |  |
|----------|-----|---------------------------------|-----------|----------------------|------------|-------------|----------|--|
| PT NO    | KW  | FLOW L/MIN                      | MAX P BAR | RESERVOIR SIZE LITRE | MOTOR TYPE | NETT. PRICE |          |  |
|          |     |                                 |           |                      |            | £ STERLING  | € EUROS  |  |
| ZZ001497 | 1.7 | 3.7                             | 200       | 5 litre horizontal   | 12VDC      | £597.03     | € 805.99 |  |
| ZZ001498 | 1.7 | 3.7                             | 200       | 8 litre horizontal   | 12VDC      | £571.78     | € 771.91 |  |
| ZZ001499 | 1.7 | 4.9                             | 175       | 8 litre horizontal   | 12VDC      | £573.22     | € 773.85 |  |
| ZZ001500 | 1.7 | 4.9                             | 175       | 10 litre horizontal  | 12VDC      | £606.86     | € 819.27 |  |
| ZZ001501 | 1.7 | 9.5                             | 100       | 15 litre vertical    | 12VDC      | £649.08     | € 876.26 |  |
| ZZ001502 | 1.7 | 9.5                             | 100       | 18 litre horizontal  | 12VDC      | £663.39     | € 895.58 |  |

FLOWFIT®



| 12VDC    |     | SINGLE ACTING SOLENOID OPERATED |           |                      |            |             |            |  |
|----------|-----|---------------------------------|-----------|----------------------|------------|-------------|------------|--|
| PT NO    | KW  | FLOW L/MIN                      | MAX P BAR | RESERVOIR SIZE LITRE | MOTOR TYPE | NETT. PRICE |            |  |
|          |     |                                 |           |                      |            | £ STERLING  | € EUROS    |  |
| ZZ001503 | 1.7 | 3.7                             | 200       | 5 litre horizontal   | 12VDC      | £649.79     | € 877.22   |  |
| ZZ001504 | 1.7 | 3.7                             | 200       | 8 litre horizontal   | 12VDC      | £656.95     | € 886.89   |  |
| ZZ001505 | 1.7 | 4.9                             | 175       | 8 litre horizontal   | 12VDC      | £658.39     | € 888.83   |  |
| ZZ001506 | 1.7 | 4.9                             | 175       | 10 litre horizontal  | 12VDC      | £692.02     | € 934.23   |  |
| ZZ001507 | 1.7 | 9.5                             | 100       | 15 litre vertical    | 12VDC      | £734.96     | € 992.20   |  |
| ZZ001508 | 1.7 | 9.5                             | 100       | 18 litre horizontal  | 12VDC      | £749.27     | € 1,011.52 |  |

FLOWFIT®



| 24VDC    |     | SINGLE ACTING SOLENOID OPERATED |           |                      |            |             |          |  |
|----------|-----|---------------------------------|-----------|----------------------|------------|-------------|----------|--|
| PT NO    | KW  | FLOW L/MIN                      | MAX P BAR | RESERVOIR SIZE LITRE | MOTOR TYPE | NETT. PRICE |          |  |
|          |     |                                 |           |                      |            | £ STERLING  | € EUROS  |  |
| ZZ001509 | 2.2 | 3.5                             | 200       | 5 litre horizontal   | 24VDC      | £566.07     | € 764.20 |  |
| ZZ001510 | 2.2 | 3.5                             | 200       | 8 litre horizontal   | 24VDC      | £573.93     | € 774.81 |  |
| ZZ001511 | 2.2 | 4.25                            | 200       | 8 litre horizontal   | 24VDC      | £575.37     | € 776.75 |  |
| ZZ001512 | 2.2 | 4.25                            | 200       | 10 litre horizontal  | 24VDC      | £608.29     | € 821.19 |  |
| ZZ001513 | 2.2 | 7.5                             | 175       | 15 litre vertical    | 24VDC      | £654.09     | € 883.02 |  |
| ZZ001514 | 2.2 | 7.5                             | 175       | 18 litre horizontal  | 24VDC      | £668.41     | € 902.36 |  |

FLOWFIT®



| 24VDC    |     | 24VDC SINGLE ACTING MANUAL LEVER OPERATED |           |                      |            |             |            |  |
|----------|-----|---|-----------|----------------------|------------|-------------|------------|--|
| PT NO    | KW  | FLOW L/MIN                                | MAX P BAR | RESERVOIR SIZE LITRE | MOTOR TYPE | NETT. PRICE |            |  |
|          |     |   |           |                      |            | £ STERLING  | € EUROS    |  |
| ZZ001515 | 2.2 | 3.5                                       | 200       | 5 litre horizontal   | 24VDC      | £651.26     | € 879.21   |  |
| ZZ001516 | 2.2 | 3.5                                       | 200       | 8 litre horizontal   | 24VDC      | £658.39     | € 888.83   |  |
| ZZ001517 | 2.2 | 4.25                                      | 200       | 8 litre horizontal   | 24VDC      | £658.39     | € 888.83   |  |
| ZZ001518 | 2.2 | 4.25                                      | 200       | 10 litre horizontal  | 24VDC      | £692.73     | € 935.19   |  |
| ZZ001519 | 2.2 | 7.5                                       | 175       | 15 litre vertical    | 24VDC      | £734.96     | € 992.20   |  |
| ZZ001514 | 2.2 | 7.5                                       | 175       | 18 litre horizontal  | 24VDC      | £749.27     | € 1,011.52 |  |

FLOWFIT®



| 110VAC   |      | 50HZ 1 PHASE SINGLE ACTING SOLENOID OPERATED |            |           |                      |            |             |            |
|----------|------|--|------------|-----------|----------------------|------------|-------------|------------|
| PT NO    | KW   | HP   | FLOW L/MIN | MAX P BAR | RESERVOIR SIZE LITRE | MOTOR TYPE | NETT. PRICE |            |
|          |      |  |            |           |                      | £ STERLING | € EUROS     |            |
| ZZ001524 | 0.75 | 1  | 1.68       | 210       | 5 litre horizontal   | 110VAC     | £549.61     | € 741.98   |
| ZZ001525 | 1.1  | 1.5  | 2.38       | 210       | 5 litre horizontal   | 110VAC     | £636.92     | € 859.84   |
| ZZ001526 | 1.5  | 2  | 3.5        | 210       | 8 litre horizontal   | 110VAC     | £662.68     | € 894.62   |
| ZZ001527 | 2.2  | 3  | 4.9        | 210       | 8 litre horizontal   | 110VAC     | £742.83     | € 1,002.82 |
| ZZ001528 | 3    | 4  | 6          | 210       | 10 litre horizontal  | 110VAC     | £831.57     | € 1,122.62 |

**USE TECH. DATA SHEET PU1 FOR PRODUCTS ON THIS PAGE**



| 110VAC   |      | 50HZ 1 PHASE SINGLE ACTING MANUAL LEVER OPERATED |            |           |                      |            |             |            |  |
|----------|------|--|------------|-----------|----------------------|------------|-------------|------------|--|
| PT NO    | KW   | HP   | FLOW L/MIN | MAX P BAR | RESERVOIR SIZE LITRE | MOTOR TYPE | NETT. PRICE |            |  |
|          |      |  |            |           |                      |            | £ STERLING  | € EUROS    |  |
| ZZ001529 | 0.75 | 1  | 1.68       | 210       | 5 litre horizontal   | 110VAC     | £613.30     | € 827.95   |  |
| ZZ001530 | 1.1  | 1.5  | 2.38       | 210       | 5 litre horizontal   | 110VAC     | £664.10     | € 896.54   |  |
| ZZ001531 | 1.5  | 2  | 3.5        | 210       | 8 litre horizontal   | 110VAC     | £719.22     | € 970.94   |  |
| ZZ001532 | 2.2  | 3  | 4.9        | 210       | 8 litre horizontal   | 110VAC     | £820.12     | € 1,107.16 |  |
| ZZ001533 | 3    | 4  | 6          | 210       | 10 litre horizontal  | 110VAC     | £885.96     | € 1,196.05 |  |



| 240VAC   |      | 50HZ 1 PHASE SINGLE ACTING SOLENOID OPERATED |            |           |                      |            |             |          |  |
|----------|------|--|------------|-----------|----------------------|------------|-------------|----------|--|
| PT NO    | KW   | HP   | FLOW L/MIN | MAX P BAR | RESERVOIR SIZE LITRE | MOTOR TYPE | NETT. PRICE |          |  |
|          |      |  |            |           |                      |            | £ STERLING  | € EUROS  |  |
| ZZ001534 | 0.75 | 1  | 1.68       | 210       | 5 litre horizontal   | 240VAC     | £507.38     | € 684.97 |  |
| ZZ001535 | 1.1  | 1.5  | 2.38       | 210       | 5 litre horizontal   | 240VAC     | £548.18     | € 740.04 |  |
| ZZ001536 | 1.5  | 2  | 3.5        | 210       | 8 litre horizontal   | 240VAC     | £662.68     | € 894.62 |  |
| ZZ001537 | 2.2  | 3  | 4.9        | 210       | 8 litre horizontal   | 240VAC     | £720.48     | € 972.65 |  |
| ZZ001538 | 3    | 4  | 6          | 210       | 10 litre horizontal  | 240VAC     | £733.53     | € 990.26 |  |



| 240VAC   |      | 50HZ 1 PHASE SINGLE ACTING MANUAL LEVER OPERATED |            |           |                      |            |             |            |  |
|----------|------|--|------------|-----------|----------------------|------------|-------------|------------|--|
| PT NO    | KW   | HP   | FLOW L/MIN | MAX P BAR | RESERVOIR SIZE LITRE | MOTOR TYPE | NETT. PRICE |            |  |
|          |      |  |            |           |                      |            | £ STERLING  | € EUROS    |  |
| ZZ001539 | 0.75 | 1  | 1.68       | 210       | 5 litre horizontal   | 240VAC     | £571.08     | € 770.96   |  |
| ZZ001540 | 1.1  | 1.5  | 2.38       | 210       | 5 litre horizontal   | 240VAC     | £612.59     | € 826.99   |  |
| ZZ001541 | 1.5  | 2  | 3.5        | 210       | 8 litre horizontal   | 240VAC     | £655.52     | € 884.95   |  |
| ZZ001542 | 2.2  | 3  | 4.9        | 210       | 8 litre horizontal   | 240VAC     | £775.04     | € 1,046.30 |  |
| ZZ001543 | 3    | 4  | 6          | 210       | 10 litre horizontal  | 240VAC     | £788.63     | € 1,064.64 |  |



| 415VAC   |      | 50HZ 3 PHASE SINGLE ACTING SOLENOID OPERATED |            |           |                      |            |             |          |  |
|----------|------|--|------------|-----------|----------------------|------------|-------------|----------|--|
| PT NO    | KW   | HP   | FLOW L/MIN | MAX P BAR | RESERVOIR SIZE LITRE | MOTOR TYPE | NETT. PRICE |          |  |
|          |      |  |            |           |                      |            | £ STERLING  | € EUROS  |  |
| ZZ001544 | 0.75 | 1  | 1.68       | 210       | 5 litre horizontal   | 415VAC     | £450.13     | € 607.68 |  |
| ZZ001545 | 1.1  | 1.5  | 2.38       | 210       | 5 litre horizontal   | 415VAC     | £467.32     | € 630.88 |  |
| ZZ001546 | 1.5  | 2  | 3.5        | 210       | 8 litre horizontal   | 415VAC     | £498.80     | € 673.38 |  |
| ZZ001547 | 2.2  | 3  | 4.9        | 210       | 8 litre horizontal   | 415VAC     | £525.99     | € 710.09 |  |
| ZZ001548 | 3    | 4  | 6          | 210       | 10 litre horizontal  | 415VAC     | £574.66     | € 775.79 |  |
| ZZ002674 | 1.1  | 1.5  | 6.48       | 210       | 12 litre vertical    | 415 VAC    | £571.08     | € 770.96 |  |
| ZZ001549 | 4    | 5.3  | 9.7        | 210       | 15 litre vertical    | 415VAC     | £543.89     | € 734.25 |  |



| 415VAC   |      | 50HZ 3 PHASE SINGLE ACTING MANUAL LEVER OPERATED |            |           |                      |            |             |          |  |
|----------|------|--|------------|-----------|----------------------|------------|-------------|----------|--|
| PT NO    | KW   | HP   | FLOW L/MIN | MAX P BAR | RESERVOIR SIZE LITRE | MOTOR TYPE | NETT. PRICE |          |  |
|          |      |  |            |           |                      |            | £ STERLING  | € EUROS  |  |
| ZZ001550 | 0.75 | 1  | 1.68       | 210       | 5 Horizontal         | 415VAC     | £502.38     | € 678.22 |  |
| ZZ001551 | 1.1  | 1.5  | 2.38       | 210       | 5 Horizontal         | 415VAC     | £518.84     | € 700.43 |  |
| ZZ001552 | 1.5  | 2  | 3.5        | 210       | 8 Horizontal         | 415VAC     | £542.45     | € 732.30 |  |
| ZZ001553 | 2.2  | 3  | 4.9        | 210       | 8 Horizontal         | 415VAC     | £571.08     | € 770.96 |  |
| ZZ001554 | 3    | 4  | 6          | 210       | 10 Horizontal        | 415VAC     | £629.77     | € 850.19 |  |
| ZZ001555 | 4    | 5.3  | 9.7        | 210       | 15 Vertical          | 415VAC     | £686.30     | € 926.50 |  |

**USE TECH. DATA SHEET PU1 FOR PRODUCTS ON THIS PAGE**

FLOWFIT®



| PETROL   |             | LONCIN      |             |                               |              |           |                  |                          | SINGLE ACTING POWERUNIT |            | www.flowfitonline.com<br>TECH. DATA SHEET<br><b>PU2</b> |  |
|----------|-------------|-------------|-------------|-------------------------------|--------------|-----------|------------------|--------------------------|-------------------------|------------|---|--|
| PT NO    | ENGINE TYPE | KW 3600 RPM | HP 3600 RPM | FLOW RATE + MAX PSI           | ENGINE START | PUMP TYPE | OIL ALERT YES/NO | DIMENSION L X W X H (MM) | NETT. PRICE             |            |   |  |
|          |             |             |             |                               |              |           |                  |                          | £ STERLING              | € EUROS    |   |  |
| ZZ001362 | Loncin      | 4.8         | 6.5         | 11.5 L/MIN @ 2900 PSI/200 BAR | Pull         | Gear      | yes              | 1015 x 385 x 600         | £1,277.41               | € 1,724.51 |   |  |
| ZZ001363 | Loncin      | 6.7         | 9           | 15.8 L/MIN @ 2900 PSI/200 BAR | Pull         | Gear      | yes              | 1015 x 385 x 600         | £1,158.65               | € 1,564.17 |   |  |
| ZZ001364 | Loncin      | 9.6         | 13          | 24 L/MIN @ 2900 PSI/200 BAR   | Pull         | Gear      | yes              | 1015 x 385 x 600         | £1,263.72               | € 1,706.02 |   |  |

FLOWFIT®



| DIESEL   |             | HATZ        |             |                             |                               |           |                  |                          | SINGLE ACTING POWERUNIT |            | www.flowfitonline.com<br>TECH. DATA SHEET<br><b>PU6</b> |  |
|----------|-------------|-------------|-------------|-----------------------------|-------------------------------|-----------|------------------|--------------------------|-------------------------|------------|---|--|
| PT NO    | ENGINE TYPE | KW 3000 RPM | HP 3000 RPM | FLOW RATE + MAX PSI         | ENGINE START                  | PUMP TYPE | OIL ALERT YES/NO | DIMENSION L X W X H (MM) | NETT. PRICE             |            |   |  |
|          |             |             |             |                             |                               |           |                  |                          | £ STERLING              | € EUROS    |   |  |
| ZZ001422 | Hatz        | 7.4         | 10          | 18 L/MIN @ 2900 PSI/200 BAR | Electric start<br>Manual stop | Gear      | yes              | 1015 x 385 x 600         | £3,148.79               | € 4,250.87 |   |  |
| ZZ001628 | Hatz        | 14.7        | 19.7        | 36 L/MIN @ 2900 PSI/200 BAR | Electric start<br>Manual stop | Gear      | yes              | 1015 X 385 X 600         | £5,725.08               | € 7,728.86 |   |  |

FLOWFIT®



| BELT DRIVEN |  | SINGLE ACTING POWERUNIT SOLENOID RELEASE |                      |           |                      | www.flowfitonline.com<br>TECH. DATA SHEET<br><b>PU7</b> |          |
|-------------|--|--|----------------------|-----------|----------------------|---|----------|
| PT NO       |  | PUMP FLOW AT 1000 L/MIN                  | PUMP FLOW AT 3600RPM | MAX P BAR | RESERVOIR SIZE LITRE | NETT. PRICE   |          |
|             |  |  |                      |           |                      | £ STERLING  | € EUROS  |
| ZZ001630    |  | 1.2                                      | 4.3                  | 210       | 8 Horizontal         | £526.71   | € 711.06 |
| ZZ001631    |  | 2.5                                      | 9                    | 210       | 15 Vertical          | £604.00   | € 815.40 |
| ZZ001632    |  | 3.5                                      | 12.6                 | 210       | 18 Horizontal        | £619.74   | € 836.63 |

FLOWFIT®



| BELT DRIVEN |  | SINGLE ACTING POWERUNIT MANUAL LEVER RELEASE |                      |           |                      | www.flowfitonline.com<br>TECH. DATA SHEET<br><b>PU7</b> |          |
|-------------|--|--|----------------------|-----------|----------------------|---|----------|
| PT NO       |  | PUMP FLOW AT 1000 L/MIN                      | PUMP FLOW AT 3600RPM | MAX P BAR | RESERVOIR SIZE LITRE | NETT. PRICE   |          |
|             |  |  |                      |           |                      | £ STERLING  | € EUROS  |
| ZZ001634    |  | 1.2  | 4.3                  | 210       | 8 Horizontal         | £538.88   | € 727.49 |
| ZZ001635    |  | 2.5  | 9                    | 210       | 15 Vertical          | £614.01   | € 828.92 |
| ZZ001636    |  | 3.5  | 12.6                 | 210       | 18 Horizontal        | £621.17   | € 838.58 |

## UP100 READY BUILT IN STOCK DOUBLE ACTING CIRCUIT

IDEAL FOR OPERATING A DOUBLE ACTING CIRCUIT, OR A HYDRAULIC MOTOR.

FLOWFIT®



| 12VDC    |     | DOUBLE ACTING SOLENOID OPERATED |           |                      |            | www.flowfitonline.com<br>TECH. DATA SHEET<br><b>PU1</b> |            |
|----------|-----|---------------------------------|-----------|----------------------|------------|---|------------|
| PT NO    | KW  | FLOW L/MIN                      | MAX P BAR | RESERVOIR SIZE LITRE | MOTOR TYPE | NETT. PRICE   |            |
|          |     |                                 |           |                      |            | £ STERLING  | € EUROS    |
| ZZ001556 | 1.7 | 3.7                             | 200       | 5 litre horizontal   | 12VDC      | £644.08   | € 869.51   |
| ZZ001557 | 1.7 | 3.7                             | 200       | 8 litre horizontal   | 12VDC      | £719.22   | € 970.94   |
| ZZ001558 | 1.7 | 4.9                             | 175       | 8 litre horizontal   | 12VDC      | £720.64   | € 972.87   |
| ZZ001559 | 1.7 | 4.9                             | 175       | 10 litre horizontal  | 12VDC      | £752.85   | € 1,016.34 |
| ZZ001560 | 1.7 | 9.5                             | 100       | 15 litre vertical    | 12VDC      | £795.07   | € 1,073.35 |
| ZZ001561 | 1.7 | 9.5                             | 100       | 18 litre horizontal  | 12VDC      | £807.24   | € 1,089.77 |

**FLOWFIT®**



| 12VDC    |     | DOUBLE ACTING MANUAL LEVER OPERATED |           |                      |            |             |            |
|----------|-----|-------------------------------------|-----------|----------------------|------------|-------------|------------|
| PT NO    | KW  | FLOW L/MIN                          | MAX P BAR | RESERVOIR SIZE LITRE | MOTOR TYPE | NETT. PRICE |            |
|          |     |                                     |           |                      |            | £ STERLING  | € EUROS    |
| ZZ001562 | 1.7 | 3.7                                 | 200       | 5 litre horizontal   | 12VDC      | £649.80     | € 877.24   |
| ZZ001563 | 1.7 | 3.7                                 | 200       | 8 litre horizontal   | 12VDC      | £656.96     | € 886.90   |
| ZZ001564 | 1.7 | 4.9                                 | 175       | 8 litre horizontal   | 12VDC      | £658.39     | € 888.83   |
| ZZ001565 | 1.7 | 4.9                                 | 175       | 10 litre horizontal  | 12VDC      | £691.31     | € 933.27   |
| ZZ001566 | 1.7 | 9.5                                 | 100       | 15 litre vertical    | 12VDC      | £733.53     | € 990.26   |
| ZZ001567 | 1.7 | 9.5                                 | 100       | 18 litre horizontal  | 12VDC      | £750.70     | € 1,013.44 |

**FLOWFIT®**



| 24VDC    |     | DOUBLE ACTING SOLENOID OPERATED |           |                      |            |             |            |
|----------|-----|---------------------------------|-----------|----------------------|------------|-------------|------------|
| PT NO    | KW  | FLOW L/MIN                      | MAX P BAR | RESERVOIR SIZE LITRE | MOTOR TYPE | NETT. PRICE |            |
|          |     |                                 |           |                      |            | £ STERLING  | € EUROS    |
| ZZ001568 | 2.2 | 3.5                             | 200       | 5 litre horizontal   | 24VDC      | £656.96     | € 886.90   |
| ZZ001569 | 2.2 | 3.5                             | 200       | 8 litre horizontal   | 24VDC      | £731.39     | € 987.37   |
| ZZ001570 | 2.2 | 4.25                            | 200       | 8 litre horizontal   | 24VDC      | £747.12     | € 1,008.62 |
| ZZ001571 | 2.2 | 4.25                            | 200       | 10 litre horizontal  | 24VDC      | £768.60     | € 1,037.61 |
| ZZ001572 | 2.2 | 7.5                             | 175       | 15 litre vertical    | 24VDC      | £807.24     | € 1,089.77 |
| ZZ001573 | 2.2 | 7.5                             | 175       | 18 litre horizontal  | 24VDC      | £827.99     | € 1,117.79 |

**FLOWFIT®**



| 24VDC    |     | DOUBLE ACTING MANUAL LEVER OPERATED |           |                      |            |             |          |
|----------|-----|-------------------------------------|-----------|----------------------|------------|-------------|----------|
| PT NO    | KW  | FLOW L/MIN                          | MAX P BAR | RESERVOIR SIZE LITRE | MOTOR TYPE | NETT. PRICE |          |
|          |     |                                     |           |                      |            | £ STERLING  | € EUROS  |
| ZZ001574 | 2.2 | 3.5                                 | 200       | 5 litre horizontal   | 24VDC      | £650.52     | € 878.20 |
| ZZ001575 | 2.2 | 3.5                                 | 200       | 8 litre horizontal   | 24VDC      | £654.10     | € 883.04 |
| ZZ001584 | 2.2 | 4.25                                | 200       | 8 litre horizontal   | 24VDC      | £654.10     | € 883.04 |
| ZZ001585 | 2.2 | 4.25                                | 200       | 10 litre horizontal  | 24VDC      | £690.60     | € 932.30 |
| ZZ001586 | 2.2 | 7.5                                 | 175       | 15 litre vertical    | 24VDC      | £734.96     | € 992.20 |
| ZZ001587 | 2.2 | 7.5                                 | 175       | 18 litre horizontal  | 24VDC      | £737.81     | € 996.05 |

**FLOWFIT®**



| 110VAC   |      | 50HZ 1 PHASE DOUBLE ACTING SOLENOID OPERATED |            |           |                      |            |             |            |
|----------|------|--|------------|-----------|----------------------|------------|-------------|------------|
| PT NO    | KW   | HP   | FLOW L/MIN | MAX P BAR | RESERVOIR SIZE LITRE | MOTOR TYPE | NETT. PRICE |            |
|          |      |  |            |           |                      | £ STERLING | € EUROS     |            |
| ZZ001588 | 0.75 | 1  | 1.68       | 210       | 5 litre horizontal   | 110VAC     | £597.55     | € 806.70   |
| ZZ001589 | 1.1  | 1.5  | 2.38       | 210       | 5 litre horizontal   | 110VAC     | £648.37     | € 875.30   |
| ZZ001590 | 1.5  | 2  | 3.5        | 210       | 8 litre horizontal   | 110VAC     | £806.41     | € 1,088.66 |
| ZZ001591 | 2.2  | 3  | 4.9        | 210       | 8 litre horizontal   | 110VAC     | £795.80     | € 1,074.32 |
| ZZ001592 | 3    | 4  | 6          | 210       | 10 litre horizontal  | 110VAC     | £911.01     | € 1,229.86 |

**FLOWFIT®**



| 110VAC   |      | 50HZ 1 PHASE DOUBLE ACTING MANUAL LEVER OPERATED |            |           |                      |            |             |            |
|----------|------|--|------------|-----------|----------------------|------------|-------------|------------|
| PT NO    | KW   | HP   | FLOW L/MIN | MAX P BAR | RESERVOIR SIZE LITRE | MOTOR TYPE | NETT. PRICE |            |
|          |      |  |            |           |                      | £ STERLING | € EUROS     |            |
| ZZ001593 | 0.75 | 1  | 1.68       | 210       | 5 litre horizontal   | 110VAC     | £616.16     | € 831.82   |
| ZZ001594 | 1.1  | 1.5  | 2.38       | 210       | 5 litre horizontal   | 110VAC     | £640.43     | € 864.57   |
| ZZ001595 | 1.5  | 2  | 3.5        | 210       | 8 litre horizontal   | 110VAC     | £727.80     | € 982.53   |
| ZZ001596 | 2.2  | 3  | 4.9        | 210       | 8 litre horizontal   | 110VAC     | £814.59     | € 1,099.70 |
| ZZ001597 | 3    | 4  | 6          | 210       | 10 litre horizontal  | 110VAC     | £941.06     | € 1,270.44 |

**FLOWFIT®**



| 240VAC   |      | 240VAC 50HZ 1 PHASE DOUBLE ACTING SOLENOID OPERATED |            |           |                      |            |             |            |
|----------|------|---|------------|-----------|----------------------|------------|-------------|------------|
| PT NO    | KW   | HP  | FLOW L/MIN | MAX P BAR | RESERVOIR SIZE LITRE | MOTOR TYPE | NETT. PRICE |            |
|          |      |   |            |           |                      | £ STERLING | € EUROS     |            |
| ZZ001598 | 0.75 | 1   | 1.68       | 210       | 5 litre horizontal   | 240VAC     | £599.70     | € 809.60   |
| ZZ001599 | 1.1  | 1.5   | 2.38       | 210       | 5 litre horizontal   | 240VAC     | £665.55     | € 898.48   |
| ZZ001600 | 1.5  | 2   | 3.5        | 210       | 8 litre horizontal   | 240VAC     | £689.88     | € 931.34   |
| ZZ001601 | 2.2  | 3   | 4.9        | 210       | 8 litre horizontal   | 240VAC     | £809.38     | € 1,092.67 |
| ZZ001602 | 3    | 4   | 6          | 210       | 10 litre horizontal  | 240VAC     | £953.94     | € 1,287.82 |

**USE TECH. DATA SHEET PU1 FOR PRODUCTS ON THIS PAGE**

FLOWFIT®



| 240VAC   |      | 50HZ 1 PHASE DOUBLE ACTING MANUAL LEVER OPERATED |            |           |                      |            | www.flowfitonline.com<br>TECH. DATA SHEET<br><b>PU1</b> |            |
|----------|------|--|------------|-----------|----------------------|------------|---|------------|
| PT NO    | KW   | HP   | FLOW L/MIN | MAX P BAR | RESERVOIR SIZE LITRE | MOTOR TYPE | NETT. PRICE   |            |
|          |      |  |            |           |                      |            | £ STERLING  | € EUROS    |
| ZZ001603 | 0.75 | 1  | 1.68       | 210       | 5 litre horizontal   | 240VAC     | £573.94   | € 774.82   |
| ZZ001604 | 1.1  | 1.5  | 2.38       | 210       | 5 litre horizontal   | 240VAC     | £639.79   | € 863.72   |
| ZZ001605 | 1.5  | 2  | 3.5        | 210       | 8 litre horizontal   | 240VAC     | £663.84   | € 896.18   |
| ZZ001606 | 2.2  | 3  | 4.9        | 210       | 8 litre horizontal   | 240VAC     | £782.91   | € 1,056.93 |
| ZZ001607 | 3    | 4  | 6          | 210       | 10 litre horizontal  | 240VAC     | £838.73   | € 1,132.28 |

FLOWFIT®



| 415VAC   |      | 50HZ 3 PHASE DOUBLE ACTING SOLENOID OPERATED |            |           |                      |            | www.flowfitonline.com<br>TECH. DATA SHEET<br><b>PU1</b> |            |
|----------|------|--|------------|-----------|----------------------|------------|---|------------|
| PT NO    | KW   | HP   | FLOW L/MIN | MAX P BAR | RESERVOIR SIZE LITRE | MOTOR TYPE | NETT. PRICE   |            |
|          |      |  |            |           |                      |            | £ STERLING  | € EUROS    |
| ZZ001608 | 0.75 | 1  | 1.68       | 210       | 5 litre horizontal   | 415VAC     | £485.94   | € 656.00   |
| ZZ001609 | 1.1  | 1.5  | 2.38       | 210       | 5 litre horizontal   | 415VAC     | £503.09   | € 679.17   |
| ZZ001610 | 1.5  | 2  | 3.5        | 210       | 8 litre horizontal   | 415VAC     | £533.15   | € 719.76   |
| ZZ001611 | 2.2  | 3  | 4.9        | 210       | 8 litre horizontal   | 415VAC     | £560.35   | € 756.46   |
| ZZ001612 | 3    | 4  | 6          | 210       | 10 litre horizontal  | 415VAC     | £654.81   | € 884.00   |
| ZZ002674 | 1.1  | 1.5  | 6.48       | 210       | 12 litre horizontal  | 415VAC     | £571.08   | € 770.96   |
| ZZ001613 | 4    | 5.3  | 9.7        | 210       | 15 litre vertical    | 415VAC     | £754.28   | € 1,018.28 |

FLOWFIT®



| 415VAC   |      | 50HZ 3 PHASE DOUBLE ACTING MANUAL LEVER OPERATED |            |           |                      |            | www.flowfitonline.com<br>TECH. DATA SHEET<br><b>PU1</b> |            |
|----------|------|--|------------|-----------|----------------------|------------|---|------------|
| PT NO    | KW   | HP   | FLOW L/MIN | MAX P BAR | RESERVOIR SIZE LITRE | MOTOR TYPE | NETT. PRICE   |            |
|          |      |  |            |           |                      |            | £ STERLING  | € EUROS    |
| ZZ001614 | 0.75 | 1  | 1.68       | 210       | 5 litre horizontal   | 415VAC     | £504.53   | € 681.11   |
| ZZ001615 | 1.1  | 1.5  | 2.38       | 210       | 5 litre horizontal   | 415VAC     | £521.70   | € 704.31   |
| ZZ001616 | 1.5  | 2  | 3.5        | 210       | 8 litre horizontal   | 415VAC     | £527.44   | € 712.03   |
| ZZ001617 | 2.2  | 3  | 4.9        | 210       | 8 litre horizontal   | 415VAC     | £578.96   | € 781.59   |
| ZZ001618 | 3    | 4  | 6          | 210       | 10 litre horizontal  | 415VAC     | £682.00   | € 920.70   |
| ZZ001619 | 4    | 5.3  | 9.7        | 210       | 15 litre vertical    | 415VAC     | £807.42   | € 1,090.01 |

FLOWFIT®



| PETROL   |             |             |             | DOUBLE ACTING POWERUNIT       |              |           |                  |                          | www.flowfitonline.com<br>TECH. DATA SHEET<br><b>PU2</b> |            |
|----------|-------------|-------------|-------------|-------------------------------|--------------|-----------|------------------|--------------------------|---|------------|
| PT NO    | ENGINE TYPE | KW 3600 RPM | HP 3600 RPM | FLOW RATE + MAX PSI           | ENGINE START | PUMP TYPE | OIL ALERT YES/NO | DIMENSION L X W X H (MM) | NETT. PRICE   |            |
|          |             |             |             |                               |              |           |                  |                          | £ STERLING  | € EUROS    |
| ZZ001637 | Loncin      | 4.8         | 6.5         | 11.5 L/MIN @ 2900 PSI/200 BAR | Pull         | Gear      | yes              | 1015 x 385 x 600         | £1,216.59   | € 1,642.40 |
| ZZ001638 | Loncin      | 6.7         | 9           | 15.8 L/MIN @ 2900 PSI/200 BAR | Pull         | Gear      | yes              | 1015 x 385 x 600         | £1,345.40   | € 1,816.29 |
| ZZ001639 | Loncin      | 9.6         | 13          | 24 L/MIN @ 2900 PSI/200 BAR   | Pull         | Gear      | yes              | 1015 x 385 x 600         | £1,395.49   | € 1,883.91 |

FLOWFIT®



| DIESEL   |             |             |             | DOUBLE ACTING POWERUNIT     |                               |           |                  |                          | www.flowfitonline.com<br>TECH. DATA SHEET<br><b>PU6</b> |            |
|----------|-------------|-------------|-------------|-----------------------------|-------------------------------|-----------|------------------|--------------------------|---|------------|
| PT NO    | ENGINE TYPE | KW 3000 RPM | HP 3000 RPM | FLOW RATE + MAX PSI         | ENGINE START                  | PUMP TYPE | OIL ALERT YES/NO | DIMENSION L X W X H (MM) | NETT. PRICE   |            |
|          |             |             |             |                             |                               |           |                  |                          | £ STERLING  | € EUROS    |
| ZZ001422 | Hatz        | 7.4         | 10          | 18 l/min @ 2900 psi/200 bar | Electric start<br>Manual stop | Gear      | yes              | 1015 x 385 x 600         | £3,148.79   | € 4,250.87 |
| ZZ001640 | Hatz        | 14.7        | 19.7        | 36 L/MIN @ 2900 PSI/200 BAR | Electric start<br>Manual stop | Gear      | yes              | 1015 X 385 X 600         | £5,725.08   | € 7,728.86 |

**FLOWFIT®**



| BELT DRIVEN | DOUBLE ACTING POWERUNIT SOLENOID POWERUNIT |                         |                      |               | www.flowfitonline.com<br>TECH. DATA SHEET<br><b>PU4</b> |             |         |
|-------------|--|-------------------------|----------------------|---------------|---|-------------|---------|
|             | PT NO                                      | PUMP FLOW AT 1000 L/MIN | PUMP FLOW AT 3600RPM | MAX P BAR     | RESERVOIR SIZE LITRE                                    | NETT. PRICE |         |
|             |  |                         |                      |               |   | £ STERLING  | € EUROS |
| ZZ001641    | 1.2  | 4.3                     | 210                  | 8 Horizontal  | £510.97   | € 689.81    |         |
| ZZ001642    | 2.5  | 9                       | 210                  | 15 Horizontal | £585.39   | € 790.28    |         |
| ZZ001643    | 3.5  | 12.6                    | 210                  | 18 Horizontal | £595.40   | € 803.80    |         |

**FLOWFIT®**



| BELT DRIVEN | DOUBLE ACTING MANUAL LEVER RELEASE |                         |                      |               | www.flowfitonline.com<br>TECH. DATA SHEET<br><b>PU4</b> |             |         |
|-------------|------------------------------------|-------------------------|----------------------|---------------|---|-------------|---------|
|             | PT NO                              | PUMP FLOW AT 1000 L/MIN | PUMP FLOW AT 3600RPM | MAX P BAR     | RESERVOIR SIZE LITRE                                    | NETT. PRICE |         |
|             |                                    |                         |                      |               |   | £ STERLING  | € EUROS |
| ZZ001644    | 1.2                                | 4.3                     | 210                  | 8 Horizontal  | £538.16   | € 726.52    |         |
| ZZ001645    | 2.5                                | 9                       | 210                  | 15 horizontal | £604.70   | € 816.35    |         |
| ZZ001646    | 3.5                                | 12.6                    | 210                  | 18 Horizontal | £623.73   | € 842.04    |         |

## HF500 250 BAR POWER PACKS

The HF500 series of standard power packs is based on a range of 3phase motors from 2.2kw to 18.5kw. Supplied fully assembled and tested, these units offer pressures up to 250 bar and flows up to 133lpm. All components in stock ready to assemble for immediate delivery.

### THE HF500 BASIC POWERUNIT STEP 1 CONSISTS OF:

- ELECTRIC MOTOR 415V 50HZ 3PH 4PL
- GALTECH AP200 OR AP300 GEAR PUMP
- FLOWFIT BELL HOUSING AND DRIVE COUPLING
- IKRON TANK TOP RETURN LINE FILTER 10 MICRON C/W VISUAL INDICATOR
- IKRON FILLER BREATHER AND IKRON SUCTION STRAINER 125 MICRON



### TO GENERATE YOUR FULL ORDER NUMBER SELECT THE COSTING CODE OR EACH COMPONENT

#### EXAMPLE

**STEP 1**  
SELECT MOTOR  
EG: HF50053  
£1,629.50

www.flowfitonline.com  
TECH. DATA SHEET  
**PU8**

| FLOW | MAX PRESS BAR | MOTOR KW SIZE | PART NUMBER | NETT. PRICE |            |
|------|---------------|---------------|-------------|-------------|------------|
|      |               |               |             | £ STERLING  | € EUROS    |
| 15.8 | 175           | 5.5           | HF50010     | £1,121.77   | € 1,514.40 |
| 15.8 | 235           | 7.5           | HF50011     | £1,171.67   | € 1,581.76 |
| 21.6 | 50            | 2.2           | HF50012     | £902.86     | € 1,218.86 |
| 21.6 | 90            | 4             | HF50013     | £983.99     | € 1,328.38 |
| 21.6 | 125           | 5.5           | HF50014     | £1,121.77   | € 1,514.40 |
| 21.6 | 170           | 7.5           | HF50015     | £1,171.67   | € 1,581.76 |
| 21.6 | 250           | 11            | HF50016     | £1,415.76   | € 1,911.29 |
| 27.2 | 40            | 2.2           | HF50017     | £902.86     | € 1,218.86 |
| 27.2 | 55            | 3             | HF50018     | £934.08     | € 1,261.00 |
| 27.2 | 70            | 4             | HF50019     | £983.99     | € 1,328.38 |
| 27.2 | 100           | 5.5           | HF50020     | £1,121.77   | € 1,514.40 |
| 27.2 | 135           | 7.5           | HF50021     | £1,171.67   | € 1,581.76 |
| 27.2 | 200           | 11            | HF50022     | £1,415.76   | € 1,911.29 |
| 30.2 | 40            | 2.2           | HF50023     | £902.86     | € 1,218.86 |
| 30.2 | 50            | 3             | HF50024     | £934.08     | € 1,261.00 |
| 30.2 | 64            | 4             | HF50025     | £983.99     | € 1,328.38 |
| 30.2 | 95            | 5.5           | HF50026     | £1,145.18   | € 1,546.00 |
| 30.2 | 130           | 7.5           | HF50027     | £1,171.67   | € 1,581.76 |
| 30.2 | 190           | 11            | HF50028     | £1,439.18   | € 1,942.88 |
| 30.2 | 250           | 15            | HF50029     | £1,493.88   | € 2,016.73 |
| 37.5 | 40            | 3             | HF50030     | £934.08     | € 1,261.00 |
| 37.2 | 55            | 4             | HF50031     | £983.99     | € 1,328.38 |
| 37.2 | 80            | 5.5           | HF50032     | £1,121.77   | € 1,514.40 |

**STEP 1**  
CONTINUED

| FLOW | MAX PRESS BAR | MOTOR KW SIZE | PART NUMBER | NETT. PRICE |            |
|------|---------------|---------------|-------------|-------------|------------|
|      |               |               |             | £ STERLING  | € EUROS    |
| 37.2 | 105           | 7.5           | HF50033     | £1,171.67   | € 1,581.76 |
| 37.2 | 155           | 11            | HF50034     | £1,415.76   | € 1,911.29 |
| 37.2 | 210           | 15            | HF50035     | £1,493.88   | € 2,016.73 |
| 37.2 | 250           | 18.5          | HF50036     | £1,747.74   | € 2,359.45 |
| 44.6 | 45            | 4             | HF50037     | £1,493.88   | € 2,016.73 |
| 44.6 | 65            | 5.5           | HF50038     | £1,632.74   | € 2,204.20 |
| 44.6 | 85            | 7.5           | HF50039     | £1,683.73   | € 2,273.03 |
| 44.6 | 125           | 11            | HF50040     | £1,969.68   | € 2,659.07 |
| 53   | 40            | 4             | HF50041     | £1,493.88   | € 2,016.73 |
| 53   | 55            | 5.5           | HF50042     | £1,632.74   | € 2,204.20 |
| 53   | 75            | 7.5           | HF50043     | £1,683.73   | € 2,273.03 |
| 53   | 110           | 11            | HF50044     | £1,969.98   | € 2,659.48 |
| 53   | 150           | 15            | HF50045     | £2,052.59   | € 2,771.01 |
| 53   | 180           | 18.5          | HF50046     | £2,295.60   | € 3,099.06 |
| 64.8 | 40            | 5.5           | HF50047     | £1,632.74   | € 2,204.20 |
| 64.8 | 55            | 7.5           | HF50048     | £1,683.73   | € 2,273.03 |
| 64.8 | 80            | 11            | HF50049     | £1,970.15   | € 2,659.69 |
| 64.8 | 110           | 15            | HF50050     | £2,052.59   | € 2,771.01 |
| 64.8 | 140           | 18.5          | HF50051     | £2,295.60   | € 3,099.06 |
| 76.3 | 30            | 5.5           | HF50052     | £1,632.74   | € 2,204.20 |
| 76.3 | 45            | 7.5           | HF50053     | £1,629.50   | € 2,199.83 |
| 76.3 | 65            | 11            | HF50054     | £1,970.15   | € 2,659.69 |
| 76.3 | 100           | 15            | HF50055     | £2,052.59   | € 2,771.01 |
| 76.3 | 120           | 18.5          | HF50056     | £2,295.60   | € 3,099.06 |
| 90.7 | 40            | 7.5           | HF50057     | £1,629.50   | € 2,199.83 |
| 90.7 | 60            | 11            | HF50058     | £1,969.68   | € 2,659.07 |
| 90.7 | 80            | 15            | HF50059     | £2,052.59   | € 2,771.01 |
| 90.7 | 100           | 18.5          | HF50060     | £2,295.60   | € 3,099.06 |
| 108  | 35            | 7.5           | HF50061     | £1,629.50   | € 2,199.83 |
| 108  | 50            | 11            | HF50062     | £1,969.68   | € 2,659.07 |
| 108  | 70            | 15            | HF50063     | £2,052.59   | € 2,771.01 |
| 108  | 85            | 18.5          | HF50064     | £2,295.60   | € 3,099.06 |
| 133  | 40            | 11            | HF50065     | £1,969.68   | € 2,659.07 |
| 133  | 55            | 15            | HF50066     | £2,052.59   | € 2,771.01 |
| 133  | 70            | 18.5          | HF50067     | £2,295.60   | € 3,099.06 |



**STEP 2**  
SELECT TANK  
EG:J  
£530.11

| HYDRAULIC TANKS     | COSTING CODE | PART NO | NETT. PRICE |            |
|---------------------|--------------|---------|-------------|------------|
|                     |              |         | £ STERLING  | € EUROS    |
| 30 LITRES CAPACITY  | A            | HF30    | £148.73     | € 200.78   |
| 55 LITRES CAPACITY  | B            | HF55    | £198.23     | € 267.61   |
| 72 LITRES CAPACITY  | C            | HF75    | £227.49     | € 307.11   |
| 98 LITRES CAPACITY  | D            | HF100   | £274.83     | € 371.01   |
| 160 LITRES CAPACITY | E            | HF180   | £368.36     | € 497.28   |
| 200 LITRES CAPACITY | F            | HFSS200 | £507.58     | € 685.23   |
| 250 LITRES CAPACITY | G            | HFSS250 | £690.28     | € 931.88   |
| 300 LITRES CAPACITY | H            | HFSS300 | £824.33     | € 1,112.84 |
| 400 LITRES CAPACITY | J            | HFSS400 | £530.11     | € 715.64   |
| 630 LITRES CAPACITY | K            | HFSS630 | £1,626.16   | € 2,195.32 |
| 800 LITRES CAPACITY | L            | HFSS800 | £1,816.60   | € 2,452.41 |

FITTED WITH FILTREC LEVEL INDICATOR.

**USE TECH. DATA SHEET PU8 FOR PRODUCTS ON THIS PAGE**





**STEP 3**  
SELECT MANIFOLD  
EG: XXX  
£0.00

| CETOP 3 MANIFOLDS          | COSTING CODE | PART NO        | NETT. PRICE |          |
|----------------------------|--------------|----------------|-------------|----------|
|                            |              |                | £ STERLING  | € EUROS  |
| CETOP 3 1STN M/FOLD        | 31           | MD-03P-1-G     | £23.37      | € 31.55  |
| CETOP 3 2STN M/FOLD        | 32           | MD-03P-2-G     | £42.84      | € 57.83  |
| CETOP 3 3STN M/FOLD        | 33           | MD-03P-3-G     | £62.96      | € 85.01  |
| CETOP 3 4STN M/FOLD        | 34           | MD-03P-4-G     | £85.68      | € 115.67 |
| CETOP 3 5STN M/FOLD        | 35           | MD-03P-5-G     | £109.06     | € 147.23 |
| CETOP 3 1STN M/FOLD C/W RV | 31R          | MD-03P-1-G-M26 | £59.95      | € 80.94  |
| CETOP 3 2STN M/FOLD C/W RV | 32R          | MD-03P-2-G-M26 | £75.62      | € 102.09 |
| CETOP 3 3STN M/FOLD C/W RV | 33R          | MD-03P-3-G-M26 | £102.08     | € 137.81 |
| CETOP 3 4STN M/FOLD C/W RV | 34R          | MD-03P-4-G-M26 | £129.14     | € 174.33 |
| CETOP 3 5STN M/FOLD C/W RV | 35R          | MD-03P-5-G-M26 | £158.90     | € 214.52 |
| NO MANIFOLD NEEDED         | XXX          |                | £0.00       | € 0.00   |
| 06 RV CARTRIDGE            |              | VC0800/120     | £21.06      | € 28.43  |



**STEP 4**  
SELECT CETOP 3 VALVES  
EG: XXX  
£0.00

| CETOP 3 VALVES      | COSTING CODE | PART NO | NETT. PRICE |         |
|---------------------|--------------|---------|-------------|---------|
|                     |              |         | £ STERLING  | € EUROS |
| NG 6 D/ACTING VALVE |              | NG6D    | £49.23      | € 66.45 |
| NG 6 S/ACTING VALVE |              | NG6S    | £36.60      | € 49.42 |
| NO VALVES NEEDED    |              | XXX     | £0.00       | € 0.00  |



**STEP 5**  
SELECT CETOP 5 MANIFOLD  
EG: 51  
£42.84

| CETOP 5 MANIFOLDS          | COSTING CODE | PART NO        | NETT. PRICE |          |
|----------------------------|--------------|----------------|-------------|----------|
|                            |              |                | £ STERLING  | € EUROS  |
| CETOP 5 1STN M/FOLD        | 51           | MD-05P-1-G     | £42.84      | € 57.83  |
| CETOP 5 2STN M/FOLD        | 52           | MD-05P-2-G     | £85.68      | € 115.67 |
| CETOP 5 3STN M/FOLD        | 53           | MD-05P-3-G     | £132.42     | € 178.76 |
| CETOP 5 4STN M/FOLD        | 54           | MD-05P-4-G     | £177.21     | € 239.23 |
| CETOP 5 5STN M/FOLD        | 55           | MD-05P-5-G     | £221.99     | € 299.69 |
| CETOP 5 1STN M/FOLD C/W RV | 51R          | MD-05P-1-G-M32 | £79.34      | € 107.10 |
| CETOP 5 2STN M/FOLD C/W RV | 52R          | MD-05P-2-G-M32 | £106.79     | € 144.17 |
| CETOP 5 3STN M/FOLD C/W RV | 53R          | MD-05P-3-G-M32 | £151.62     | € 204.69 |
| CETOP 5 4STN M/FOLD C/W RV | 54R          | MD-05P-4-G-M32 | £197.46     | € 266.57 |
| CETOP 5 5STN M/FOLD C/W RV | 55R          | MD-05P-5-G-M32 | £244.30     | € 329.80 |
| NO MANIFOLD NEEDED         | XXX          |                | £0.00       | € 0.00   |
| 10 RV CARTRIDGE            |              | VC1200/400     | £39.24      | € 52.97  |



**STEP 6**  
SELECT CETOP 5 VALVES  
EG: NG10D  
£90.88

| CETOP 5 VALVES       | COSTING CODE | PART NO | NETT. PRICE |          |
|----------------------|--------------|---------|-------------|----------|
|                      |              |         | £ STERLING  | € EUROS  |
| NG 10 D/ACTING VALVE |              | NG10D   | £90.88      | € 122.69 |
| NG 10 S/ACTING VALVE |              | ND10S   | £59.32      | € 80.08  |
| NO VALVES NEEDED     |              | XXX     | £0.00       | € 0.00   |

**USE TECH. DATA SHEET PU8 FOR PRODUCTS ON THIS PAGE**



**STEP 7**  
SELECT CETOP 7 MANIFOLD  
EG: XXX  
£0.00

| CETOP 7 MANIFOLDS   | COSTING CODE | PART NO  | NETT. PRICE |            |
|---------------------|--------------|----------|-------------|------------|
|                     |              |          | £ STERLING  | € EUROS    |
| CETOP 7 1STN M/FOLD | 71           | 705161/1 | £653.30     | € 881.96   |
| CETOP 7 2STN M/FOLD | 72           | 705161/2 | £1,078.01   | € 1,455.32 |
| CETOP 7 3STN M/FOLD | 73           | 705161/3 | £1,598.86   | € 2,158.47 |
| NO MANIFOLD NEEDED  | XXX          |          | £0.00       | € 0.00     |



**STEP 8**  
SELECT CETOP 7 VALVE  
EG: XXX  
£0.00

| CETOP 7 VALVE<br>PART NO REF HF50065/67 | COSTING CODE | NETT. PRICE |          |
|---|--------------|-------------|----------|
|   |              | £ STERLING  | € EUROS  |
| NG 16 D/ACTING C/W NG6 PILOT VALVE      | NG16D        | £303.77     | € 410.10 |
| NG 16 S/ACTING C/W NG6 PILOT VALVE      | ND16S        | £274.48     | € 370.56 |
| NO VALVES NEEDED                        | XXX          | £0.00       | € 0.00   |



**STEP 9**  
SELECT DIRECTIONAL CONTROL VALVE  
EG: XXX  
£0.00

| 45LTR DIRECTIONAL CONTROL VALVE<br>PART NO REF HF50010/40<br>HDM11P/HDM11S | COSTING CODE | PART NO  | NETT. PRICE |          |
|--|--------------|----------|-------------|----------|
|  |              |          | £ STERLING  | € EUROS  |
| 3/8" 2 BANK D/ACTING S/RETURN VALVE  | P2           | HDM11P/2 | £106.34     | € 143.55 |
| 3/8" 3 BANK D/ACTING S/RETURN VALVE  | P3           | HDM11P/3 | £149.95     | € 202.44 |
| 3/8" 4 BANK D/ACTING S/RETURN VALVE  | P4           | HDM11P/4 | £181.29     | € 244.75 |
| 3/8" 5 BANK D/ACTING S/RETURN VALVE  | P5           | HDM11P/5 | £216.75     | € 292.60 |
| 3/8" 6 BANK D/ACTING S/RETURN VALVE  | P6           | HDM11P/6 | £245.37     | € 331.24 |
| 1/2" 1 BANK D/ACTING S/RETURN VALVE  | S1           | HDM11S/1 | £85.88      | € 115.94 |
| 1/2" 2 BANK D/ACTING S/RETURN VALVE  | S2           | HDM11S/2 | £132.22     | € 178.50 |
| 1/2" 3 BANK D/ACTING S/RETURN VALVE  | S3           | HDM11S/3 | £171.75     | € 231.87 |
| 1/2" 4 BANK D/ACTING S/RETURN VALVE  | S4           | HDM11S/4 | £211.29     | € 285.24 |
| 1/2" 5 BANK D/ACTING S/RETURN VALVE  | S5           | HDM11S/5 | £256.26     | € 345.96 |
| 1/2" 6 BANK D/ACTING S/RETURN VALVE  | S6           | HDM11S/6 | £271.26     | € 366.21 |
| <b>70LTR DIRECTIONAL CONTROL VALVE</b>                                     |              |          |             |          |
| <b>PART NO REF HF50041/51</b>  |              |          |             |          |
| <b>HDM18</b>   |              |          |             |          |
| 1/2" 1 BANK D/ACTING S/RETURN VALVE  | 181          | HDM18/1  | £122.68     | € 165.62 |
| 1/2" 2 BANK D/ACTING S/RETURN VALVE  | 182          | HDM18/2  | £190.83     | € 257.62 |
| 1/2" 3 BANK D/ACTING S/RETURN VALVE  | 183          | HDM18/3  | £264.62     | € 357.23 |
| 1/2" 4 BANK D/ACTING S/RETURN VALVE  | 184          | HDM18/4  | £324.41     | € 437.96 |
| <b>100LTR DIRECTIONAL CONTROL VALVE</b>                                    |              |          |             |          |
| <b>PART NO REF CONV52/64</b>   |              |          |             |          |
| 3/4" 1 BANK D/ACTING S/RETURN VALVE  | 251          | HDM25/1  | £173.11     | € 233.71 |
| 3/4" 2 BANK D/ACTING S/RETURN VALVE  | 252          | HDM25/2  | £310.79     | € 419.57 |
| NO VALVES NEEDED   | XXX          |          | £0.00       | € 0.00   |

**USE TECH. DATA SHEET PU8 FOR PRODUCTS ON THIS PAGE**

**STEP 10**  
 SELECT FILTRATION  
 EG: XXF  
 £0.00

| FILTRATION                   | COSTING CODE | NETT. PRICE |         |
|------------------------------|--------------|-------------|---------|
|                              |              | £ STERLING  | € EUROS |
| NO EXTRA FILTRATION REQUIRED | XXF          | £0.00       | € 0.00  |

**STEP 11**  
 SELECT CARTRIDGE VALVES  
 EG: XXV  
 £0.00

| EXTRA CARTRIDGE VALVES              | COSTING CODE | NETT. PRICE |         |
|-------------------------------------|--------------|-------------|---------|
|                                     |              | £ STERLING  | € EUROS |
| NO EXTRA CARTRIDGE VALVES REQUIRED. | XXV          | £0.00       | € 0.00  |



**STEP 12**  
 SELECT EXTRAS  
 EG: PG1  
 £21.17

| COSTING CODE | ADD ON EXTRAS                          | NETT. PRICE |         |
|--------------|--|-------------|---------|
|              |  | £ STERLING  | € EUROS |
| PG1          | PRESSURE GAUGE 0-1000PSI PLUS ISOLATOR | £21.17      | € 28.58 |
| PG2          | PRESSURE GAUGE 0-2000PSI PLUS ISOLATOR | £21.17      | € 28.58 |
| PG3          | PRESSURE GAUGE 0-3000PSI PLUS ISOLATOR | £21.17      | € 28.58 |
| PG4          | PRESSURE GAUGE 0-4000PSI PLUS ISOLATOR | £21.17      | € 28.58 |
| PG6          | PRESSURE GAUGE 0-6000PSI PLUS ISOLATOR | £21.17      | € 28.58 |
| XXX          | NOT REQUIRED                           | £0.00       | € 0.00  |
| PLUG         | 13 Amp plug c/w 2 metre cable          | £30.42      | € 41.07 |

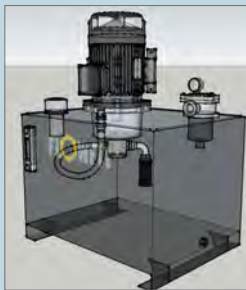
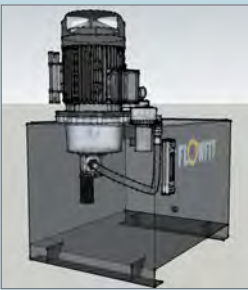
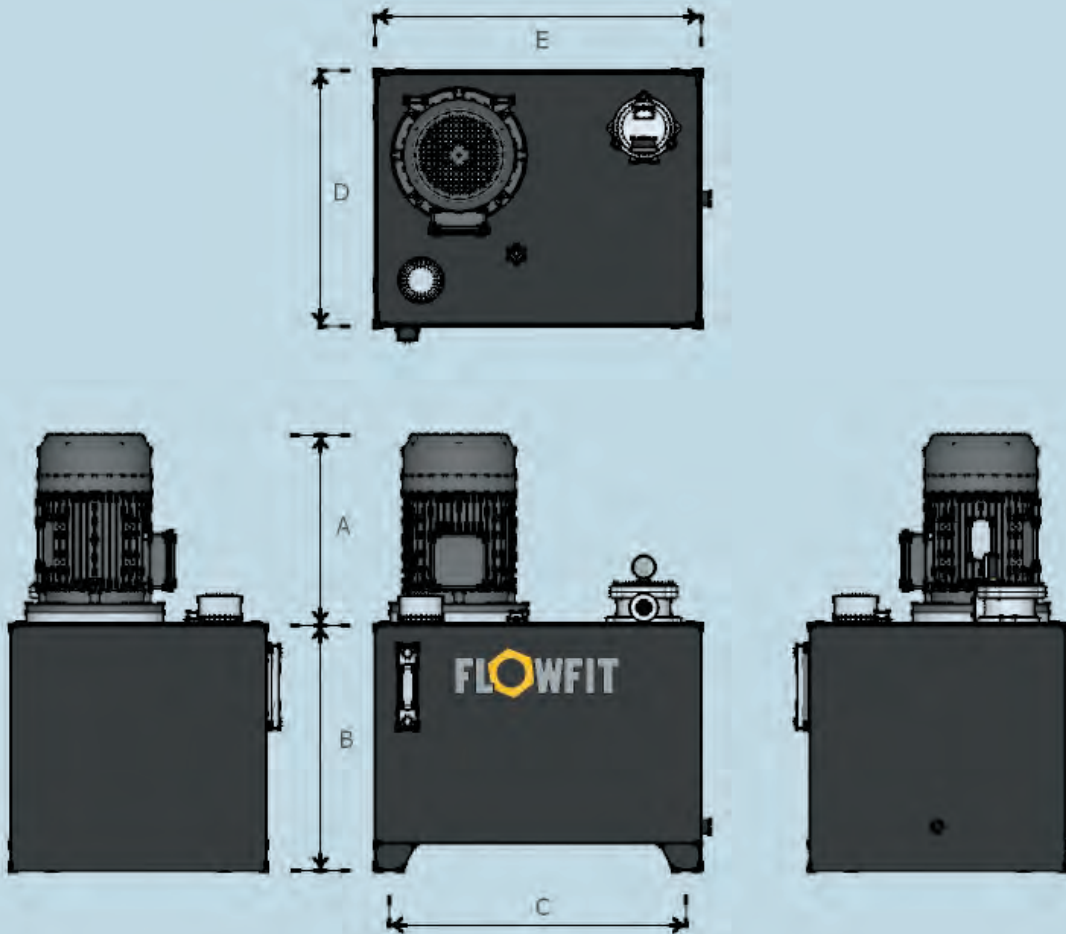
**ALL POWER PACKS ARE FULLY ASSEMBLED AND TESTED. ISSUED WITH 12 MONTHS WARRANTY FROM INVOICE DATE**

**FULL ORDER NUMBER FOR EXAMPLE SHOWN**  
 HF50053-J-XXX-XXX-51-NG10-XXX-XXX-XXX-XXF-XXV-PG1

**USE TECH. DATA SHEET PUB FOR PRODUCTS ON THIS PAGE**

## DETAILS FOR INSTALLATION HF500

HF 500 Dimensions



THREE PHASE ELECTRIC MOTOR DIMENSION

| MOTOR      | FRAME     | A       |
|------------|-----------|---------|
| 2.2-4.0 KW | D100/D112 | 326/335 |
| 5.5-7.5 KW | D132      | 305/420 |
| 11-15 KW   | D160      | 510     |
| 18.5-22 KW | D180      | 590     |
| 30 KW      | D200      | 660     |
| 37-45 KW   | D225      | 705     |
| 55 KW      | D250      | 730     |

RESERVOIR DIMENSIONS

| TANK CAPACITY | B   | C    | D   | E    |
|---------------|-----|------|-----|------|
| 39 Litre      | 335 | 428  | 375 | 470  |
| 58 Litre      | 365 | 548  | 470 | 600  |
| 75 Litre      | 455 | 548  | 470 | 600  |
| 100 Litre     | 505 | 625  | 520 | 675  |
| 165 Litre     | 555 | 755  | 620 | 805  |
| 200 Litre     | 560 | 820  | 640 | 900  |
| 250 Litre     | 580 | 930  | 690 | 1010 |
| 300 Litre     | 580 | 1070 | 700 | 1150 |
| 400 Litre     | 580 | 1434 | 735 | 1514 |
| 630 Litre     | 770 | 1434 | 945 | 1514 |

SINGLE PHASE ELECTRIC MOTOR DIMENSION

| MOTOR | FRAME | A   |
|-------|-------|-----|
| 2.2   | D100  | 320 |
| 3 KW  | D112  | 340 |

## HF600 350 BAR VARIABLE FLOW HIGH PRESSURE POWER PACKS

The HF600 series of standard power packs is based on a range of 3phase motors from 7.5kw to 22kw. Supplied fully assembled and tested. These units offer pressures up to 350 bar and flows up to 34.5 l/min, higher flow rates upon request. All components in stock ready to assemble.

THE HF600 BASIC POWERUNIT STEP 1 CONSISTS OF:

- ELECTRIC MOTOR 415V 50HZ 3PH 4PL
- KOMPASS VARIABLE DISPLACEMENT PRESSURE COMPENSATED PISTON PUMP
- FLOWFIT BELL HOUSING AND DRIVE COUPLING
- IKRON TANK TOP RETURN LINE FILTER 10 MICRON C/W VISUAL INDICATOR
- IKRON FILLER BREATHER AND IKRON SUCTION STRAINER 125 MICRON

**TO GENERATE YOUR FULL ORDER NUMBER  
SELECT THE COSTING CODE OR EACH  
COMPONENT**



### EXAMPLE

**STEP 1**  
SELECT FLOW  
EG: HF6001  
£3,037.68

[www.flowfitonline.com](http://www.flowfitonline.com)  
TECH. DATA SHEET  
**PU9**

| FLOW (VARIABLE DISPLACEMENT PRESSURE COMPENSATED PISTON PUMP) | COSTING CODE | MAX PRESS BAR | MOTOR KW SIZE | NETT. PRICE |            |
|---|--------------|---------------|---------------|-------------|------------|
|   |              |               |               | £ STERLING  | € EUROS    |
| 24 L/MIN  | HF6001       | 140           | 7.5           | £3,037.68   | € 4,100.87 |
| 24 L/MIN  | HF6002       | 250           | 11            | £3,352.28   | € 4,525.57 |
| 24 L/MIN  | HF6003       | 350           | 15KW          | £3,444.50   | € 4,650.08 |
| 30 L/MIN  | HF6004       | 140           | 11KW          | £3,384.84   | € 4,569.53 |
| 30 L/MIN  | HF6005       | 250           | 15.KW         | £3,477.05   | € 4,694.01 |
| 30 L/MIN  | HF6006       | 350           | 22KW          | £3,824.22   | € 5,162.68 |
| 34.5 L/MIN  | HF6007       | 140           | 11KW          | £3,384.84   | € 4,569.53 |
| 34.5 L/MIN  | HF6008       | 250           | 15KW          | £3,477.05   | € 4,694.01 |
| 34.5 L/MIN  | HF6009       | 350           | 22KW          | £3,824.22   | € 5,162.68 |



**STEP 2**  
SELECT TANK  
EG: D  
£274.83

| HYDRAULIC TANKS     | COSTING CODE | PART NO | NETT. PRICE |          |
|---------------------|--------------|---------|-------------|----------|
|                     |              |         | £ STERLING  | € EUROS  |
| 58 LITRES CAPACITY  | B            | HF55    | £198.23     | € 267.61 |
| 75 LITRES CAPACITY  | C            | HF75    | £227.49     | € 307.11 |
| 100 LITRES CAPACITY | D            | HF100   | £274.83     | € 371.01 |
| 165 LITRES CAPACITY | E            | HF180   | £368.36     | € 497.28 |
| 200 LITRES CAPACITY | F            | HFSS200 | £507.58     | € 685.23 |

FITTED WITH FILTREC LEVEL INDICATOR.



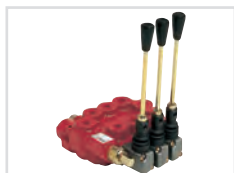
**STEP 3**  
SELECT MANIFOLD  
EG: 32  
£42.84

| CETOP 3 M/FOLD PART NO REF | COSTING CODE | PART NO        | NETT. PRICE |          |
|----------------------------|--------------|----------------|-------------|----------|
|                            |              |                | £ STERLING  | € EUROS  |
| CETOP 3 1STN M/FOLD        | 31           | MD-03P-1-G     | £23.37      | € 31.55  |
| CETOP 3 2STN M/FOLD        | 32           | MD-03P-2-G     | £42.84      | € 57.83  |
| CETOP 3 3STN M/FOLD        | 33           | MD-03P-3-G     | £62.96      | € 85.01  |
| CETOP 3 4STN M/FOLD        | 34           | MD-03P-4-G     | £85.68      | € 115.67 |
| CETOP 3 5STN M/FOLD        | 35           | MD-03P-5-G     | £109.00     | € 147.16 |
| CETOP 3 1STN M/FOLD C/W RV | 31R          | MD-03P-1-G-M26 | £59.96      | € 80.95  |
| CETOP 3 2STN M/FOLD C/W RV | 32R          | MD-03P-2-G-M26 | £75.62      | € 102.09 |
| CETOP 3 3STN M/FOLD C/W RV | 33R          | MD-03P-3-G-M26 | £102.08     | € 137.81 |
| CETOP 3 4STN M/FOLD C/W RV | 34R          | MD-03P-4-G-M26 | £129.14     | € 174.33 |
| CETOP 3 5STN M/FOLD C/W RV | 35R          | MD-03P-5-G-M26 | £158.90     | € 214.52 |
| NO MANIFOLD NEEDED         | XXX          |                | £0.00       | € 0.00   |
| RV CARTRIDGE               | RV           | VC0800/120     | £21.06      | € 28.43  |



**STEP 4**  
SELECT VALVES  
EG: NG6S + NG6D  
£36.60 + £49.23

| CETOP 3 VALVES<br>315 BAR MAX PRESSURE | COSTING CODE | NETT. PRICE |         |
|--|--------------|-------------|---------|
|  |              | £ STERLING  | € EUROS |
| NG 6 D/ACTING VALVE                    | NG6D         | £49.23      | € 66.45 |
| NG 6 S/ACTING VALVE                    | NG6S         | £36.60      | € 49.42 |
| NO VALVES NEEDED                       | XXX          | £0.00       | € 0.00  |



**STEP 5**  
SELECT DIRECTIONAL CONTROL VALVE  
EG: XXX  
£0.00

| 45LTR DIRECTIONAL CONTROL VALVE<br>400 BAR MAX PRESSURE<br>HDM11P/HDM11S | COSTING CODE | PART NO  | NETT. PRICE |          |
|--|--------------|----------|-------------|----------|
|  |              |          | £ STERLING  | € EUROS  |
| 3/8" 1 BANK D/ACTING S/RETURN VALVE                                      | P1           | HDM140/1 | £45.42      | € 61.33  |
| 3/8" 2 BANK D/ACTING S/RETURN VALVE                                      | P2           | HDM11P/2 | £106.34     | € 143.55 |
| 3/8" 3 BANK D/ACTING S/RETURN VALVE                                      | P3           | HDM11P/3 | £149.95     | € 202.44 |
| 3/8" 4 BANK D/ACTING S/RETURN VALVE                                      | P4           | HDM11P/4 | £181.29     | € 244.75 |
| 3/8" 5 BANK D/ACTING S/RETURN VALVE                                      | P5           | HDM11P/5 | £216.75     | € 292.60 |
| 3/8" 6 BANK D/ACTING S/RETURN VALVE                                      | P6           | HDM11P/6 | £245.37     | € 331.24 |
| 1/2" 1 BANK D/ACTING S/RETURN VALVE                                      | S1           | HDM11S/1 | £85.88      | € 115.94 |
| 1/2" 2 BANK D/ACTING S/RETURN VALVE                                      | S2           | HDM11S/2 | £132.22     | € 178.50 |
| 1/2" 3 BANK D/ACTING S/RETURN VALVE                                      | S3           | HDM11S/3 | £171.75     | € 231.87 |
| 1/2" 4 BANK D/ACTING S/RETURN VALVE                                      | S4           | HDM11S/4 | £211.29     | € 285.24 |
| 1/2" 5 BANK D/ACTING S/RETURN VALVE                                      | S5           | HDM11S/5 | £256.26     | € 345.96 |
| 1/2" 6 BANK D/ACTING S/RETURN VALVE                                      | S6           | HDM11S/6 | £271.26     | € 366.21 |
| NO VALVES NEEDED   | XXX          |          | £0.00       | € 0.00   |



**STEP 12**  
SELECT EXTRAS  
EG:XXX  
£0.00

| ADD ON EXTRAS                           | COSTING CODE | NETT. PRICE |         |
|---|--------------|-------------|---------|
|   |              | £ STERLING  | € EUROS |
| PRESSURE GAUGE 0-1000PSI PLUS ISOLATOR  | PG1          | £21.17      | € 28.58 |
| PRESSURE GAUGE 0-2000PSI PLUS ISOLATOR  | PG2          | £21.17      | € 28.58 |
| PRESSURE GAUGE 0-3000PSI PLUS ISOLATOR  | PG3          | £21.17      | € 28.58 |
| PRESSURE GAUGE 0-4000PSI PLUS ISOLATOR  | PG4          | £21.17      | € 28.58 |
| PRESSURE GAUGE 0-6000PSI PLUS ISOLATOR  | PG6          | £21.17      | € 28.58 |
| PRESSURE GAUGE 0-10000PSI PLUS ISOLATOR | PG7          | £21.17      | € 28.58 |
| NOT REQUIRED                            | XXX          | £0.00       | € 0.00  |

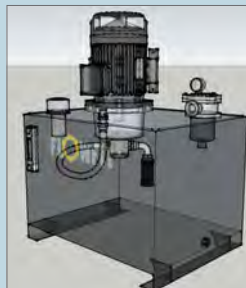
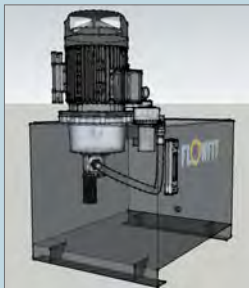
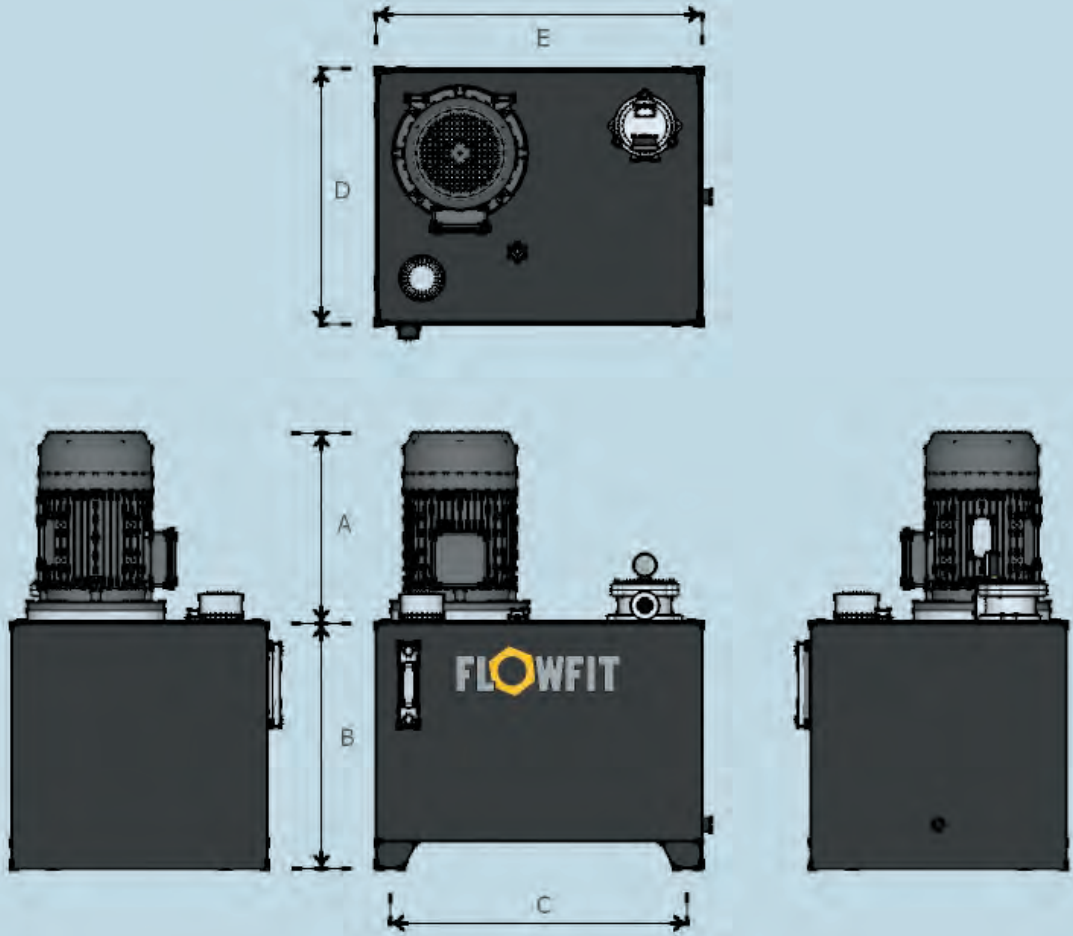
ALL POWER PACKS ARE FULLY ASSEMBLED AND TESTED. ISSUED WITH 12 MONTHS WARRANTY FROM INVOICE DATE

**USE TECH. DATA SHEET PU9 FOR PRODUCTS ON THIS PAGE**

**FULL ORDER NUMBER FOR EXAMPLE SHOWN**  
HF6001 D 32  
NG6S NG6D XXX XXX

## DETAILS FOR INSTALLATION HF600

HF 500 Dimensions



**THREE PHASE ELECTRIC MOTOR DIMENSION**

| MOTOR      | FRAME     | A       |
|------------|-----------|---------|
| 2.2-4.0 KW | D100/D112 | 326/335 |
| 5.5-7.5 KW | D132      | 305/420 |
| 11-15 KW   | D160      | 510     |
| 18.5-22 KW | D180      | 590     |
| 30 KW      | D200      | 660     |
| 37-45 KW   | D225      | 705     |
| 55 KW      | D250      | 730     |

**TANK DIMENSIONS**

| TANK CAPACITY | B   | C    | D   | E    |
|---------------|-----|------|-----|------|
| 39 Litre      | 335 | 428  | 375 | 470  |
| 58 Litre      | 365 | 548  | 470 | 600  |
| 75 Litre      | 455 | 548  | 470 | 600  |
| 100 Litre     | 505 | 625  | 520 | 675  |
| 165 Litre     | 555 | 755  | 620 | 805  |
| 200 Litre     | 560 | 820  | 640 | 900  |
| 250 Litre     | 580 | 930  | 690 | 1010 |
| 300 Litre     | 580 | 1070 | 700 | 1150 |
| 400 Litre     | 580 | 1434 | 735 | 1514 |
| 630 Litre     | 770 | 1434 | 945 | 1514 |

**SINGLE PHASE ELECTRIC MOTOR DIMENSION**

| MOTOR | FRAME | A   |
|-------|-------|-----|
| 2.2   | D100  | 320 |
| 3 KW  | D112  | 340 |

## UP50 MINI-FLOW HYDRAULIC POWER PACK

The UP50 series of standard power packs is based on a range of 12vdc, 24vdc, 48vdc, 240v 1 phase and 415v 3 phase motors from 0.12kw to 2.2kw.

Supplied fully assembled and tested, these units offer pressures up to 230 bar and flows up to 4.75lpm. All components in stock ready to assemble for immediate delivery.

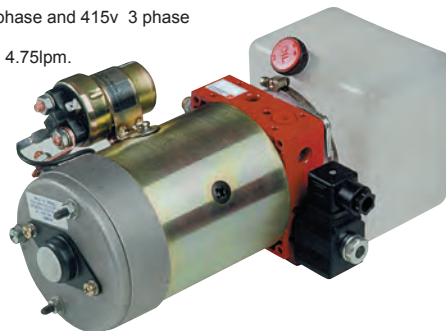
Mini hydraulic powerunits offering mini flows suitable for single acting, double acting, and fully reversible circuits.

Pumps: 0.25cc/rev-2.3cc/rev  
Flows: from 0.25 litre up to 4.75 l/min  
Working pressures: up to 230 bar.  
Tanks: 0.5litre up to 4 litre.

Electric motors  
12vdc: 350w-2000w  
24vdc: 400w-2500w  
48vdc: 2000w  
220/240v/ac: 120w-750w  
415v: 120w-750w  
110V: 120w-750w

All UP50 assembled powerunits come complete as standard with the following components.

- Electric motor DC/AC
- Bucher gear pump.
- Bucher central housing
- Main relief valve
- Check valve
- Drive coupling
- Motor flange
- Suction Filter 216 micron
- Return filter conveyor 150 micron



### EXAMPLE

**STEP 1**  
SELECT FLOW  
EG: UP50/44  
£273.38

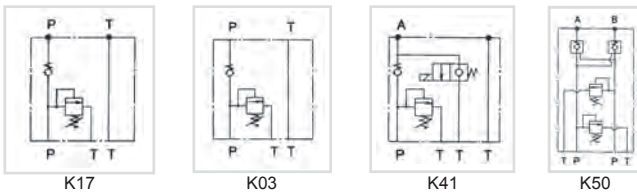
[www.flowfitonline.com](http://www.flowfitonline.com)  
TECH. DATA SHEET  
**PU10**

**TO GENERATE YOUR FULL ORDER NUMBER SELECT THE COSTING CODE OR EACH COMPONENT**

| COSTING CODE       | FLOW L/MIN | MAX PRESS BAR | MOTOR SIZE KW | MOTOR TYPE | NETT. PRICE |          |
|--------------------|------------|---------------|---------------|------------|-------------|----------|
|                    |            |               |               |            | £ STERLING  | € EUROS  |
| <b>12VDC MOTOR</b> |            |               |               |            |             |          |
| UP50/1             | 0.75       | 200           | 350w          | 12vdc      | £406.83     | € 549.21 |
| UP50/2             | 1.3        | 200           | 350w          | 12vdc      | £406.83     | € 549.21 |
| UP50/3             | 1.5        | 200           | 350w          | 12vdc      | £406.83     | € 549.21 |
| UP50/4             | 2          | 150           | 350w          | 12vdc      | £406.83     | € 549.21 |
| UP50/5             | 2.5        | 125           | 350w          | 12vdc      | £406.83     | € 549.21 |
| UP50/6             | 3.7        | 75            | 350w          | 12vdc      | £406.83     | € 549.21 |
| <b>12VDC MOTOR</b> |            |               |               |            |             |          |
| UP50/7             | 1.2        | 200           | 800w          | 12vdc      | £406.83     | € 549.21 |
| UP50/8             | 2.2        | 200           | 800w          | 12vdc      | £406.83     | € 549.21 |
| UP50/9             | 2.6        | 200           | 800w          | 12vdc      | £406.83     | € 549.21 |
| UP50/10            | 2.8        | 200           | 800w          | 12vdc      | £406.83     | € 549.21 |
| UP50/11            | 3          | 200           | 800w          | 12vdc      | £406.83     | € 549.21 |
| UP50/12            | 3.5        | 160           | 800w          | 12vdc      | £406.83     | € 549.21 |
| <b>12VDC MOTOR</b> |            |               |               |            |             |          |
| UP50/13            | 1.2        | 200           | 2000w         | 12vdc      | £406.83     | € 549.21 |
| UP50/14            | 2          | 200           | 2000w         | 12vdc      | £406.83     | € 549.21 |
| UP50/15            | 2.5        | 200           | 2000w         | 12vdc      | £406.83     | € 549.21 |
| UP50/16            | 3          | 200           | 2000w         | 12vdc      | £406.83     | € 549.21 |
| UP50/17            | 3.75       | 200           | 2000w         | 12vdc      | £406.83     | € 549.21 |
| UP50/18            | 4.75       | 175           | 2000w         | 12vdc      | £406.83     | € 549.21 |
| <b>24VDC MOTOR</b> |            |               |               |            |             |          |
| UP50/19            | 1          | 200           | 400w          | 24vdc      | £406.83     | € 549.21 |
| UP50/20            | 1.25       | 200           | 400w          | 24vdc      | £406.83     | € 549.21 |
| UP50/21            | 1.6        | 175           | 400w          | 24vdc      | £406.83     | € 549.21 |
| UP50/22            | 2.2        | 150           | 400w          | 24vdc      | £406.83     | € 549.21 |
| UP50/23            | 3          | 125           | 400w          | 24vdc      | £406.83     | € 549.21 |
| UP50/24            | 4.4        | 75            | 400w          | 24vdc      | £406.83     | € 549.21 |
| <b>24VDC MOTOR</b> |            |               |               |            |             |          |
| UP50/28            | 2.75       | 175           | 900w          | 24vdc      | £488.20     | € 659.07 |
| UP50/29            | 3          | 175           | 900w          | 24vdc      | £488.20     | € 659.07 |
| <b>24VDC MOTOR</b> |            |               |               |            |             |          |
| UP50/31            | 1          | 200           | 2200w         | 24vdc      | £514.22     | € 694.20 |
| UP50/32            | 1.75       | 200           | 2200w         | 24vdc      | £514.22     | € 694.20 |
| UP50/33            | 2.25       | 200           | 2200w         | 24vdc      | £514.22     | € 694.20 |
| UP50/34            | 2.75       | 200           | 2200w         | 24vdc      | £514.22     | € 694.20 |
| UP50/35            | 3.5        | 200           | 2200w         | 24vdc      | £514.22     | € 694.20 |
| UP50/36            | 4.4        | 200           | 2200w         | 24vdc      | £514.22     | € 694.20 |



| COSTING CODE                    | FLOW L/MIN | MAX PRESS BAR | MOTOR SIZE KW | MOTOR TYPE | NETT. PRICE               |                  |
|---------------------------------|------------|---------------|---------------|------------|---------------------------|------------------|
|                                 |            |               |               |            | £ STERLING                | € EUROS          |
| <b>240VAC UNIT 4 POLE MOTOR</b> |            |               |               |            |                           |                  |
| UP50/37                         | 0.37       | 165           | 120w          | 240vac     | £265.80                   | € 358.83         |
| UP50/38                         | 0.75       | 120           | 180w          | 240vac     | £265.80                   | € 358.83         |
| UP50/39                         | 1.12       | 110           | 250w          | 240vac     | £265.80                   | € 358.83         |
| UP50/40                         | 1.35       | 140           | 370w          | 240vac     | £276.64                   | € 373.46         |
| UP50/41                         | 1.35       | 210           | 750w          | 240vac     | £322.22                   | € 434.99         |
| UP50/42                         | 2.4        | 115           | 550w          | 240vac     | £311.35                   | € 420.33         |
| UP50/43                         | 3.45       | 110           | 750w          | 240vac     | £322.22                   | € 434.99         |
| <b>415VAC UNIT 4 POLE MOTOR</b> |            |               |               |            |                           |                  |
| UP50/44                         | 0.37       | 165           | 120w          | 415vac     | £273.38                   | € 369.07         |
| UP50/45                         | 0.75       | 120           | 180w          | 415vac     | £273.38                   | € 369.07         |
| UP50/46                         | 1.12       | 110           | 250w          | 415vac     | £273.38                   | € 369.07         |
| UP50/47                         | 1.35       | 140           | 370w          | 415vac     | £276.64                   | € 373.46         |
| UP50/48                         | 1.35       | 210           | 750W          | 415vac     | £322.22                   | € 434.99         |
| UP50/49                         | 2.4        | 115           | 550w          | 415vac     | £303.77                   | € 410.10         |
| UP50/50                         | 3.45       | 110           | 750w          | 415vac     | £322.22                   | € 434.99         |
| <b>48VDC UNIT</b>               |            |               |               |            |                           |                  |
| 48VDC UNITS                     |            |               |               |            | ADD TO 24VDC PRICES ABOVE | £108.49 € 146.46 |



**STEP 2**  
SELECT CIRCUIT TYPE  
EG: K17  
£0.00

| COSTING CODE | CIRCUIT TYPES  | NETT. PRICE |          |
|--------------|--|-------------|----------|
|              |  | £ STERLING  | € EUROS  |
| K17          | P AND T threaded ports 1/4"bsp   | £0.00       | € 0.00   |
| K03          | Double acting circuit arranged with subplate for electro valve mounting.(Valves not included.) | £0.00       | € 0.00   |
| K41          | Single acting circuit (Valve not included)   | £0.00       | € 0.00   |
| K50          | Reversible circuit c/w double pilot check valve and dual port relief included.                 | £157.32     | € 212.38 |

**STEP 3**  
SELECT VALVES  
EG: XXX  
£0.00

| MANUAL COSTING CODE | CONTROL VALVES   | NETT. PRICE |          |
|---------------------|--|-------------|----------|
|                     |  | £ STERLING  | € EUROS  |
| ZR817/22TV          | Manual release valve screw in type (K41 only)                    | £93.20      | € 125.82 |
| ZRZ817/22TVMS       | Manual lever control c/w safety lock and microswitch (K41)       | £118.25     | € 159.65 |
| <b>SOLENOID</b>     |  |             |          |
| NOV*****            | Normally open valve for single acting any voltage.(K41 only)     | £116.10     | € 156.73 |
| NCV*****            | Normally closed valve for single acting any voltage.(K41 only)   | £91.13      | € 123.02 |
| 6013SOL             | One double or single electro valve c/w manifold.(K03 only)       | £239.76     | € 323.68 |
| 6023SOL             | Two double and/or single electro valves c/w manifold. (K03 only) | £431.78     | € 582.91 |
| XXX                 | Not required   | £0.00       | € 0.00   |
| <b>EXTRAS</b>       |  |             |          |
| VRC                 | Throttle compensated flow valve (K41 only)                       | £19.08      | € 25.77  |
| SMB                 | Steel mounting bracket for fitting to housing.                   | £10.30      | € 13.92  |
| DCM                 | Plastic motor cover for DC motors.                               | £17.91      | € 24.17  |

\*\*\*\*\*= 12vdc,24vdc,24vac,110vac and 220vac

**USE TECH. DATA SHEET PU10 FOR PRODUCTS ON THIS PAGE**

**STEP 4**  
**SELECT RESERVOIR**  
 4L  
 £37.96

| COSTING CODE | RESERVOIR SIZES                         | NETT. PRICE |         |
|--------------|---|-------------|---------|
|              |   | £ STERLING  | € EUROS |
| XXX          | NO TANK FITTED FLANGE KIT ONLY SUPPLIED | £7.05       | € 9.53  |
| 0.5L         | 0.5 LITRE PLASTIC                       | £20.63      | € 27.84 |
| 1L           | 1 LITRE PLASTIC                         | £23.86      | € 32.21 |
| 1.5L         | 1.5 LITRE PLASTIC                       | £26.04      | € 35.15 |
| 1.6L         | 1.6 LITRE PLASTIC                       | £28.75      | € 38.80 |
| 2.5L         | 2.5 LITRE PLASTIC                       | £33.80      | € 45.64 |
| 4L           | 4 LITRE PLASTIC                         | £37.96      | € 51.26 |

**STEP 4**  
**SELECT ORIENTATION**  
 HOR  
 £0.00

| COSTING CODE | ORIENTATION | NETT. PRICE |         |
|--------------|-------------|-------------|---------|
|              |             | £ STERLING  | € EUROS |
| HOR          | HORIZONTAL  | £0.00       | € 0.00  |
| VER          | VERTICAL    | £0.00       | € 0.00  |

ALL POWER PACKS ARE FULLY ASSEMBLED AND TESTED. ISSUED WITH 12 MONTHS WARRANTY FROM INVOICE DATE

**USE TECH. DATA SHEET PU10 FOR PRODUCTS ON THIS PAGE**

**FULL ORDER NUMBER FOR EXAMPLE SHOWN**  
 UP50/44 K17  
 XXX 4L HOR

## ET-ELECTRIC DC MOTOR PUMP SET

www.flowfitonline.com  
TECH. DATA SHEET  
**PU11**

The ET series of standard motor pump sets is based on a range of 12vdc, 24vdc and 48vdc electric motors.

Supplied fully assembled and tested. These units offer pressures up to 200 bar and flows up to 22.5lpm. All components in stock ready to assemble for immediate delivery.

- Commonly referred to as an 'Emergency' or 'Backup' pump.
- Small electric DC motor pump unit to supply hydraulic power as flow and pressure to hydraulic circuits or as a system back up.
- The electro-motor-pumps are largely used on operating machines such as mobile machines, automotive applications, small truck mounted cranes, electro-hydraulic steering and where through simple valves and hose connections it is possible to operate and control different hydraulic actuators.
- All ET motor pump sets complete with DC Electric motor c/w relay, drive coupling, pump flange and a gear pump c/w bsp threaded ports. Unit supplied with a steel mounting flange.
- Used on applications where control valves are mounted away from the powerpack.
- Can be mounted in any position.
- Also available other pump and motor sizes from 0.8KW( 800w) to 3KW( 3000w). For all other input voltages 12vdc, 24vdc or 48vdc and power ratings, and specific running times please download the ET pdf file or consult our sales department.
- Noise levels have been drastically reduced.
- Please note restricted running times apply check suitable for your application-continuous rated dc motors are available upon request.



| 12VDC FOR INTERMITTENT DUTY CYCLE. |                              | BUCHER CODING | FLOW L/MIN | MAX PRESS BAR | MOTOR SIZE KW | MOTOR TYPE | NETT. PRICE |         |
|------------------------------------|------------------------------|---------------|------------|---------------|---------------|------------|-------------|---------|
| PART NUMBER                        |                              |               |            |               |               |            | £ STERLING  | € EUROS |
| ET/1.2/12VDC                       | T107E/R106/E45/AP100/1.2/319 | 4             | 200        | 1.7           | 12vdc         | £324.39    | € 437.93    |         |
| ET/1.7/12VDC                       | T107E/R106/E45/AP100/1.7/319 | 4.5           | 175        | 1.7           | 12vdc         | £324.39    | € 437.93    |         |
| ET/2.5/12VDC                       | T107E/R106/E45/AP100/2.5/319 | 9             | 150        | 1.7           | 12vdc         | £324.39    | € 437.93    |         |
| ET/3.5/12VDC                       | T107E/R106/E45/AP100/3.5/319 | 9.5           | 100        | 1.7           | 12vdc         | £324.39    | € 437.93    |         |
| ET/4.3/12VDC                       | T107E/R106/E45/AP100/4.3/319 | 12            | 75         | 1.7           | 12vdc         | £324.39    | € 437.93    |         |
| ET/5/12VDC                         | T107E/R106/E45/AP100/5/319   | 13.5          | 75         | 1.7           | 12vdc         | £324.39    | € 437.93    |         |
| ET/6.5/12VDC                       | T107E/R106/E45/AP100/6.5/319 | 17            | 50         | 1.7           | 12vdc         | £324.39    | € 437.93    |         |
| ET/8/12VDC                         | T107E/R106/E45/AP100/8/319   | 22.5          | 25         | 1.7           | 12vdc         | £329.80    | € 445.23    |         |

| 24VDC FOR INTERMITTENT DUTY CYCLE. |                              | BUCHER CODING | FLOW L/MIN | MAX PRESS BAR | MOTOR SIZE KW | MOTOR TYPE | NETT. PRICE |         |
|------------------------------------|------------------------------|---------------|------------|---------------|---------------|------------|-------------|---------|
| PART NUMBER                        |                              |               |            |               |               |            | £ STERLING  | € EUROS |
| ET/1.2/24VDC                       | T109E/R209/E45/AP100/1.2/319 | 4             | 200        | 2.2           | 24vdc         | £425.06    | € 573.83    |         |
| ET/1.7/24VDC                       | T109E/R209/E45/AP100/1.7/319 | 4.5           | 200        | 2.2           | 24vdc         | £425.06    | € 573.83    |         |
| ET/2.5/24VDC                       | T109E/R209/E45/AP100/2.5/319 | 6             | 200        | 2.2           | 24vdc         | £425.06    | € 573.83    |         |
| ET/3.5/24VDC                       | T109E/R209/E45/AP100/3.5/319 | 7             | 175        | 2.2           | 24vdc         | £425.06    | € 573.83    |         |
| ET/4.3/24VDC                       | T109E/R209/E45/AP100/4.3/319 | 8             | 150        | 2.2           | 24vdc         | £425.06    | € 573.83    |         |
| ET/5/24VDC                         | T109E/R209/E45/AP100/5/319   | 9             | 125        | 2.2           | 24vdc         | £425.06    | € 573.83    |         |
| ET/6.5/24VDC                       | T109E/R209/E45/AP100/6.5/319 | 12.5          | 100        | 2.2           | 24vdc         | £425.06    | € 573.83    |         |
| ET/8/24VDC                         | T109E/R209/E45/AP100/8/319   | 16            | 75         | 2.2           | 24vdc         | £425.06    | € 573.83    |         |

All motor pump sets above will deliver more flow at lower pressure.

| 24VDC FOR CONTINUOUS DUTY CYCLE. |                 | BUCHER CODING | FLOW L/MIN | MAX PRESS BAR | MOTOR SIZE KW | MOTOR TYPE | NETT. PRICE |         |
|----------------------------------|-----------------|---------------|------------|---------------|---------------|------------|-------------|---------|
| PART NUMBER                      |                 |               |            |               |               |            | £ STERLING  | € EUROS |
| ET/54/4.5/24VDC                  | ET/54/4.5/24VDC | 8             | 150        | 2.2           | 24vdc         | £1,177.09  | € 1,589.08  |         |
| ET/54/6.5/24VDC                  | ET/54/6.5/24VDC | 12.5          | 100        | 2.2           | 24vdc         | £1,177.09  | € 1,589.08  |         |
| ET/54/8.5/24VDC                  | ET/54/8.5/24VDC | 16            | 75         | 2.2           | 24vdc         | £1,177.09  | € 1,589.08  |         |

| OPTIONAL EXTRAS |  | NETT. PRICE |          |
|-----------------|--|-------------|----------|
|                 |  | £ STERLING  | € EUROS  |
| RV              | Relief valve fitted to the pump.               | £101.98     | € 137.68 |
| SMB             | Steel mounting bracket for fitting to housing. | £10.30      | € 13.92  |
| DCM             | Plastic motor cover for DC motors.             | £17.91      | € 24.17  |

## HF800 HONDA PETROL ENGINE DRIVEN POWER PACKS

POWERED BY  
**HONDA**

The HF700 series of petrol driven power packs is based on a range of Honda petrol engines from 2.6kw – 15.3kw on request.

Supplied fully assembled and tested, These units offer pressures up to 210 bar and flows up to 63 l/min on request.

All components in stock ready to assemble for immediate delivery. Electric start models have a key start.

ALL POWER PACKS ARE FULLY ASSEMBLED AND TESTED ISSUED WITH 12 MONTHS WARRANTY FROM INVOICE DATE

### THE HF800 BASIC PETROL DRIVEN POWER PACKS CONSISTS OF:

- HONDA AIR COOLED 4 STROKE OHV PETROL ENGINE
- GALTECH GEAR PUMP
- FLOWFIT BELL HOUSING AND DRIVE COUPLING
- IKRON TANK TOP RETURN LINE FILTER 10 MICRON C/W VISUAL INDICATOR
- FLOWFIT 45 LITRE RESERVOIR C/W REMOVEABLE LID
- IKRON FILLER BREATHER AND IKRON SUCTION STRAINER 125 MICRON
- FILTREC LEVEL AND TEMP INDICATOR
- PRESSURE GAUGE
- ASSEMBLED, MOUNTED ON A FRAME AND TESTED
- PAINTED BLACK



HONDA GX160



HONDA GX270



HONDA GX390



### EXAMPLE

**STEP 1**  
SELECT ENGINE TYPE  
EG: ZZ001754  
£1,402.64

[www.flowfitonline.com](http://www.flowfitonline.com)  
TECH. DATA SHEET  
**PU12**

TO GENERATE YOUR FULL ORDER NUMBER SELECT THE COSTING CODE OR EACH COMPONENT

| PART NO  | HONDA ENGINE TYPE | KW 3600 RPM | HP 3600 RPM | ENGINE START | PERFORMANCE L/MIN @ PSI | PUMP TYPE | OIL ALERT YES / NO | DIMENSIONS L X W X H (MM) | NETT. PRICE |            |
|----------|-------------------|-------------|-------------|--------------|-------------------------|-----------|--------------------|---------------------------|-------------|------------|
|          |                   |             |             |              |                         |           |                    |                           | £ STERLING  | € EUROS    |
| ZZ001754 | GX160UT1QX4       | 2.6         | 5.5         | PULL         | 10.5 L/MIN @ 3000PSI    | GEAR      | YES                | 1015 x 385 x 600          | £1,402.64   | € 1,893.56 |
| ZZ001758 | GX270UT2QXQ4      | 3.6         | 9.5         | PULL         | 19.5 L/MIN @ 1500PSI    | GEAR      | YES                | 1015 x 385 x 600          | £1,688.89   | € 2,280.01 |
| ZZ001760 | GX390UT2QXQ4      | 5.3         | 13          | PULL         | 24 L/MIN @ 1500PSI      | GEAR      | YES                | 1015 x 385 x 600          | £2,118.28   | € 2,859.68 |



**STEP 2**  
SELECT ADD ON EXTRAS  
EG: PG4  
£21.17

| COSTING CODE | ADD ON EXTRAS                          | NETT. PRICE |         |
|--------------|--|-------------|---------|
|              |  | £ STERLING  | € EUROS |
| PG1          | PRESSURE GAUGE 0-1000PSI PLUS ISOLATOR | £21.17      | € 28.58 |
| PG2          | PRESSURE GAUGE 0-2000PSI PLUS ISOLATOR | £21.17      | € 28.58 |
| PG4          | PRESSURE GAUGE 0-4000PSI PLUS ISOLATOR | £21.17      | € 28.58 |
| PG6          | PRESSURE GAUGE 0-6000PSI PLUS ISOLATOR | £21.17      | € 28.58 |
| XXX          | NOT REQUIRED                           | £0.00       | € 0.00  |



**STEP 3**  
SELECT CETOP 3  
MANIFOLD  
EG: XXX  
£0.00

| CETOP 3 M/FOLD      |     | COSTING CODE | PART NO    | NETT. PRICE |          |
|---------------------|-----|--------------|------------|-------------|----------|
| PART NO             | REF |              |            | £ STERLING  | € EUROS  |
| CETOP 3 1STN M/FOLD |     | 31           | MD-03P-1-G | £23.37      | € 31.55  |
| CETOP 3 2STN M/FOLD |     | 32           | MD-03P-2-G | £42.84      | € 57.83  |
| CETOP 3 3STN M/FOLD |     | 33           | MD-03P-3-G | £62.96      | € 85.01  |
| CETOP 3 4STN M/FOLD |     | 34           | MD-03P-4-G | £85.68      | € 115.67 |
| NO MANIFOLD NEEDED  |     | XXX          |            | £0.00       | € 0.00   |



**STEP 4**  
SELECT CETOP 3  
VALVES  
EG: XXX  
£0.00

| CETOP 3 VALVES       |  | COSTING CODE | NETT. PRICE |         |
|----------------------|--|--------------|-------------|---------|
| 315 BAR MAX PRESSURE |  |              | £ STERLING  | € EUROS |
| NG 6 D/ACTING VALVE  |  | NG6D         | £49.23      | € 66.45 |
| NG 6 S/ACTING VALVE  |  | NG6S         | £36.60      | € 49.42 |
| NO VALVES NEEDED     |  | XXX          | £0.00       | € 0.00  |



**STEP 5**  
SELECT DIRECTIONAL  
CONTROL VALVE  
EG:XXX  
£0.00

| 45LTR DIRECTIONAL CONTROL VALVE     |  | COSTING CODE | PART NO  | NETT. PRICE |          |
|-------------------------------------|--|--------------|----------|-------------|----------|
| 400 BAR MAX PRESSURE                |  |              |          | £ STERLING  | € EUROS  |
| HDM11P/HDM11S                       |  |              |          |             |          |
| 3/8" 1 BANK D/ACTING S/RETURN VALVE |  | P1           | HDM140/1 | £45.42      | € 61.33  |
| 3/8" 2 BANK D/ACTING S/RETURN VALVE |  | P2           | HDM11P/2 | £106.34     | € 143.55 |
| 3/8" 3 BANK D/ACTING S/RETURN VALVE |  | P3           | HDM11P/3 | £149.95     | € 202.44 |
| 3/8" 4 BANK D/ACTING S/RETURN VALVE |  | P4           | HDM11P/4 | £181.29     | € 244.75 |
| 3/8" 5 BANK D/ACTING S/RETURN VALVE |  | P5           | HDM11P/5 | £216.75     | € 292.60 |
| 3/8" 6 BANK D/ACTING S/RETURN VALVE |  | P6           | HDM11P/6 | £245.37     | € 331.24 |
| 1/2" 1 BANK D/ACTING S/RETURN VALVE |  | S1           | HDM11S/1 | £85.88      | € 115.94 |
| 1/2" 2 BANK D/ACTING S/RETURN VALVE |  | S2           | HDM11S/2 | £132.22     | € 178.50 |
| 1/2" 3 BANK D/ACTING S/RETURN VALVE |  | S3           | HDM11S/3 | £171.75     | € 231.87 |
| 1/2" 4 BANK D/ACTING S/RETURN VALVE |  | S4           | HDM11S/4 | £211.29     | € 285.24 |
| 1/2" 5 BANK D/ACTING S/RETURN VALVE |  | S5           | HDM11S/5 | £256.26     | € 345.96 |
| 1/2" 6 BANK D/ACTING S/RETURN VALVE |  | S6           | HDM11S/6 | £271.26     | € 366.21 |
| NO VALVES NEEDED                    |  | XXX          |          | £0.00       | € 0.00   |

ALL POWER PACKS ARE FULLY ASSEMBLED AND TESTED.  
ISSUED WITH 12 MONTHS WARRANTY FROM INVOICE DATE

**USE TECH. DATA SHEET PU12 FOR PRODUCTS ON THIS PAGE**

**FULL ORDER  
NUMBER  
FOR EXAMPLE  
SHOWN**  
HF800-PG4-XXX  
-XXX-XXX

## HF700 PETROL ENGINE DRIVEN POWER PACKS

The HF700 series of petrol driven power packs is based on a range of Loncin petrol engines from 2.6kw – 15.3kw on request.

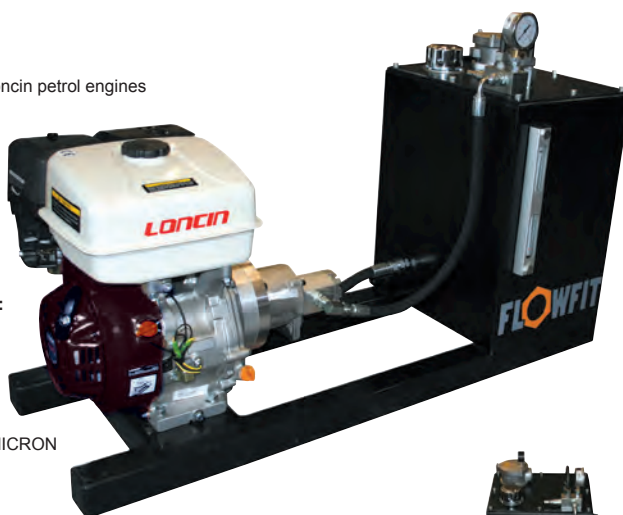
Supplied fully assembled and tested, These units offer pressures up to 210 bar and flows up to 63 l/min on request.

All components in stock ready to assemble for immediate delivery. Electric start models have a key start.

ALL POWER PACKS ARE FULLY ASSEMBLED AND TESTED ISSUED WITH 12 MONTHS WARRANTY FROM INVOICE DATE

### THE HF700 BASIC PETROL DRIVEN POWER PACKS CONSISTS OF:

- LONCIN AIR COOLED 4 STROKE OHV PETROL ENGINE
- GALTECH GEAR PUMP
- FLOWFIT BELL HOUSING AND DRIVE COUPLING
- IKRON TANK TOP RETURN LINE FILTER 10 MICRON C/W VISUAL INDICATOR
- FLOWFIT 45 LITRE RESERVOIR C/W REMOVEABLE LID
- IKRON FILLER BREATHER AND IKRON SUCTION STRAINER 125 MICRON
- FILTREC LEVEL AND TEMP INDICATOR
- PRESSURE GAUGE
- ASSEMBLED, MOUNTED ON A FRAME AND TESTED
- PAINTED BLACK



LONCIN G160FQ



LONCIN G270FQ



LONCIN G390FQ



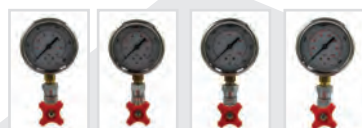
### EXAMPLE

**STEP 1**  
SELECT ENGINE TYPE  
EG: ZZ001362  
£1,277.41

www.flowfitonline.com  
TECH. DATA SHEET  
**PU13**

TO GENERATE YOUR FULL ORDER NUMBER SELECT THE COSTING CODE OR EACH COMPONENT

| PART NO  | LONCIN ENGINE TYPE | KW 3600 RPM | HP 3600 RPM | ENGINE START | PERFORMANCE L/MIN @ PSI | PUMP TYPE | OIL ALERT YES / NO | DIMENSIONS L X W X H (MM) | NETT. PRICE |            |
|----------|--------------------|-------------|-------------|--------------|-------------------------|-----------|--------------------|---------------------------|-------------|------------|
|          |                    |             |             |              |                         |           |                    |                           | £ STERLING  | € EUROS    |
| ZZ001362 | G160FQ             | 4           | 5.5         | PULL         | 10.5 L/MIN @ 3000PSI    | GEAR      | YES                | 1015 x 385 x 600          | £1,277.41   | € 1,724.51 |
| ZZ001758 | G270FQ             | 6.7         | 9.5         | PULL         | 19.5 L/MIN @ 1500PSI    | GEAR      | YES                | 1015 x 385 x 600          | £1,688.89   | € 2,280.01 |
| ZZ001760 | G390FQ             | 9.7         | 13          | PULL         | 24 L/MIN @ 1500PSI      | GEAR      | YES                | 1015 x 385 x 600          | £2,118.28   | € 2,859.68 |



**STEP 2**  
SELECT ADD ON EXTRAS  
EG: PG4  
£21.17

| COSTING CODE | ADD ON EXTRAS                          | NETT. PRICE |         |
|--------------|--|-------------|---------|
|              |  | £ STERLING  | € EUROS |
| PG1          | PRESSURE GAUGE 0-1000PSI PLUS ISOLATOR | £21.17      | € 28.58 |
| PG2          | PRESSURE GAUGE 0-2000PSI PLUS ISOLATOR | £21.17      | € 28.58 |
| PG4          | PRESSURE GAUGE 0-4000PSI PLUS ISOLATOR | £21.17      | € 28.58 |
| PG6          | PRESSURE GAUGE 0-6000PSI PLUS ISOLATOR | £21.17      | € 28.58 |
| XXX          | NOT REQUIRED                           | £0.00       | € 0.00  |



**STEP 3**  
SELECT CETOP 3  
MANIFOLD  
EG: XXX  
£0.00

| CETOP 3 M/FOLD<br>PART NO REF | COSTING CODE | PART NO    | NETT. PRICE |          |
|-------------------------------|--------------|------------|-------------|----------|
|                               |              |            | £ STERLING  | € EUROS  |
| CETOP 3 1STN M/FOLD           | 31           | MD-03P-1-G | £23.37      | € 31.55  |
| CETOP 3 2STN M/FOLD           | 32           | MD-03P-2-G | £42.84      | € 57.83  |
| CETOP 3 3STN M/FOLD           | 33           | MD-03P-3-G | £62.96      | € 85.01  |
| CETOP 3 4STN M/FOLD           | 34           | MD-03P-4-G | £85.68      | € 115.67 |
| NO MANIFOLD NEEDED            | XXX          |            | £0.00       | € 0.00   |



**STEP 4**  
SELECT CETOP 3  
VALVES  
EG: XXX  
£0.00

| CETOP 3 VALVES<br>315 BAR MAX PRESSURE | COSTING CODE | NETT. PRICE |         |
|--|--------------|-------------|---------|
|  |              | £ STERLING  | € EUROS |
| NG 6 D/ACTING VALVE                    | NG6D         | £49.23      | € 66.45 |
| NG 6 S/ACTING VALVE                    | NG6S         | £36.60      | € 49.42 |
| NO VALVES NEEDED                       | XXX          | £0.00       | € 0.00  |



**STEP 5**  
SELECT DIRECTIONAL  
CONTROL VALVE  
EG:XXX  
£0.00

| 45LTR DIRECTIONAL CONTROL VALVE<br>400 BAR MAX PRESSURE<br>HDM11P/HDM11S | COSTING CODE | PART NO  | NETT. PRICE |          |
|--|--------------|----------|-------------|----------|
|  |              |          | £ STERLING  | € EUROS  |
| 3/8" 1 BANK D/ACTING S/RETURN VALVE                                      | P1           | HDM140/1 | £45.42      | € 61.33  |
| 3/8" 2 BANK D/ACTING S/RETURN VALVE                                      | P2           | HDM11P/2 | £106.34     | € 143.55 |
| 3/8" 3 BANK D/ACTING S/RETURN VALVE                                      | P3           | HDM11P/3 | £149.95     | € 202.44 |
| 3/8" 4 BANK D/ACTING S/RETURN VALVE                                      | P4           | HDM11P/4 | £181.29     | € 244.75 |
| 3/8" 5 BANK D/ACTING S/RETURN VALVE                                      | P5           | HDM11P/5 | £216.75     | € 292.60 |
| 3/8" 6 BANK D/ACTING S/RETURN VALVE                                      | P6           | HDM11P/6 | £245.37     | € 331.24 |
| 1/2" 1 BANK D/ACTING S/RETURN VALVE                                      | S1           | HDM11S/1 | £85.88      | € 115.94 |
| 1/2" 2 BANK D/ACTING S/RETURN VALVE                                      | S2           | HDM11S/2 | £132.22     | € 178.50 |
| 1/2" 3 BANK D/ACTING S/RETURN VALVE                                      | S3           | HDM11S/3 | £171.75     | € 231.87 |
| 1/2" 4 BANK D/ACTING S/RETURN VALVE                                      | S4           | HDM11S/4 | £211.29     | € 285.24 |
| 1/2" 5 BANK D/ACTING S/RETURN VALVE                                      | S5           | HDM11S/5 | £256.26     | € 345.96 |
| 1/2" 6 BANK D/ACTING S/RETURN VALVE                                      | S6           | HDM11S/6 | £271.26     | € 366.21 |
| NO VALVES NEEDED   | XXX          |          | £0.00       | € 0.00   |

ALL POWER PACKS ARE FULLY ASSEMBLED AND TESTED.  
ISSUED WITH 12 MONTHS WARRANTY FROM INVOICE DATE

**USE TECH. DATA SHEET PU13 FOR PRODUCTS ON THIS PAGE**

**FULL ORDER  
NUMBER  
FOR EXAMPLE  
SHOWN**  
HF700-PG4-XXX  
-XXX-XXX

## HF900 HATZ DIESEL ENGINE DRIVEN

The HF900 series of diesel driven power packs is based on a range of HATZ diesel engines from 7.4kw – 50kw on request.

Supplied fully assembled and tested, These units can offer pressures up to 350 bar and flows up to 250 l/min on request.

All components in stock ready to assemble for immediate delivery.

ALL POWER PACKS ARE FULLY ASSEMBLED PRIOR TO DESPATCH. ISSUED WITH 12 MONTHS WARRANTY FROM INVOICE DATE

### THE HF900 BASIC DIESEL DRIVEN POWER PACKS CONSISTS OF:

- HATZ SINGLE CYLINDER DIESEL ENGINE
- GALTECH GEAR PUMP
- FLOWFIT BELL HOUSING AND DRIVE COUPLING
- IKRON TANK TOP RETURN LINE FILTER 10 MICRON C/W VISUAL INDICATOR
- FLOWFIT 45 LITRE RESERVOIR C/W REMOVEABLE LID
- IKRON FILLER BREATHER AND IKRON SUCTION STRAINER 125 MICRON
- FILTREC LEVEL AND TEMP INDICATOR
- PRESSURE GAUGE
- ASSEMBLED, MOUNTED ON A FRAME AND TESTED
- PAINTED BLACK
- COMPLETE WITH DOUBLE ACTING VALVE, BUCHER HDM140 C/W MAIN RELIEF, DOUBLE ACTING SPOOL C/W 3 POSITION SPRING RETURN AND LEVER OPERATED



HATZ 1D50Z



HATZ 2G40

### EXAMPLE

**STEP 1**  
SELECT ENGINE TYPE  
EG: ZZ001422  
£3,148.79

www.flowfitonline.com  
TECH. DATA SHEET  
**PU14**

TO GENERATE YOUR FULL ORDER NUMBER SELECT THE COSTING CODE OR EACH COMPONENT

| PART NO  | HATZ ENGINE TYPE | KW 3600 RPM | HP 3600 RPM | ENGINE START | PERFORMANCE L/MIN @ PSI | PUMP TYPE | OIL ALERT YES / NO | DIMENSIONS L X W X H (MM) | NETT. PRICE |            |
|----------|------------------|-------------|-------------|--------------|-------------------------|-----------|--------------------|---------------------------|-------------|------------|
|          |                  |             |             |              |                         |           |                    |                           | £ STERLING  | € EUROS    |
| ZZ001422 | 1D50Z            | 7.5         | 10          | *HANDLE      | 18 L/MIN @ 2900PSI      | GEAR      | YES                | 1015 x 385 x 600          | £3,148.79   | € 4,250.87 |
| ZZ001640 | 2G40             | 14.7        | 19.7        | 12 VOLT      | 36 L/MIN @ 2900PSI      | GEAR      | YES                | 1015 x 385 x 600          | £5,725.08   | € 7,728.86 |

\*12V START AVAILABLE ON REQUEST



**STEP 2**  
SELECT ADD ON EXTRAS  
EG: PG4  
£21.17

| COSTING CODE | ADD ON EXTRAS                          | NETT. PRICE |         |
|--------------|--|-------------|---------|
|              |  | £ STERLING  | € EUROS |
| PG1          | PRESSURE GAUGE 0-1000PSI PLUS ISOLATOR | £21.17      | € 28.58 |
| PG2          | PRESSURE GAUGE 0-2000PSI PLUS ISOLATOR | £21.17      | € 28.58 |
| PG4          | PRESSURE GAUGE 0-4000PSI PLUS ISOLATOR | £21.17      | € 28.58 |
| PG6          | PRESSURE GAUGE 0-6000PSI PLUS ISOLATOR | £21.17      | € 28.58 |
| XXX          | NOT REQUIRED                           | £0.00       | € 0.00  |





**STEP 3**  
SELECT CETOP 3  
MANIFOLD  
EG: XXX  
£0.00

| CETOP 3 M/FOLD<br>PART NO REF | COSTING CODE | PART NO    | NETT. PRICE |          |
|-------------------------------|--------------|------------|-------------|----------|
|                               |              |            | £ STERLING  | € EUROS  |
| CETOP 3 1STN M/FOLD           | 31           | MD-03P-1-G | £23.37      | € 31.55  |
| CETOP 3 2STN M/FOLD           | 32           | MD-03P-2-G | £42.84      | € 57.83  |
| CETOP 3 3STN M/FOLD           | 33           | MD-03P-3-G | £63.18      | € 85.30  |
| CETOP 3 4STN M/FOLD           | 34           | MD-03P-4-G | £85.68      | € 115.67 |
| NO MANIFOLD NEEDED            | XXX          |            | £0.00       | € 0.00   |



**STEP 4**  
SELECT CETOP 3  
VALVES  
EG: XXX  
£0.00

| CETOP 3 VALVES<br>315 BAR MAX PRESSURE | COSTING CODE | NETT. PRICE |         |
|--|--------------|-------------|---------|
|  |              | £ STERLING  | € EUROS |
| NG 6 D/ACTING VALVE                    | NG6D         | £49.23      | € 66.45 |
| NG 6 S/ACTING VALVE                    | NG6S         | £36.60      | € 49.42 |
| NO VALVES NEEDED                       | XXX          | £0.00       | € 0.00  |



**STEP 5**  
SELECT DIRECTIONAL  
CONTROL VALVE  
EG:XXX  
£0.00

| 45LTR DIRECTIONAL CONTROL VALVE<br>400 BAR MAX PRESSURE<br>HDM11P/HDM11S | COSTING CODE | PART NO  | NETT. PRICE |          |
|--|--------------|----------|-------------|----------|
|  |              |          | £ STERLING  | € EUROS  |
| 3/8" 1 BANK D/ACTING S/RETURN VALVE                                      | P1           | HDM140/1 | £45.42      | € 61.33  |
| 3/8" 2 BANK D/ACTING S/RETURN VALVE                                      | P2           | HDM11P/2 | £106.34     | € 143.55 |
| 3/8" 3 BANK D/ACTING S/RETURN VALVE                                      | P3           | HDM11P/3 | £149.95     | € 202.44 |
| 3/8" 4 BANK D/ACTING S/RETURN VALVE                                      | P4           | HDM11P/4 | £181.29     | € 244.75 |
| 3/8" 5 BANK D/ACTING S/RETURN VALVE                                      | P5           | HDM11P/5 | £216.75     | € 292.60 |
| 3/8" 6 BANK D/ACTING S/RETURN VALVE                                      | P6           | HDM11P/6 | £245.37     | € 331.24 |
| 1/2" 1 BANK D/ACTING S/RETURN VALVE                                      | S1           | HDM11S/1 | £85.88      | € 115.94 |
| 1/2" 2 BANK D/ACTING S/RETURN VALVE                                      | S2           | HDM11S/2 | £132.22     | € 178.50 |
| 1/2" 3 BANK D/ACTING S/RETURN VALVE                                      | S3           | HDM11S/3 | £171.75     | € 231.87 |
| 1/2" 4 BANK D/ACTING S/RETURN VALVE                                      | S4           | HDM11S/4 | £211.29     | € 285.24 |
| 1/2" 5 BANK D/ACTING S/RETURN VALVE                                      | S5           | HDM11S/5 | £256.26     | € 345.96 |
| 1/2" 6 BANK D/ACTING S/RETURN VALVE                                      | S6           | HDM11S/6 | £271.26     | € 366.21 |
| NO VALVES NEEDED   | XXX          |          | £0.00       | € 0.00   |

ALL POWER PACKS ARE FULLY ASSEMBLED AND TESTED.  
ISSUED WITH 12 MONTHS WARRANTY FROM INVOICE DATE

**USE TECH. DATA SHEET PU14 FOR PRODUCTS ON THIS PAGE**

**FULL ORDER  
NUMBER  
FOR EXAMPLE  
SHOWN**  
HF900-PG4-  
XXX-XXX-XXX

## CUSTOM BUILT POWER UNITS

### CUSTOM BUILT POWER UNITS TO SUIT YOUR APPLICATIONS

Have a Flowfit custom built power unit to meet your exact requirements.

We can build power units for use in agricultural implements, sawmills, mining applications, quarries, compactors, landfills, material handling equipment, automotive plants, transportation, hanger door openers, man lifts, light industrial and wind turbine applications plus many more.

We can add a variety of custom features including DC backups for AC units, handpumps, explosion proof motors, oil coolers, heat exchangers, oil heaters, solenoid or manual valves, kidney loop filtration, offline filtration, tandem and triple pumps and two stage pumps.

Our Flowfit Power Unit Technical Support Team are here to assist you with all your power unit needs.

Give us a call today for assistance with any questions you may have.

For a no-obligation priced quotation please complete this form.

**Fax: 0044 1584 876044**

**Email: [sales@flowfitonline.com](mailto:sales@flowfitonline.com)**

## FLOWFIT CUSTOM BUILT WORKSHEET

|                            |                      |
|----------------------------|----------------------|
| <b>Customer Name</b> ..... | <b>Company</b> ..... |
| <b>Name</b> .....          |                      |
| <b>Address</b> .....       |                      |
| <b>Town/City</b> .....     | <b>County</b> .....  |
| <b>Postcode</b> .....      | <b>Country</b> ..... |
| <b>Phone</b> .....         | <b>Fax</b> .....     |
| <b>Email</b> .....         | <b>Website</b> ..... |
| <b>Mobile</b> .....        |                      |

**Description of Application**

**Hydraulic schematic or hose layout**

PLEASE ENTER THE DETAILS YOU KNOW AS A STARTING POINT

**POWER SOURCE**

PETROL  \_\_\_\_\_ HP \_\_\_\_\_ KW      DIESEL  \_\_\_\_\_ HP \_\_\_\_\_ KW

ELECTRIC MOTOR  \_\_\_\_\_ phase \_\_\_\_\_ voltage  
 \_\_\_\_\_ Hz       AC \_\_\_\_\_ DC

PHASE     Single  Three

FLOW REQUIRED \_\_\_\_\_ Gallons \_\_\_\_\_ Litres

FLUID BEING USED \_\_\_\_\_

SPEED FOR ADVISED FLOW REQUIREMENT \_\_\_\_\_ RPM

PRESSURE REQUIRED \_\_\_\_\_ PSI \_\_\_\_\_ BAR

SPECIAL COMMENTS OR NEEDS:  
 \_\_\_\_\_

**TANK/RESERVOIR SIZE**

SIZE REQUIRED \_\_\_\_\_ LITRES \_\_\_\_\_ GALLONS

Please note we normally recommend anywhere from 3 to 10 times pump flow for correct tank sizing.

PHYSICAL SIZE OF CUSTOMISED TANK REQUIRED    LENGTH \_\_\_\_\_  
 WIDTH \_\_\_\_\_  
 HEIGHT \_\_\_\_\_

**PUMP TYPE**

VARIABLE DISPLACEMENT                       FIXED DISPLACEMENT

**MAIN RELIEF**

RELIEF SETTING REQUIRED \_\_\_\_\_ PSI RELIEF SETTING REQUIRED \_\_\_\_\_ BAR

**DIRECTIONAL CONTROLS**

MANUAL       SOLENOID       VOLTAGE OF COILS

NUMBER OF SPOOLS \_\_\_\_\_

SPOOL ACTION       CLOSED       OPEN       REGENERATIVE

FLOAT       TANDEM       SPRING CENTRE       DETENT

OTHER VALVES NEEDED  
 \_\_\_\_\_

**ACCESSORIES**

RETURN LINE FILTER       PRESSURE FILTER

PRESSURE GAUGE AND ISOLATOR \_\_\_\_\_ PRESSURE RANGE PSI

COOLER REQUIRED \_\_\_\_\_ TYPE REQUIRED       TANK OIL HEATER

IF OPERATING HYDRAULIC CYLINDERS PLEASE CONFIRM  
 BORE \_\_\_\_\_ mm    ROD \_\_\_\_\_ mm    STROKE \_\_\_\_\_ mm

SINGLE ACTING     DOUBLE ACTING     \_\_\_\_\_ TONNAGE FORCE REQUIRED.

IF CYLINDERS WORKING TOGETHER PLEASE ADVISE  
 \_\_\_\_\_

TIME TO EXTEND \_\_\_\_\_ SECS TIME TO RETREAT \_\_\_\_\_ SECS

DO YOU REQUIRE SINGLE/DOUBLE PILOT CHECK VALVES  DO YOU REQUIRE HOSE BURST VALVES

IF OPERATING HYDRAULIC MOTORS PLEASE CONFIRM  
 SPEED OF MOTOR \_\_\_\_\_ RPM PRESSURE REQUIRED \_\_\_\_\_

THE ABOVE FORMS CONTIAN THE BASIC REQUIREMENTS TO ENABLE OUR FLOWFIT SUPPORT SPECIALIST TO PROCEED WITH A QUOTE. WE WILL CONTACT YOU FOR FURTHER INFO REQUIRED.

**CALL 01584 876033 FAX 01584 876044 EMAIL SALES @FLOWFITONLINE.COM**