

Straight Bulkhead (Metric)



Benefits:

- Leak free o-ring seal
- Safe joint every time
- Low tightening torque and clamping force rises with the internal pressure.
- Low installed cost, no welding (so inert gas purging, NDT and excessive flushing are not required), minimal tube preparation and no special assembly equipment required.
- Demountable and reusable, can be used with most tube materials.

Features:

Body – mild steel, stainless steel or cupro-nickel. Compatible with most fluids and environments. Locates o-ring and tube.

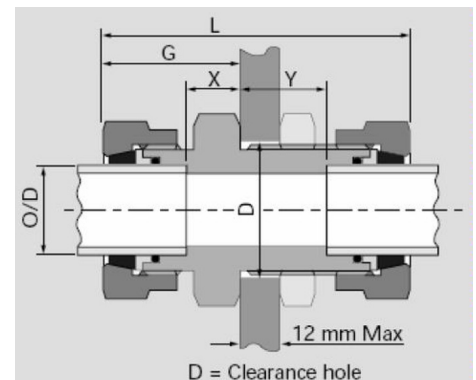
O-ring – nitrile, FPM (Viton), EP or FEP encapsulated FPM. Compatible with most fluids. Highly resistant to leakage even under severe vibration, pressure pulsation and temperature cycling. Provides diametric seal between tube OD and body cavity.

Nut – mild steel, stainless steel or cupro-nickel. Compatible with most environments. Closes split collet and retains sealing mechanism.


Back-up washer – mild steel, stainless steel, or cupro-nickel. Provides additional support for the tube and locates the o-ring.

Split collet – mild steel, stainless steel or cupro-nickel. Clamping force rises with pressure. Large clamping area ensures minimal deformation of the tube. Retains tube in position.

- 3:1 safety factor
- Derate by 50% for high pressure gas systems
- Pressure ratings based on the tube OD tolerance to BS3602 and DIN2391C



 **Working Temperature:**
Nitrile: -40°C to +100°C
Viton: -20°C to +150°C

 **Maximum Working Pressure:**
6mm to 22mm: 680 bar
25mm to 50mm: 500 bar

All fittings also available in the following materials upon request:

- Stainless steel
- Cupro-nickel

Seals available on request:

- EP (ethylene propylene)
- FEP encapsulated FPM

All fittings supplied with Nitrile seals as standard.

| Primary Item No | O/D | Part No | D mm | G mm | L mm | X mm | Ymm | Nut A/F mm | Body A/F mm | *Max WP Bar |
|-----------------|-----|-----------|------|------|------|------|-----|------------|-------------|-------------|
| 5011904 | 6 | KRAM6BPR | 14 | 25 | 67 | 10 | 27 | 16 | 17 | 680 |
| 5011956 | 8 | KRAM8BPR | 16 | 25 | 67 | 10 | 27 | 17 | 17 | 680 |
| 5011455 | 10 | KRAM10BPR | 24 | 30 | 76 | 8 | 24 | 27 | 27 | 680 |
| 5011528 | 12 | KRAM12BPR | 24 | 30 | 76 | 8 | 24 | 27 | 27 | 680 |
| 5011602 | 16 | KRAM16BPR | 27 | 33 | 82 | 10 | 25 | 32 | 32 | 680 |
| 5011665 | 20 | KRAM20BPR | 37 | 46 | 101 | 16 | 32 | 41 | 41 | 680 |
| 5011695 | 22 | KRAM22BPR | 37 | 43 | 99 | 13 | 25 | 41 | 41 | 680 |
| 5011731 | 25 | KRAM25BPR | 40 | 49 | 109 | 18 | 34 | 46 | 41 | 500 |
| 5011784 | 30 | KRAM30BPR | 46 | 51 | 115 | 18 | 32 | 50 | 50 | 500 |
| 5011826 | 38 | KRAM38BPR | 52 | 62 | 134 | 23 | 34 | 60 | 60 | 500 |
| 5011859 | 50 | KRAM50BPR | 71 | 69 | 171 | 29 | 42 | 80 | 80 | 500 |

*Derate maximum working pressure by 50% for high pressure gas systems.