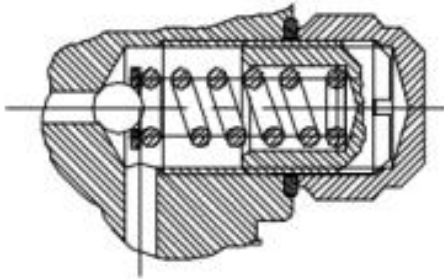
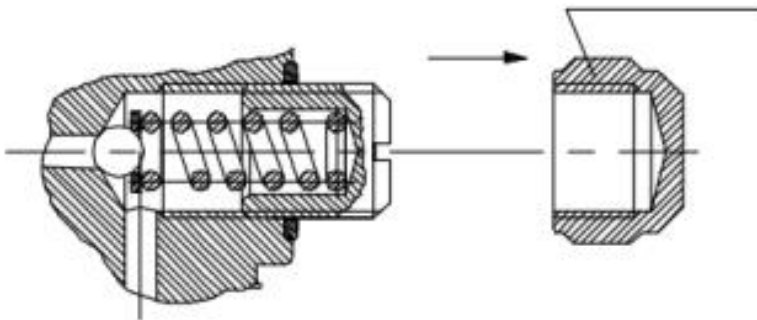


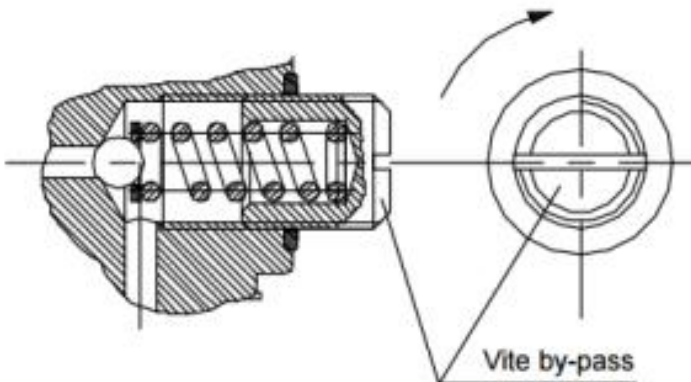
# FLOWFIT HAND PUMP RELIEF VALVE ADJUSTMENT



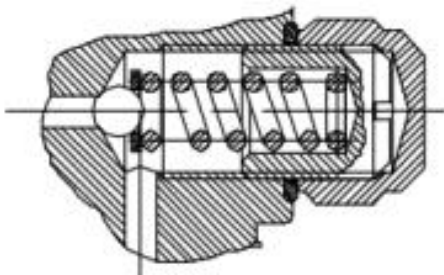
1. Locate relief valve on the side of the handpump



2. Remove the cover



3. Wind the slotted screw to increase pressure, wind out to decrease the pressure.



4. Replace the cover