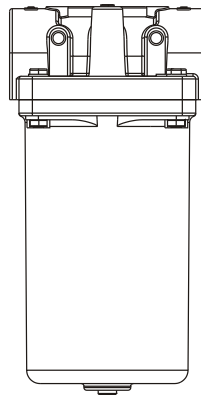
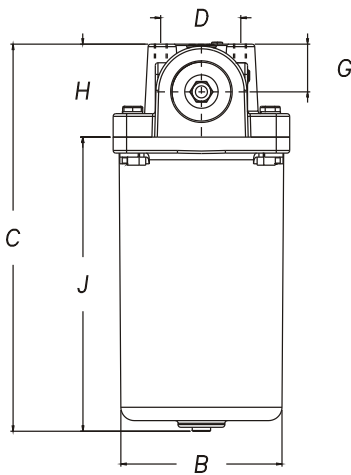
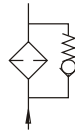
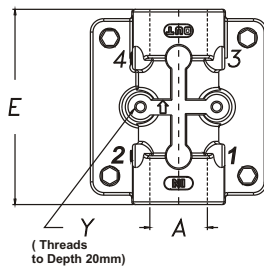


# Reservoir Accessories

## Filter - Inline - HFR

### Specification:

- Aluminium die cast construction
- 3 Basic models - flows to 150 LPM
- By pass standard 1 bar
- Working pressure to 20 bar/test 30 bar/burst 40 bar
- Suitable for mineral/petroleum based oils
- Maximum temperature 80°C



MODEL	PORT 'A' BSPP	B	C	D	E	G	H	J	Y 2 OFF	WT KGS
HF * .05	1 / 2"	66	147	38	88	24	44	103	M 8x 1.25	1.0
HF * .10	3/4" 1"	88	176	44	114	27	52	125	M 8x1.25	1.6
HF * .20	1 - 1 / 4" 1 - 1 / 2"	120	290	57	145	36	70	220	M 10x1.5	3.8

Dimensions in mm for reference only

# Reservoir Accessories

## Filter - Inline - HFR

### MODEL CODE : ASSEMBLY

HF R	- 05	- 04*	- 010	- **	- **	- **
TYPE	SIZE	PORT THREAD	FILTRATION* μ MICRONS	FEATURE 1 BY Pass ( OMIT IF STD)	FEATURE 2 Position Indicator Ports ( OMIT IF STD)	FEATURE 3
R - RETURN	05	04 B - 1/2" BSPP	P10 - 10 μ NOM	R3 - 15PSI (STD)	R-STD 2 X 1/8" NPT INLET ( 1 & 2 )	U - 3/8" -16 UNC ( Optional ) ( Mounting Holes )
		04 N - 1/2" NPT				
		08 S - 3/4" UNF - 16				
S - SUCTION	10	06 B - 3/4" BSPP	P25 - 25 μ NOM	R4 - 25 PSI	S-STD 2 X 1/8" NPT OUTLET ( 3 & 4 )	
		06 N - 3/4" NPT				
		12 S - 1-1/16" UNF - 12				
B - NO BYPASS	20	08 B - 1" BSPP	A10 - 10 μ ABS	S1 - 3PSI (STD)	B-STD 4 X 1/8" NPT INLET & OUTLET ( 1, 2, 3 & 4 )	
		08 N - 1" NPT				
		16 S - 1-5/16" UNF - 12				
		10 B - 1-1/4" BSPP	A25 - 25 μ ABS			X NONE ( OPTIONAL # )
		10 N - 1-1/4" NPT				
		20 S - 1- 5/8" UNF - 12				
		12 B - 1-1/2" BSPP	M149 - 149 μ MESH			
		12 N - 1-1/2" NPT				
		24 S - 1- 7/8" UNF - 12	M074 - 74 μ MESH			

\* Optional Filtration Mesh Elements Available **43 , 63 , 100 , 125, 300 & 575 microns** INDICATOR : OPTIONAL ( TO BE ORDERED SEPERATELY )

Consult Factory For HFR 20 - 1" Port Option

Consult Factory For Tapped Holes For Cover Bolts

Element : P10 / P25 vs 010 / 025

GR - VISUAL RETURN ER - ELEC. RETURN

GS - VISUAL SUCTION ES - ELEC. SUCTION

### MODEL CODE : ELEMENT

HFE	- 05	- 010
	SIZE	FILTRATION μ MICRONS
HFE	05	P10 - 10 μ NOM
		P25 - 25 μ NOM
	10	A10 - 10 μ ABS
		A25 - 25 μ ABS
	20	M149 - 149 μ MESH
		M 74 - 74 μ MESH

\* Optional Filtration Mesh Elements Available  
M43 , M63 , M100 , M125, M300 & M575 microns

### MODEL CODE : SEALING KIT

HFR	- 05	- SK	- **
	SIZE	SEAL KIT	FEATURE # OPTIONAL
HFR	05	SK	
	10	SK	
	20	SK	

# OPTIONAL / SPECIAL FEATURE - OMIT IF NOT REQUIRED

### Element Details

SIZE	P/A	M	B φ	H	Area SqCm		
	D φ	D φ			P-10/25	A-10/25	M - ***
HFE - 05	52	52	25	90	920	655	360
HFE - 10	72	66	34	109	2205	1575	560
HFE - 20	100	85	51	200	7235	5150	1800

M \*\*\* All Mesh Elements

CONSULT FACTORY FOR ANY OTHER REQUIREMENT

Dimensions in mm for reference only

