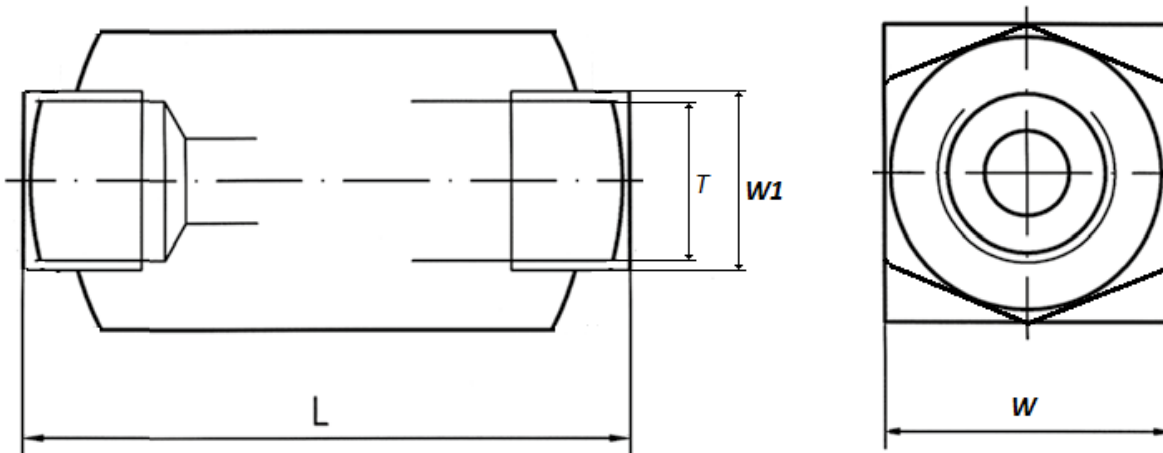


# High Pressure Ball Valves

## EHRVG-Series Steel Check Valves (PN 700 bar)

### Specification:

Body:	Carbon Steel
Piston:	Carbon Steel
Spring:	C98 material
O-rings:	NBR
Standard Cracking Pressure:	0.35bar-0.5bar
Surface Treatment:	Cr3



Part Code	DN (mm)	PN	L (mm)	W (mm)	W1 (mm)	T
EHRVG-14	6	700 bar	60	19	18.5	G1/4"
EHRVG-38	10	700 bar	70	24	23.5	G3/8"
EHRVG-12	13	500 bar	77	30	29.5	G1/2"
EHRVG-34	20	500 bar	90	36	35.5	G3/4"
EHRVG-1	25	500 bar	106	45	44.5	G1"
EHRVG-114	32	400 bar	125	55	54.5	G1.1/4"
EHRVG-112	38	320 bar	140	65	64.5	G1.1/2"
EHRVG-2	50	320 bar	160	75	74.5	G2"