

**GEAR PUMPS, BELL HOUSING
AND ELECTIC MOTORS**

GEAR PUMPS

PRODUCT	PAGE
PUMPS GROUP 1	231
PUMPS GROUP 2	232
PUMPS GROUP 3	233
MULTIPLE TANDEM/TRIPLE HYDRAULIC PUMP KITS	234
PUMPS AND MOTORS ELBOW CONNECTORS	234



**FROM
ONLY
£82.78
+VAT**



**FROM
ONLY
£96.39
+VAT**



QUALITY PRODUCTS



FREE ADVICE



GEAR PUMPS



Galtch gear pumps are manufactured in 29 displacements ranging from 09cc to 62cc and working pressures up to 320 bar.

Huge range of Group 1, Group 2 and Group 3 pumps are available in stock with 1:8 taper shafts, 4 bolt European flange and bsp ports as standard.

A huge range of pumps with various shafts, flanges and assembly covers fitted with flow control and pressure relief valves are available upon request

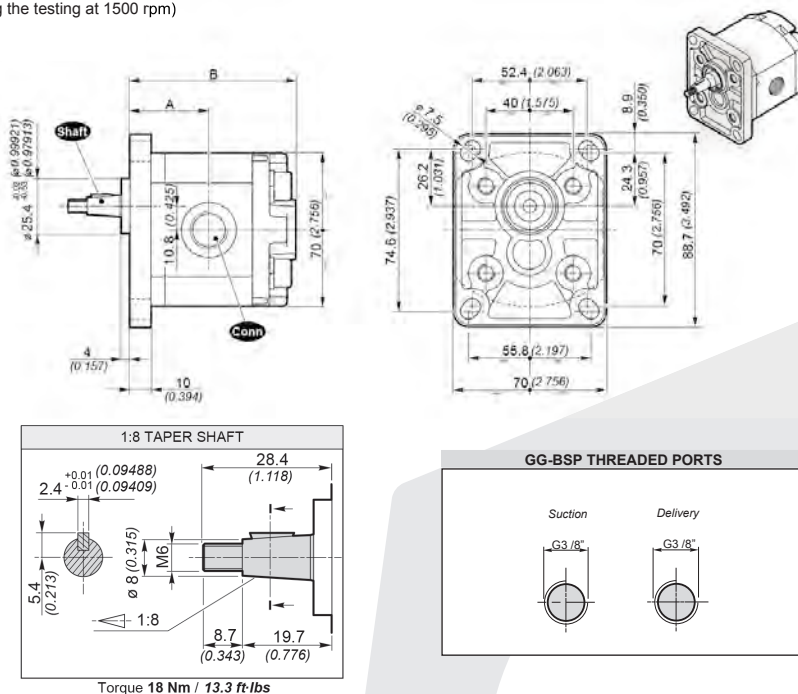
www.flowfitonline.com
TECH. DATA SHEET
GP01

PUMPS GROUP 1

PART NUMBER	DISPLACEMENT [cm ³ /rev] (in ³ /rev)	MAX. WORKING PRESSURE			MAX. SPEED [g/min] (rpm)	MAX. FLOW [l/min] (Gal/min)	MIN. SPEED [g/min] (rpm)	MIN. FLOW [l/min] (Gal/min)	DIMENSIONS		MASS [Kg] (lbs)	NETT. PRICE	
		P1 [bar] (PSI)	P2 [bar] (PSI)	P3 [bar] (PSI)					A [mm] (inch)	B [mm] (inch)		£ STERLING	€ EUROS
1SPA0.9D10GG	0.89 (0.05)	240 (3480)	260 (3770)	290 (4205)	6000	5.3 (1.40)	600	0.49 (0.13)	34.80 (1.370)	73.6 (2.898)	0.91 (2.01)	£82.78	€ 111.76
1SPA1.2D10GG	1.18 (0.07)	240 (3480)	260 (3770)	290 (4205)	6000	7.1 (1.88)	600	0.65 (0.17)	35.35 (1.392)	74.7 (2.941)	0.93 (2.05)	£82.78	€ 111.76
1SPA1.6D10GG	1.6 (0.10)	240 (3480)	260 (3770)	290 (4205)	6000	9.6 (2.54)	400	0.61 (0.16)	36.20 (1.425)	76.4 (3.008)	0.95 (2.09)	£82.78	€ 111.76
1SPA2.0D10GG	2.0 (0.12)	220 (3190)	250 (3625)	270 (3915)	5500	11 (2.91)	400	0.76 (0.20)	36.95 (1.455)	77.9 (3.067)	0.97 (2.14)	£82.78	€ 111.76
1SPA2.5D10GG	2.5 (0.15)	220 (3190)	250 (3625)	270 (3915)	5000	12.5 (3.30)	400	0.95 (0.25)	37.95 (1.494)	79.9 (3.146)	1.00 (2.21)	£82.78	€ 111.76
1SPA3.2D10GG	3.2 (0.20)	210 (3045)	240 (3480)	260 (3770)	4500	14.4 (3.80)	400	1.21 (0.32)	39.30 (1.547)	82.6 (3.252)	1.04 (2.29)	£82.78	€ 111.76
1SPA3.7D10GG	3.7 (0.23)	210 (3045)	240 (3480)	260 (3770)	4000	14.8 (3.91)	400	1.40 (0.37)	40.30 (1.587)	84.6 (3.331)	1.07 (2.36)	£82.78	€ 111.76
1SPA4.2D10GG	4.2 (0.26)	190 (2755)	210 (3045)	230 (3335)	3500	14.7 (3.88)	400	1.60 (0.42)	41.25 (1.624)	86.5 (3.406)	1.10 (2.43)	£82.78	€ 111.76
1SPA5.0D10GG	5.0 (0.31)	180 (2610)	210 (3045)	230 (3335)	3000	15 (3.96)	400	1.90 (0.50)	42.80 (1.685)	89.6 (3.528)	1.14 (2.51)	£82.78	€ 111.76
1SPA6.3D10GG	6.3 (0.38)	170 (2465)	190 (2755)	210 (3045)	2700	17 (4.49)	400	2.39 (0.63)	45.35 (1.785)	94.7 (3.728)	1.22 (2.69)	£82.78	€ 111.76
1SPA7.8D10GG	7.76 (0.47)	170 (2465)	190 (2755)	210 (3045)	2500	19.4 (5.13)	400	2.95 (0.78)	48.20 (1.898)	100.4 (3.953)	1.30 (2.87)	£82.78	€ 111.76
1SPA9.8D10GG	9.78 (0.60)	150 (2175)	170 (2465)	190 (2755)	2000	19.6 (5.18)	400	3.71 (0.98)	52.15 (2.053)	108.3 (4.264)	1.41 (3.11)	£82.78	€ 111.76

* Value collected during the testing at 1500 rpm)

Dimensions mm (inch)



Torque 18 Nm / 13.3 ft/lbs

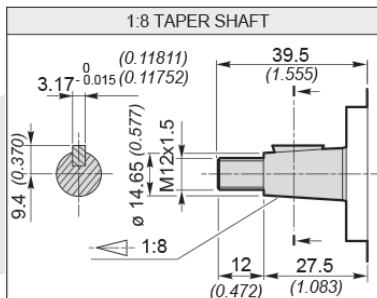
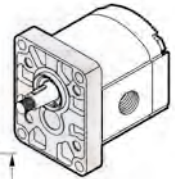
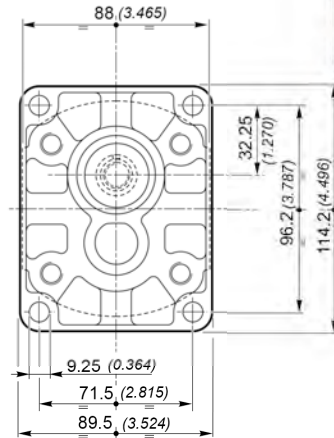
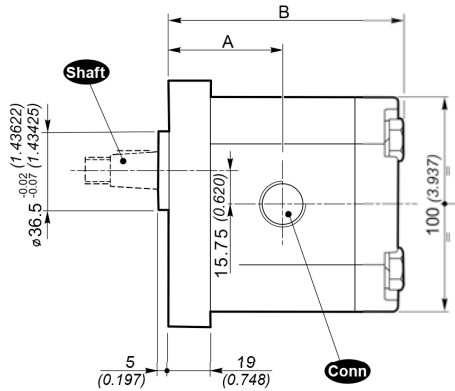
PUMPS GROUP 2

www.flowfitonline.com
TECH. DATA SHEET
GP02

PART NUMBER	DISPLACEMENT [cm ³ /rev] (in ³ /rev)	MAX. WORKING PRESSURE			MAX. SPEED [g/min] (rpm)	MAX. FLOW [l/min] (Gal/min)	MIN. SPEED [g/min] (rpm)	MIN. FLOW [l/min] (Gal/min)	DIMENSIONS		MASS [Kg] (lbs)	NETT. PRICE	
		P1	P2	P3					A	B			
		[bar] (PSI)	[bar] (PSI)	[bar] (PSI)					[mm] (inch)	[mm] (inch)		£ STERLING	€ EUROS
2SPA4D10G	4 (0.24)	250 (3625)	270 (3915)	290 (4205)	4000	16 (4.23)	500	1.9 (0.50)	44.4 (1.748)	93 (3.661)	2.30 (5.07)	£96.39	€ 130.13
2SPA6D10G	6 (0.37)	250 (3625)	270 (3915)	290 (4205)	4000	24 (6.34)	500	2.85 (0.75)	46 (1.811)	96.3 (3.791)	2.45 (5.40)	£96.39	€ 130.13
2SPA8D10G	8.5 (0.52)	250 (3625)	270 (3915)	290 (4205)	3500	29.7 (7.85)	500	4.03 (1.06)	48.1 (1.894)	100.5 (3.957)	2.60 (5.73)	£96.39	€ 130.13
2SPA11D10G	11 (0.67)	250 (3625)	270 (3915)	290 (4205)	3500	38.5 (10.17)	500	5.22 (1.38)	50.2 (1.976)	104.6 (4.118)	2.70 (5.95)	£96.39	€ 130.13
2SPA14D10G	14 (0.85)	250 (3625)	270 (3915)	290 (4205)	3500	49 (12.95)	500	6.65 (1.76)	52.7 (2.075)	109.6 (4.315)	2.80 (6.17)	£96.39	€ 130.13
2SPA16D10G	16.5 (1.01)	230 (3335)	240 (3480)	250 (3625)	3500	57.7 (15.24)	500	7.83 (2.07)	54.8 (2.157)	113.8 (4.480)	2.95 (6.51)	£96.39	€ 130.13
2SPA19D10G	19.5 (1.19)	210 (3045)	220 (3190)	230 (3335)	3300	64.3 (16.99)	500	9.26 (2.45)	57.3 (2.256)	118.8 (4.677)	3.10 (6.84)	£96.39	€ 130.13
2SPA22D10G	22.5 (1.37)	190 (2755)	200 (2900)	210 (3045)	2800	63 (16.64)	500	10.68 (2.82)	59.8 (2.354)	123.8 (4.874)	3.25 (7.17)	£96.39	€ 130.13
2SPA26D10G	26 (1.59)	170 (2465)	180 (2610)	190 (2755)	2500	65 (17.17)	500	12.35 (3.26)	62.7 (2.469)	129.6 (5.102)	3.40 (7.50)	£96.39	€ 130.13

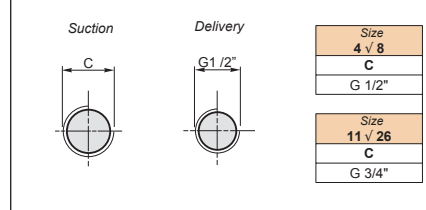
* Value collected during the testing at 1500 rpm)

Dimensions mm (inch)



Torque 98 Nm / 72.3 ft-lbs

PORT CONNECTIONS



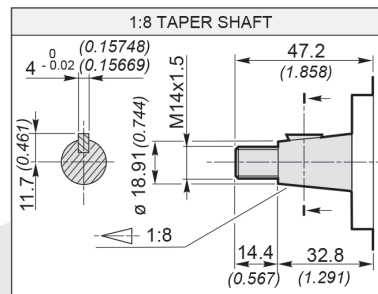
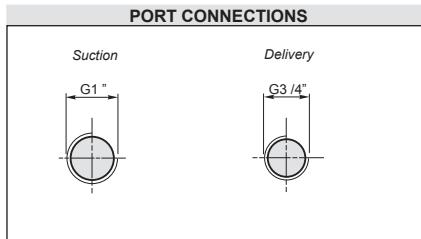
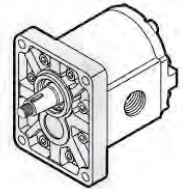
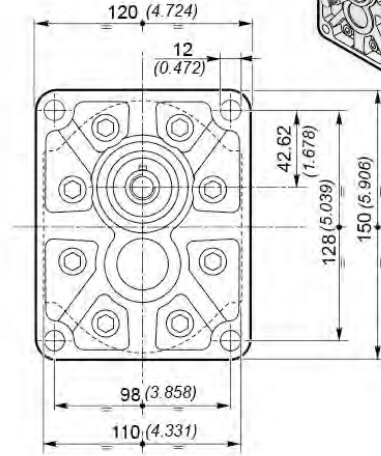
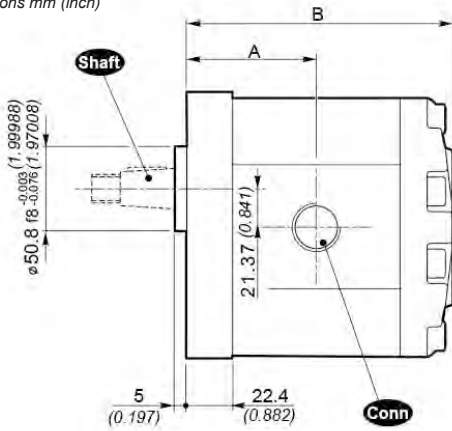
PUMPS GROUP 3

www.flowfitonline.com
TECH. DATA SHEET
GP03

PART NUMBER	DISPLACEMENT [cm ³ /rev] [in ³ /rev]	MAX. WORKING PRESSURE			MAX. SPEED [g/min] [rpm]	MAX. FLOW [l/min] [Gal/min]	MIN. SPEED [g/min] [rpm]	MIN. FLOW [l/min] [Gal/min]	DIMENSIONS		MASS [Kg] [lbs]	NETT. PRICE	
		P1 [bar] [PSI]	P2 [bar] [PSI]	P3 [bar] [PSI]					A [mm] [inch]	B [mm] [inch]		£ STERLING	€ EUROS
	3SPA19D10G	19 (1.16)	250 (3625)	270 (3915)	300 (4350)	3500	66.5 (17.57)	700	12.64 (3.34)	62.4 (2.457)	128.3 (5.051)	5.23 (11.53)	£167.83
3SPA22D10G	22.3 (1.36)	240 (3480)	260 (3770)	290 (4205)	3500	78 (20.61)	700	14.83 (3.92)	63.9 (2.516)	131.3 (5.169)	5.36 (11.82)	£167.83	€ 226.57
3SPA29D10G	29.3 (1.79)	220 (3190)	240 (3480)	260 (3770)	3300	96.7 (25.55)	700	19.48 (5.15)	66.9 (2.634)	137.3 (5.406)	5.64 (12.44)	£167.83	€ 226.57
3SPA33D10G	32.9 (2.01)	220 (3190)	230 (3335)	260 (3770)	3300	108.6 (28.69)	700	21.88 (5.78)	68.4 (2.693)	140.3 (5.524)	5.78 (12.75)	£167.83	€ 226.57
3SPA36D10G	36.4 (2.22)	210 (3045)	230 (3335)	250 (3625)	3300	120.1 (31.73)	700	24.21 (6.4)	69.9 (2.752)	143.3 (5.642)	5.91 (13.03)	£167.83	€ 226.57
3SPA44D10G	43.5 (2.65)	200 (2900)	220 (3190)	240 (3480)	3000	130.5 (34.48)	700	28.93 (7.64)	72.9 (2.87)	149.3 (5.878)	6.19 (13.65)	£167.83	€ 226.57
3SPA52D10G	51.7 (3.15)	200 (2900)	210 (3045)	240 (3480)	3000	155.1 (40.98)	700	34.38 (9.08)	76.4 (3.008)	156.3 (6.154)	6.5 (14.33)	£167.83	€ 226.57
3SPA62D10G	61.1 (3.73)	180 (2610)	190 (2755)	200 (2900)	2500	152.7 (40.34)	700	40.63 (10.73)	80.4 (3.165)	164.3 (6.469)	6.87 (15.15)	£167.83	€ 226.57

* Value collected during the testing at 1500 rpm)

Dimensions mm (inch)



Torque 240 Nm / 177 ft-lbs

MULTIPLE TANDEM/TRIPLE HYDRAULIC PUMP KITS

www.flowfitonline.com
TECH. DATA SHEET
GP04



Tandem pump kits are a great way of assembling multiple standard pumps together.

All the standard gear pumps are already designed to engage another pump on the rear.

All standard pumps require 1 kit for a tandem pump assembly, 2 kits for a triple pump assembly and 3 kits for a quadruple pump assembly.

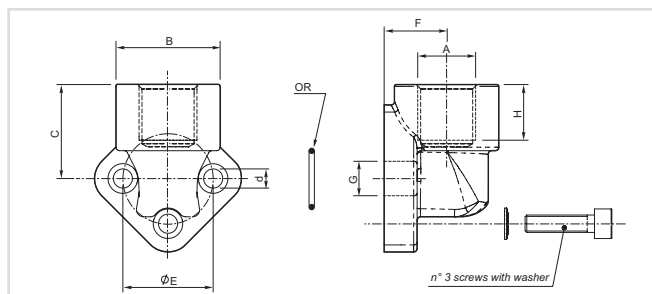


PART NUMBER	DESCRIPTION	NETT. PRICE	
		£ STERLING	€ EUROS
01091100000000	Hydraulic Tandem Pump Kit Group 1 to Group 1	£39.69	€ 53.58
01092110000000	Hydraulic Tandem Pump Kit Group 2 to Group 1	£43.09	€ 58.18
01092200000000	Hydraulic Tandem Pump Kit Group 2 to Group 2	£43.09	€ 58.18
01093110000000	Hydraulic Tandem Pump Kit Group 3 to Group 1	£63.50	€ 85.73
01093200000000	Hydraulic Tandem Pump Kit Group 3 to Group 2	£68.04	€ 91.85
01093300000000	Hydraulic Tandem Pump Kit Group 3 to Group 3	£81.65	€ 110.22

PUMPS AND MOTORS ELBOW CONNECTORS

ELBOW CONNECTORS FOR PUMP PORT CONNECTIONS TYPE 'N'

www.flowfitonline.com
TECH. DATA SHEET
GP05



PART NUMBER	A	B	C	d	E	F	G	H	NETT. PRICE	
									£ STERLING	€ EUROS
FG3826	3/8" BSP	30 (1.181)	27.5 (1.083)	5.5 (0.217)	26 (1.024)	17 (0.669)	11 (0.433)	12 (0.472)	£6.34	€ 8.55
FG3830	3/8" BSP	30 (1.181)	27.5 (1.083)	6.5 (0.256)	30 (1.181)	17 (0.669)	12 (0.472)	12 (0.472)	£6.34	€ 8.55
FG1230	1/2" BSP	30 (1.181)	27.5 (1.083)	6.5 (0.256)	30 (1.181)	17 (0.669)	12 (0.472)	12 (0.472)	£6.34	€ 8.55
FG3440	3/4" BSP	38 (1.496)	36 (1.417)	8.5 (0.335)	40 (1.575)	21 (0.817)	19 (0.748)	16 (0.630)	£8.10	€ 10.94
FG151	1" BSP	45 (1.772)	47 (1.850)	10.5 (0.413)	51 (2.008)	26 (1.024)	25 (0.984)	18 (0.709)	£13.12	€ 17.71
FG112725	1 1/2" BSP	63 (2.480)	56 (2.205)	13 (0.512)	72.5 (2.854)	34.5 (1.358)	40 (1.575)	24 (0.945)	£29.83	€ 40.27