

# HYDRAULIC CYLINDERS

# FLOWFIT

# HYDRAULIC CYLINDERS

PRODUCT	PAGE
SERIES 100 - SINGLE ACTING HYDRAULIC CYLINDER	276
SERIES 200 - DOUBLE ACTING HYDRAULIC CYLINDER	278
SERIES 300 - DOUBLE ACTING HYDRAULIC CYLINDER (NO ENDS)	282
SERIES 400 - DOUBLE ACTING HYDRAULIC CYLINDER	284
SERIES 590 - TURN-OVER PLOUGH CYLINDER	286
SERIES 600 - STANDARD HYDRAULIC TOP LINK	287
SERIES 610 - HYDRAULIC TOP LINK (FIXED)	288
SERIES 620 - HYDRAULIC TOP LINK (RAPID HOOK)	289
SERIES 630 - HYDRAULIC TOP LINK (RAPID HOOK)	290
SERIES 700 - BRAKE CYLINDER (SINGLE ACTING)	291
SERIES 710 - BRAKE CYLINDER (SINGLE ACTING)	291
FOLDING HYDRAULIC CRUTCH	292



**FROM ONLY**  
**£47.78**  
+VAT



**FROM ONLY**  
**£63.19**  
+VAT



**QUALITY PRODUCTS**

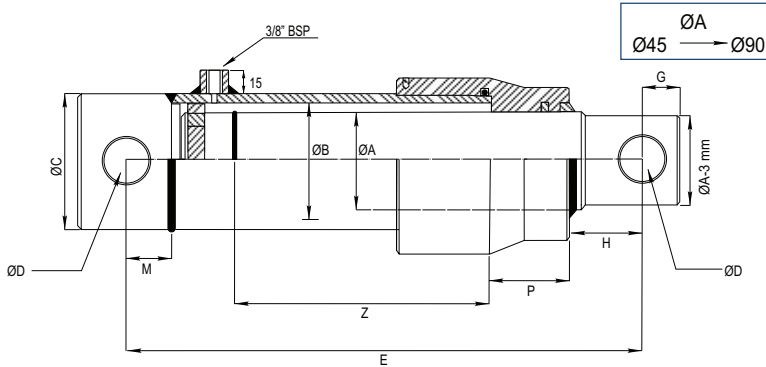
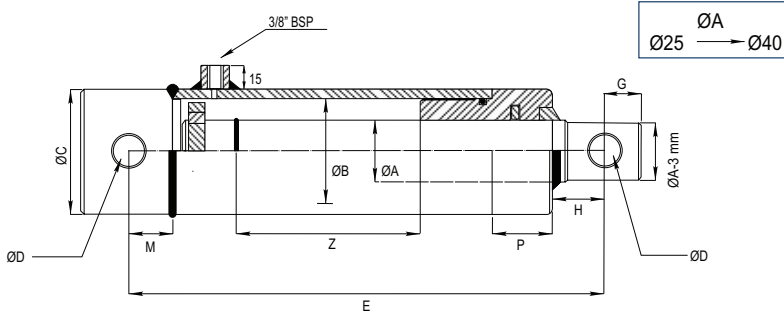


**FREE ADVICE**

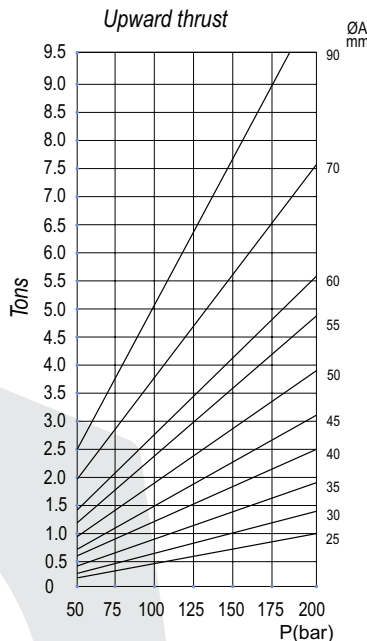
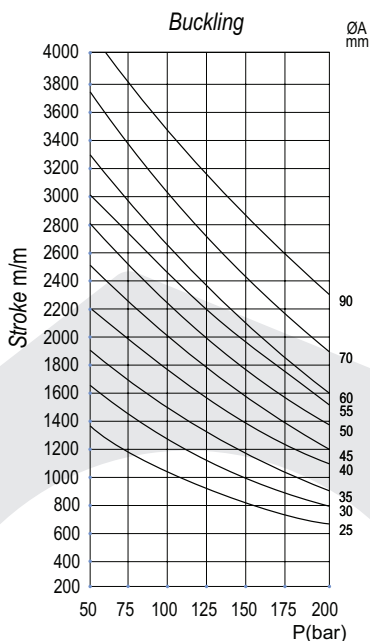
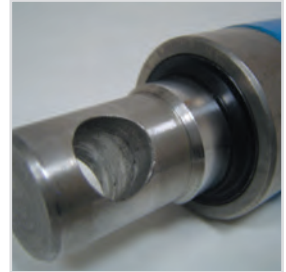
**FLOWFIT®**  
**24 HOUR**  
**DELIVERY**

## SERIES 100 - SINGLE ACTING HYDRAULIC CYLINDER

www.flowfitonline.com  
TECH. DATA SHEET  
**FHC01**



Working pressure: 180 bars.  
Speed: 0.5 m/s.  
Working temperature: -25°C - +80°C.  
Oil: Mineral oil.  
Rod: C45 f7 25 microns.  
Tube: St52.3 Din2393 Iso H9



Push Force =  $\pi \times r^2 \times \text{pressure (bar)}$   
Example = Cylinder 40-70/80  
 $3.5^2 \times 3.14 \times 150$  (bar)  
Total 5769.75 Kgs

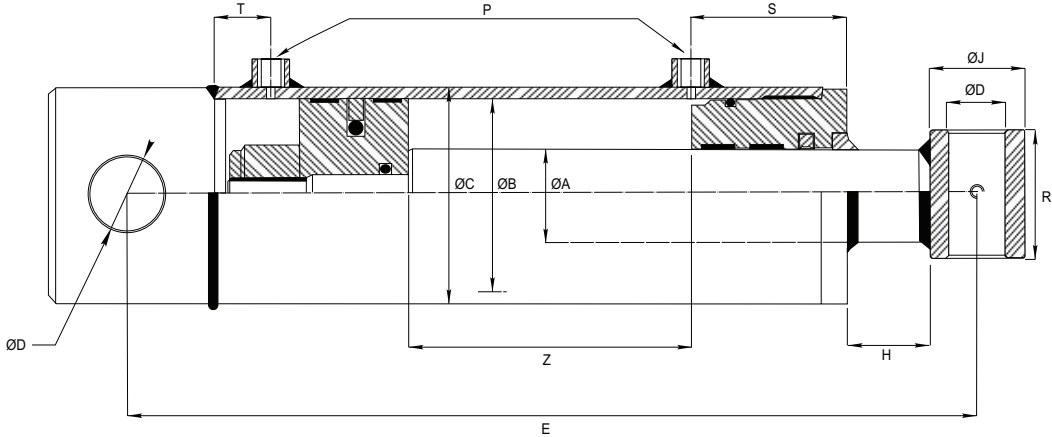
Volume =  $\pi \times r^2 \times h$  (height)  
Example = Cylinder 40-70/80-400 (mm)  
 $3.5^2 \times 3.14 \times 0.04$  (m.)  
Total 1.5386 litres

ORDER CODE	ØA	B	STROKE	E	G	D	C	H	M	P	VOL (LITRES)	WEIGHT (KGS)	NETT. PRICE	
													£ STERLING	€ EUROS
100/010			100	190							0.08	1.5	£65.56	€ 88.51
100/020	25	32	200	290	14	14.2	40	24	17	20	0.16	2.3	£72.73	€ 98.17
100/030			300	390							0.24	3	£79.77	€ 107.69
101/020			200	300							0.25	3.6	£86.65	€ 116.97
101/030			300	400							0.38	4.7	£95.79	€ 129.32
101/040	30	40	400	500	17	16.2	50	26	22	22	0.5	6	£106.34	€ 143.55
101/050			500	600							0.69	7.6	£115.54	€ 155.98
101/070			700	800							0.88	9.4	£139.06	€ 187.74
102/020			200	330							0.32	4.7	£92.02	€ 124.22
102/030			300	430							0.48	6.1	£102.00	€ 137.69
102/040	35	45	400	530	20	20.25	55	32		24	0.64	7.5	£111.99	€ 151.18
102/050			500	630							0.87	9.6	£121.89	€ 164.56
102/070			700	830							1.11	11.7	£141.77	€ 191.40
103/020			200	330							0.39	6	£117.08	€ 158.07
103/030			300	430							0.59	7.6	£130.28	€ 175.89
103/040	40	50	400	530	22	23		32		32	0.79	9.3	£143.55	€ 193.80
103/050			500	630							1.08	11.7	£156.74	€ 211.60
103/070			700	830							1.37	14.2	£183.19	€ 247.30
104/020			200	330			60			25	0.39	7	£148.02	€ 199.83
104/030			300	430							0.59	8.9	£162.46	€ 219.34
104/040	45	50	400	530	22	23		34		35	0.79	10.9	£176.91	€ 238.83
104/050			500	630							1.08	13.7	£191.46	€ 258.48
104/070			700	830							1.37	16.7	£220.36	€ 297.49
105/020			200	360							0.48	8.9	£154.89	€ 209.11
105/030			300	460							0.71	11.2	£171.56	€ 231.61
105/040	50	55	400	560			65	49		44	0.95	13.5	£188.25	€ 254.15
105/050			500	660							1.31	16.8	£204.90	€ 276.62
105/070			700	860							1.66	20.4	£238.24	€ 321.62
106/030			300	460							0.85	13.6	£247.63	€ 334.30
106/050	55	60	500	660	25	25.25	70	41		52	1.56	19.3	£291.30	€ 393.26
106/070			700	860							1.98	24.2	£334.98	€ 452.23
107/020			200	360							0.66	12.6	£225.85	€ 304.89
107/030			300	460							1	15.7	£247.68	€ 334.37
107/040	60	65	400	560			75	36		29	1.33	18.7	£269.52	€ 363.86
107/050			500	660							1.83	23.3	£291.35	€ 393.31
107/070			700	860							2.32	28.4	£335.01	€ 452.26
108/030			300	495							1.51	25.1	£278.28	€ 375.68
108/040	70	80	400	595	28	30.5	90	50		67	2.02	29.6	£308.29	€ 416.19
108/050			500	695							2.52	34.5	£335.97	€ 453.56
108/070			700	895							3.53	43.4	£393.69	€ 531.48



## SERIES 200 – DOUBLE ACTING HYDRAULIC CYLINDER

www.flowfitonline.com  
TECH. DATA SHEET  
**FHC02**

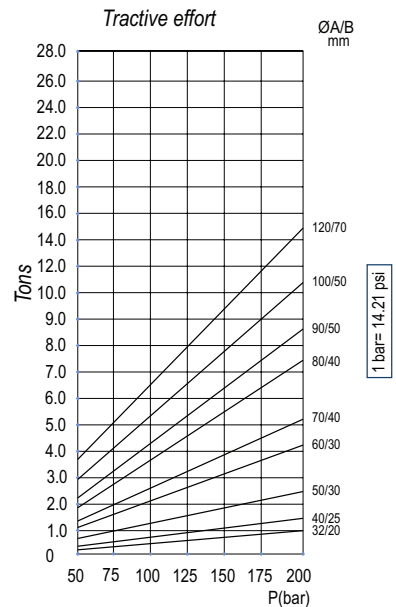
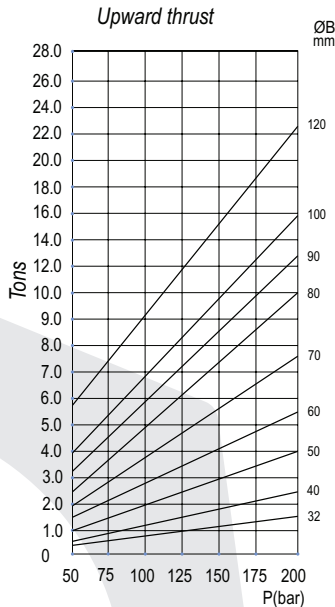
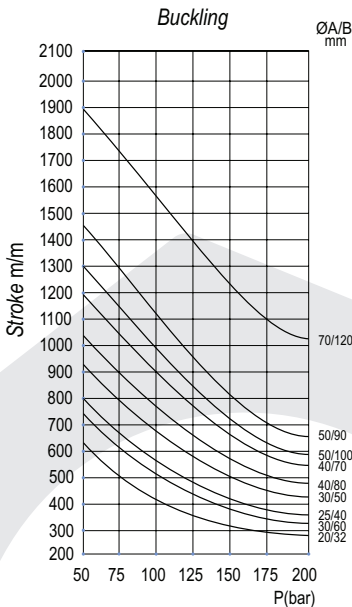


Working pressure: 180 bars.  
Speed: 0.5 m/s.  
Working temperature: -25°C - +80°C.  
Oil: Mineral oil.  
Rod: C45 f7 25 microns.  
Tube: St52.3 Din2393 Iso H9

Volume =  $\pi r^2 \times h$  (height)  
Example = Cylinder 40-70/80-400  
 $3.5^2 \times 3.14 \times 0.04$  (m.)  
Total 1.5386 litres

Push Force =  $\pi r^2 \times \text{pressure (bar)}$   
Example = Cylinder 40-70/80  
 $3.5^2 \times 3.14 \times 150$  (bar)  
Total 5.769.75 Kgs

Push Force =  $\pi r^2 \times \text{pressure (bar)}$   
Example = Cylinder 40-70/80  
Calculate Rod Area:  $3.14 \times 2.0^2 = 12,56$   
Calculate Tube Area:  $3.14 \times 3.5^2 = 38,465$   
Subtract Areas:  $38,465 - 12,56 = 25,905$   
Strength:  $25,905 \times 150$  (bar) = 3885.79



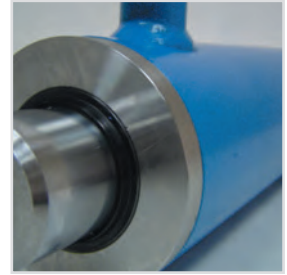
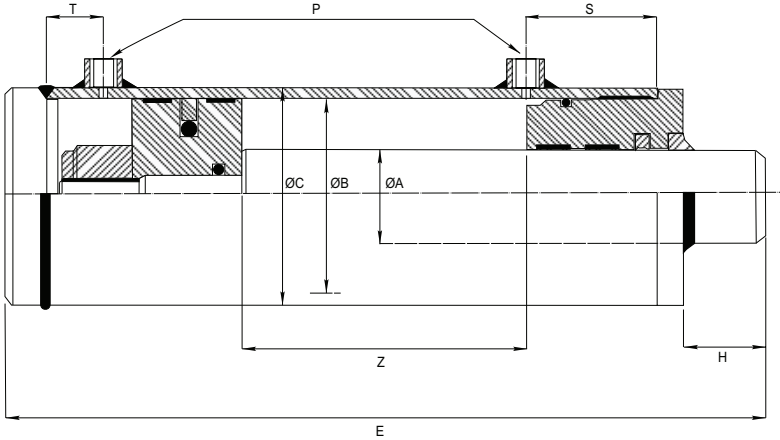
ORDER CODE	ROD A	Z STROKE	E CLOSED CENTRE	B BORE	C OD	D PIN HOLE	H	T	J	R	S	P	VOL	WEIGHT	NETT. PRICE	
															£ STERLING	€ EUROS
200/005	20	50	205	32	40	16.25	46	10	30	35	33	1/4 BSP	0.04	1.7	£47.78	€ 64.50
200/010		100	255									1/4 BSP	0.10	2.00	£49.33	€ 66.59
200/015		150	305									1/4 BSP	0.12	2.30	£50.77	€ 68.54
200/020		200	355									1/4 BSP	0.17	2.60	£54.11	€ 73.04
200/025		250	405									1/4 BSP	0.20	2.90	£55.43	€ 74.83
200/030		300	455									1/4 BSP	0.25	3.20	£56.94	€ 76.86
200/035		350	505									1/4 BSP	0.28	3.30	£59.97	€ 80.97
200/040		400	555									1/4 BSP	0.32	3.40	£61.91	€ 83.57
200/050		500	655									1/4 BSP	0.40	3.50	£64.51	€ 87.09
200/060		600	755									1/4 BSP	0.48	3.80	£85.03	€ 114.78
200/070		700	855									1/4 BSP	0.56	4.10	£92.67	€ 125.11
200/080		800	955									1/4 BSP	0.64	4.40	£96.74	€ 130.58
200/090		900	1055									1/4 BSP	0.72	4.70	£99.62	€ 134.49
200/100		1000	1155									1/4 BSP	0.80	5.00	£106.94	€ 144.36
200/110		1100	1255									1/4 BSP	0.85	5.30	£114.27	€ 154.27
200/120	1200	1355	1/4 BSP	0.96	5.60	£121.51	€ 164.04									
200/130	1300	1455	1/4 BSP	1.04	5.90	£128.94	€ 174.06									
200/140	1400	1555	1/4 BSP	1.12	6.20	£136.26	€ 183.96									
200/150	1500	1655	1/4 BSP	1.20	6.50	£145.86	€ 196.92									
201/010	25	100	270	40	50	20.5	30	16	35	40	42	3/8 BSP	0.12	2.80	£54.16	€ 73.12
201/015		150	320									3/8 BSP	0.18	3.50	£56.42	€ 76.16
201/020		200	370									3/8 BSP	0.25	3.80	£58.71	€ 79.25
201/025		250	420									3/8 BSP	0.31	4.20	£60.67	€ 81.91
201/030		300	470									3/8 BSP	0.40	4.80	£63.23	€ 85.36
201/035		350	520									3/8 BSP	0.44	5.20	£66.14	€ 89.28
201/040		400	570									3/8 BSP	0.55	5.80	£67.77	€ 91.49
201/050		500	670									3/8 BSP	0.60	6.80	£72.33	€ 97.64
201/060		600	770									3/8 BSP	0.75	7.80	£76.83	€ 103.72
201/070		700	870									3/8 BSP	0.90	8.80	£81.39	€ 109.87
201/080		800	970									3/8 BSP	1.00	9.60	£85.92	€ 115.99
201/090		900	1070									3/8 BSP	1.13	10.60	£101.53	€ 137.06
201/100		1000	1170									3/8 BSP	1.25	11.60	£108.95	€ 147.09
201/110		1100	1270									3/8 BSP	1.38	12.60	£116.37	€ 157.10
201/120		1200	1370									3/8 BSP	1.50	13.60	£124.21	€ 167.68
201/130	1300	1470	3/8 BSP	1.63	14.60	£131.21	€ 177.12									
201/140	1400	1570	3/8 BSP	1.76	15.60	£138.64	€ 187.16									
201/150	1500	1670	3/8 BSP	1.88	16.60	£146.03	€ 197.13									
202/010	30	100	300	50	60	25.5	47	20	35	45	43	3/8 BSP	0.19	4.40	£66.45	€ 89.72
202/015		150	350									3/8 BSP	0.29	5.00	£69.31	€ 93.57
202/020		200	400									3/8 BSP	0.39	5.00	£72.17	€ 97.43
202/025		250	450									3/8 BSP	0.49	5.60	£76.25	€ 102.93
202/030		300	500									3/8 BSP	0.59	7.06	£77.91	€ 105.17
202/035		350	550									3/8 BSP	0.68	7.40	£81.71	€ 110.32
202/040		400	600									3/8 BSP	0.79	8.28	£83.62	€ 112.89
202/045		450	650									3/8 BSP	0.88	8.70	£87.38	€ 117.97
202/050		500	700									3/8 BSP	0.98	9.50	£89.36	€ 120.64
202/060		600	800									3/8 BSP	1.18	10.72	£95.09	€ 128.38
202/070		700	900									3/8 BSP	1.37	11.94	£100.82	€ 136.10
202/080		800	1000									3/8 BSP	1.57	12.90	£106.53	€ 143.81
202/090		900	1100									3/8 BSP	1.76	14.10	£112.26	€ 151.55
202/100		1000	1200									3/8 BSP	1.96	15.30	£118.00	€ 159.31
202/110		1100	1300									3/8 BSP	2.16	16.50	£137.83	€ 186.06
202/120	1200	1400	3/8 BSP	2.35	17.70	£146.60	€ 197.91									
202/130	1300	1500	3/8 BSP	2.55	18.90	£155.35	€ 209.71									
202/140	1400	1600	3/8 BSP	2.75	20.10	£164.14	€ 221.58									
202/150	1500	1700	3/8 BSP	2.94	21.30	£172.91	€ 233.43									
203/010	30	100	300	60	70	25.5	46	20	35	45	47	3/8 BSP	0.28	6.10	£76.23	€ 102.90
203/015		150	350									3/8 BSP	0.42	6.50	£79.07	€ 106.74
203/020		200	400									3/8 BSP	0.57	7.08	£82.29	€ 111.08
203/025		250	450									3/8 BSP	0.70	7.65	£85.91	€ 115.98
203/030		300	500									3/8 BSP	0.85	8.46	£88.32	€ 119.24
203/035		350	550									3/8 BSP	0.99	9.30	£92.89	€ 125.40
203/040		400	600									3/8 BSP	1.13	9.84	£94.37	€ 127.40

ORDER CODE	ROD A	Z STROKE	E CLOSED CENTRE	B BORE	C OD	D PIN HOLE	H	T	J	R	S	P	VOL	WEIGHT	NETT. PRICE										
															£ STERLING	€ EUROS									
203/045	30	450	650	60	70	25.5	46	20	40	45	47	3/8 BSP	1.27	10.10	£98.27	€ 132.67									
203/050		500	700									3/8 BSP	1.41	11.22	£100.54	€ 135.73									
203/060		600	800									3/8 BSP	1.70	12.60	£106.46	€ 143.72									
203/070		700	900									3/8 BSP	1.98	13.98	£112.47	€ 151.84									
203/080		800	1000									3/8 BSP	2.26	14.8	£133.29	€ 179.94									
203/085		850	1050									3/8 BSP	2.40	15.4	£138.51	€ 186.98									
203/090		900	1100									3/8 BSP	2.54	16.1	£143.43	€ 193.64									
203/100		1000	1200									3/8 BSP	2.82	17.3	£149.60	€ 201.96									
203/110		1100	1300									3/8 BSP	3.10	18.6	£159.49	€ 215.32									
203/120		1200	1400									3/8 BSP	3.38	19.9	£169.33	€ 228.59									
203/130		1300	1500									3/8 BSP	3.66	21.2	£179.18	€ 241.90									
203/140		1400	1600									3/8 BSP	3.14	22.5	£189.04	€ 255.20									
203/150		1500	1700									3/8 BSP	4.22	23.8	£198.90	€ 268.52									
204/010		40	100									310	70	80	30.5	34	26	50	55	51	3/8 BSP	0.38	9.59	£98.83	€ 133.42
204/020			200									410									3/8 BSP	0.77	10.39	£104.25	€ 140.73
204/025	250		460	3/8 BSP	0.96	11.30	£108.59	€ 146.60																	
204/030	300		510	3/8 BSP	1.15	12.22	£112.92	€ 152.44																	
204/035	350		560	3/8 BSP	1.34	13.00	£117.30	€ 158.36																	
204/040	400		610	3/8 BSP	1.54	14.05	£121.62	€ 164.19																	
204/050	500		710	3/8 BSP	1.92	15.88	£130.32	€ 175.93																	
204/055	550		760	3/8 BSP	2.11	16.71	£134.56	€ 181.66																	
204/060	600		810	3/8 BSP	2.31	17.71	£139.01	€ 187.66																	
204/070	700		910	3/8 BSP	2.69	19.54	£147.68	€ 199.37																	
204/080	800		1010	3/8 BSP	3.00	21.50	£156.35	€ 211.08																	
204/090	900		1110	3/8 BSP	3.40	22.75	£165.03	€ 222.79																	
204/100	1000		1210	3/8 BSP	3.85	23.54	£183.35	€ 247.54																	
204/110	1100		1310	3/8 BSP	4.23	24.54	£192.56	€ 259.97																	
204/120	1200		1410	3/8 BSP	4.62	25.60	£198.94	€ 268.56																	
204/130	1300		1510	3/8 BSP	5.00	27.54	£210.52	€ 284.21																	
204/140	1400		1610	3/8 BSP	5.39	29.54	£222.10	€ 299.84																	
204/150	1500		1710	3/8 BSP	5.77	32.50	£233.64	€ 315.41																	
204/180	1800		2010	3/8 BSP	6.93	34.60	£233.64	€ 315.41																	
205/010	50		100	310	80	90	30.5	21	26	60	70	60									3/8 BSP	0.53	10.00	£102.06	€ 137.79
205/020			200	410																	3/8 BSP	1.01	12.10	£128.92	€ 174.05
205/025			250	460																	3/8 BSP	1.25	13.00	£134.02	€ 180.92
205/030			300	510																	3/8 BSP	1.51	14.10	£139.07	€ 187.75
205/035			350	560																	3/8 BSP	1.76	15.00	£144.17	€ 194.63
205/040			400	610																	3/8 BSP	2.01	16.10	£149.25	€ 201.48
205/050			500	710																	3/8 BSP	2.51	18.10	£159.38	€ 215.16
205/060			600	810																	3/8 BSP	3.02	20.10	£169.51	€ 228.84
205/070			700	910																	3/8 BSP	3.52	22.10	£179.64	€ 242.51
205/080			800	1010																	3/8 BSP	4.02	24.10	£189.79	€ 256.21
205/090			900	1110																	3/8 BSP	4.52	26.10	£199.22	€ 268.95
205/100		1000	1210	3/8 BSP									5.03	28.10	£210.29	€ 283.89									
205/110		1100	1310	3/8 BSP									5.53	30.10	£222.59	€ 300.50									
205/120		1200	1410	3/8 BSP									6.03	32.10	£235.69	€ 318.18									
205/130		1300	1510	3/8 BSP									6.53	34.10	£248.82	€ 335.91									
205/140	1400	1610	3/8 BSP	7.04	36.10	£261.99	€ 353.69																		
205/150	1500	1710	3/8 BSP	7.54	38.10	£275.12	€ 371.41																		
206/005	50	50	275	90	100	30.5	28	26	60	70	60	3/8 BSP	0.31	10.70	£135.10	€ 182.38									
206/010		100	325									3/8 BSP	0.63	12.20	£136.49	€ 184.26									
206/020		200	425									3/8 BSP	1.27	15.15	£156.06	€ 210.69									
206/030		300	525									3/8 BSP	1.91	18.15	£175.77	€ 237.29									
206/040		400	625									3/8 BSP	2.54	21.15	£193.47	€ 261.19									
206/050		500	725									3/8 BSP	3.17	24.15	£214.52	€ 289.60									
206/060		600	825									3/8 BSP	3.80	27.15	£234.77	€ 316.95									
206/070		700	925									3/8 BSP	4.43	30.15	£254.43	€ 343.47									
206/080		800	1025									3/8 BSP	5.09	33.2	£263.78	€ 356.10									
206/090		900	1125									3/8 BSP	5.72	36.2	£282.71	€ 381.65									
206/100		1000	1225									3/8 BSP	6.36	39.20	£292.76	€ 395.22									
206/110		1100	1325									3/8 BSP	7.03	42.20	£303.87	€ 410.22									
206/120		1200	1425									3/8 BSP	7.63	45.20	£321.86	€ 434.52									

ORDER CODE	ROD A	Z STROKE	E CLOSED CENTRE	B BORE	C OD	D PIN HOLE	H	T	J	R	S	P	VOL	WEIGHT	NETT. PRICE			
															£ STERLING	€ EUROS		
206/130	50	1300	1525	90	100		28					60	3/8 BSP	8.27	48.20	£339.77	€ 458.69	
206/140		1400	1625										3/8 BSP	8.91	51.20	£358.01	€ 483.30	
206/150		1500	1725										3/8 BSP	9.54	54.20	£375.61	€ 507.08	
207/010		100	325	100	115	30.5	25	26	60	70			67	1/2 BSP	0.78	19.50	£176.49	€ 238.27
207/020		200	425											1/2 BSP	1.57	22.70	£184.01	€ 248.42
207/030		300	525											1/2 BSP	2.36	27.60	£200.35	€ 270.48
207/040		400	625											1/2 BSP	3.14	30.80	£216.71	€ 292.55
207/050		500	725											1/2 BSP	3.94	34.00	£232.98	€ 314.53
207/060		600	825											1/2 BSP	4.74	37.20	£251.50	€ 339.52
207/070		700	925											1/2 BSP	5.54	40.40	£265.65	€ 358.62
207/080		800	1025											1/2 BSP	6.28	41.30	£282.73	€ 381.68
207/090		900	1125											1/2 BSP	7.07	43.00	£298.33	€ 402.75
207/100		1000	1225											1/2 BSP	7.86	45.90	£314.66	€ 424.80
207/110		1100	1325											1/2 BSP	8.64	48.80	£334.90	€ 452.11
207/120		1200	1425											1/2 BSP	9.43	51.70	£355.95	€ 480.54
207/130	1300	1525	1/2 BSP											10.21	54.60	£376.84	€ 508.73	
207/140	1400	1625	1/2 BSP											11.00	57.50	£397.63	€ 536.81	
207/150	1500	1725	1/2 BSP											11.79	60.40	£418.39	€ 564.83	
208/020	70	200	510	120	140	40.5	39	30	80	80			1/2 BSP	2.26	45.00	£329.86	€ 445.33	
208/040		400	710										1/2 BSP	4.23	55.00	£329.86	€ 445.33	
208/050		500	810										1/2 BSP	5.65	62.50	£343.50	€ 463.72	
208/060		600	910										1/2 BSP	7.07	70.00	£411.66	€ 555.75	
208/070		700	1010										1/2 BSP	8.49	77.50	£447.11	€ 603.60	
208/100		1000	1310										1/2 BSP	11.31	100.00	£553.45	€ 747.15	
208/130		1300	1610										1/2 BSP	14.71	138.00	£661.27	€ 892.72	

# SERIES 300 - DOUBLE ACTING HYDRAULIC CYLINDER (NO ENDS)

www.flowfitonline.com  
**TECH. DATA SHEET**  
**FHC03**

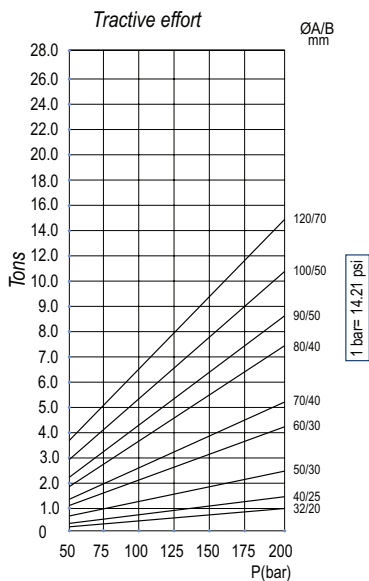
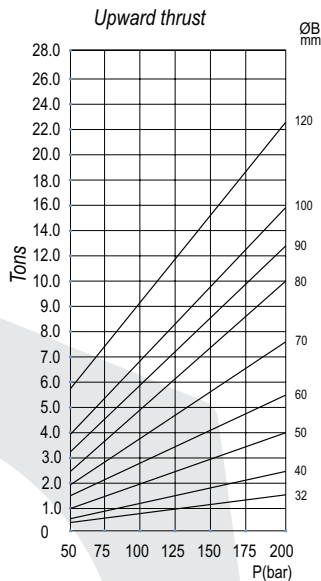
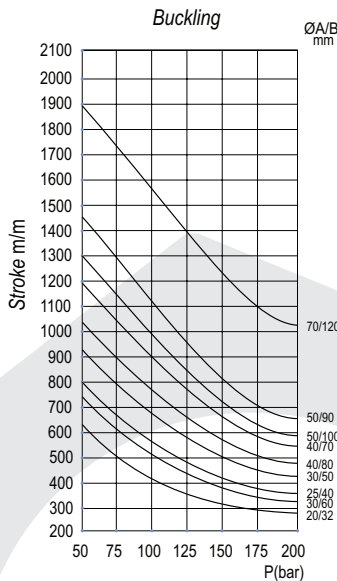


Working pressure: 180 bars.  
 Speed: 0.5 m/s.  
 Working temperature: -25°C - +80°C.  
 Oil: Mineral oil.  
 Rod: C45 f7 25 microns.  
 Tube: St52.3 Din2393 Iso H9

Volume =  $\pi r^2 \times h$  (height)  
 Example = Cylinder 40-70/80-400 (mm)  
 $3.5^2 \times 3.14 \times 0.04$  (m.)  
 Total 1.5386 litres

Push Force =  $\pi r^2 \times \text{pressure (bar)}$   
 Example = Cylinder 40-70/80  
 $3.5^2 \times 3.14 \times 150$  (bar)  
 Total 5.769.75 Kgs

Push Force =  $\pi r^2 \times \text{pressure (bar)}$   
 Example = Cylinder 40-70/80  
 Calculate Rod Area:  $3.14 \times 2.0^2 = 12,56$   
 Calculate Tube Area:  $3.14 \times 3.5^2 = 38,465$   
 Subtract Areas:  $38,465 - 12,56 = 25,905$   
 Strength:  $25,905 \times 150$  (bar) = 3885.79

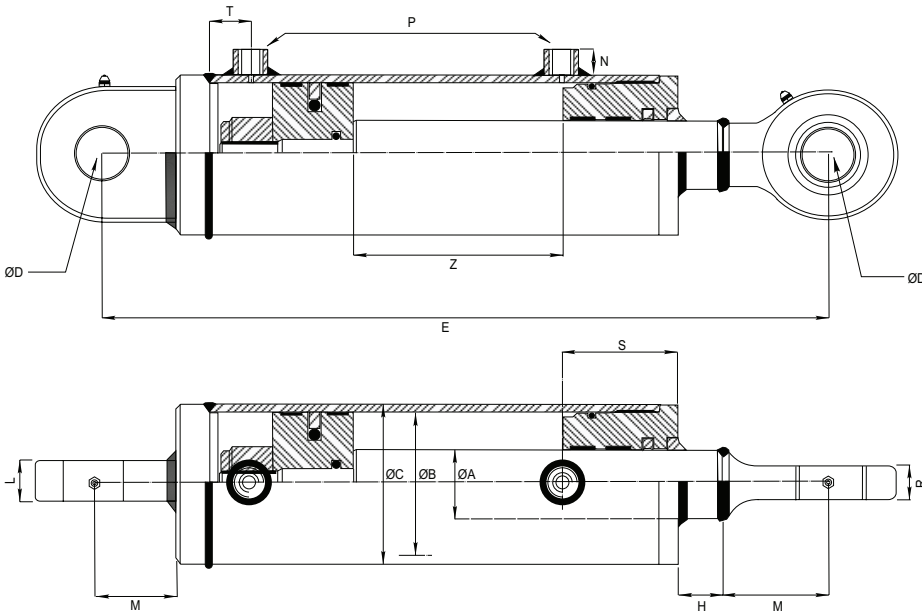




ORDER CODE	ØA	STROKE	E	B	C	H	T	S	P	VOL (LITRES)	WEIGHT (KGS)	NETT. PRICE								
												£ STERLING	€ EUROS							
300/010	20	100	233	32	40	46	10	33	1/4"	0.1	1.9	£36.41	€ 49.14							
300/020		200	333							0.16	2.5	£39.82	€ 53.75							
300/030		300	433							0.24	3.1	£43.23	€ 58.36							
301/020	25	200	345	40	50	30	16	42	3/8"	0.25	3.5	£46.99	€ 63.44							
301/030		300	445							0.38	4.5	£51.53	€ 69.56							
301/040		400	545							0.5	5.5	£56.06	€ 75.69							
301/050		500	645							0.69	6.5	£62.56	€ 84.46							
301/060		600	745							0.76	7.5	£67.19	€ 90.71							
301/070		700	845							0.88	8.5	£91.43	€ 123.43							
302/020		30	200							370	50	60	47	20	43	3/8"	0.39	4.9	£56.39	€ 76.12
302/030	300		470	0.59	6.2	£64.14	€ 86.58													
302/040	400		570	0.79	7.5	£67.80	€ 91.53													
302/050	500		670	0.98	8.8	£76.35	€ 103.06													
302/060	600		770	1.18	10.1	£82.47	€ 111.33													
302/070	700		870	1.37	11.4	£92.70	€ 125.14													
303/020	200		371	60	70	46	20	47	3/8"	0.57							6.2	£65.02	€ 87.77	
303/030	300		471							0.85							7.5	£71.06	€ 95.94	
303/040	400		571							1.13							8.9	£77.11	€ 104.10	
303/050	500		671							1.41							10.3	£83.17	€ 112.28	
303/060	600	771	1.7							11.6	£89.22	€ 120.45								
303/070	700	871	1.98							13	£100.20	€ 135.27								
304/020	40	200	371							70	80	34	20	51	3/8"	0.77	8.7	£83.32	€ 112.49	
304/030		300	471													1.15	10.6	£92.03	€ 124.23	
304/040		400	571													1.54	12.6	£100.73	€ 135.99	
304/050		500	671													1.92	14.5	£109.46	€ 147.77	
304/060		600	771	2.31	16.4	£118.12	€ 159.46													
304/070		700	871	2.69	18.3	£134.58	€ 181.69													
305/020		200	371	80	90	21	26	56	3/8"							1.01	11.6	£102.63	€ 138.54	
305/030		300	471													1.51	13.8	£113.35	€ 153.01	
305/040		400	571													2.01	16.1	£124.11	€ 167.56	
305/050		500	671													2.51	18.4	£134.82	€ 182.01	
305/060	600	771	3.02							20.6	£145.57	€ 196.52								
305/070	700	871	3.52							22.9	£165.41	€ 223.31								
306/020	50	200	382							90	100	28	26	60	3/8"	1.27	14.1	£130.42	€ 176.07	
306/030		300	482													1.91	17.05	£149.70	€ 202.09	
306/040		400	582													2.54	20.1	£168.42	€ 227.35	
306/050		500	682													3.17	23.15	£187.42	€ 253.02	
306/060		600	782	3.8	26.2	£206.43	€ 278.68													
306/070		700	882	4.43	29.35	£225.44	€ 304.34													
307/030		70	300	487	100	115	25	26	67							1/2"	2.36	23.9	£195.30	€ 263.65
307/040			400	587													3.14	27.4	£215.88	€ 291.44
307/050			500	687													3.94	30.9	£240.85	€ 325.14
307/060			600	787													4.74	34.5	£269.20	€ 363.42
307/070	700		887	5.54						38	£291.02	€ 392.87								
308/040	70		400	655						120	140	39	30	67	1/2"		4.23	50.1	£POA	€POA
308/050			500	755													5.65	57.25	£POA	€POA
308/060		600	855	7.07	64.5	£POA	€POA													
308/070		700	955	8.49	71.8	£POA	€POA													

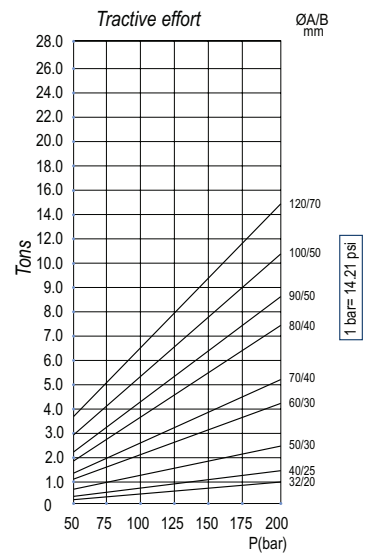
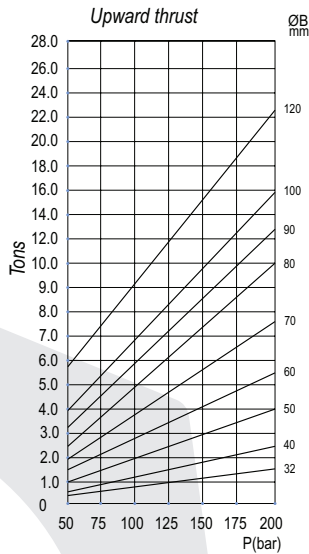
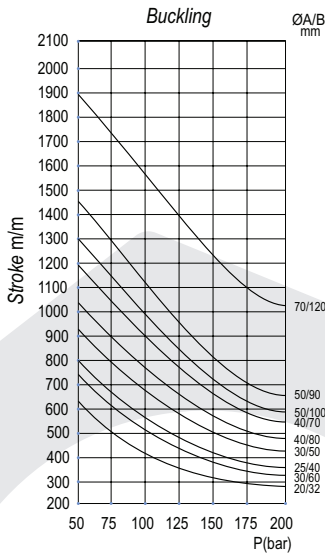
## SERIES 400 - DOUBLE ACTING HYDRAULIC CYLINDER

www.flowfitonline.com  
TECH. DATA SHEET  
**FHC04**



Working pressure: 180 bars.  
Speed: 0.5 m/s.  
Working temperature: -25°C - +80°C.  
Oil: Mineral oil.  
Rod: C45 T7 25 microns.  
Tube: St52.3 Din2393 Iso H9

Option: Dual pilot operated check valve set. (VADP008EX).  
TAC and TPN series welded ball joints.

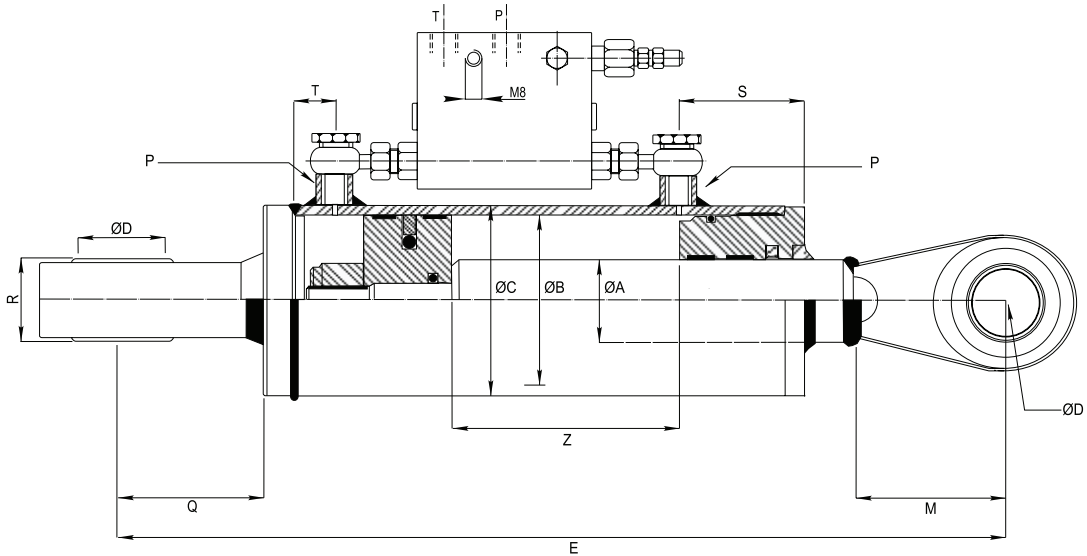


ORDER CODE	ØA	Z STROKE	E	B	C	D	H	T	N	L	S	M	R	P	VOL	WEIGHT	NETT. PRICE	
																	£ STERLING	€ EUROS
400/010	20	100	280	32	40	20.00 <sup>+0.02</sup> <sub>-0.00</sub>	14	10	16	19	33	38	16	1/4"	0.1	2.5	£63.20	€ 85.32
400/020		200	380												0.16	3.1	£70.44	€ 95.08
400/030		300	480												0.24	3.7	£77.62	€ 104.79
401/020	25	200	410	40	50	20.004 <sup>+0.02</sup> <sub>-0.00</sub>	19	16	16	19	42	38	16	3/8"	0.25	4.1	£91.86	€ 124.02
401/030		300	510												0.38	5.1	£103.00	€ 139.05
401/040		400	610												0.5	6.1	£117.27	€ 158.31
401/050		500	710												0.69	7.1	£125.25	€ 169.08
401/060		600	810												0.76	8.1	£136.38	€ 184.12
401/070		700	910												0.88	9.1	£150.34	€ 202.95
402/020		200	430												50	60	25.00 <sup>+0.02</sup> <sub>-0.00</sub>	17
402/030	300	530	0.59	7.2	£108.90	€ 147.01												
402/040	400	630	0.79	8.5	£120.28	€ 162.38												
402/050	500	730	0.98	9.8	£136.66	€ 184.49												
402/060	600	830	1.18	11.1	£143.05	€ 193.10												
402/070	700	930	1.37	12.4	£154.41	€ 208.45												
403/020	200	430	60	70	30.00 <sup>+0.02</sup> <sub>-0.00</sub>	15	20	16	23	45	20	47	3/8"	0.57				
403/030	300	530												0.85	8.5	£119.20	€ 160.91	
403/040	400	630												1.13	9.8	£131.73	€ 177.83	
403/050	500	730												1.41	11.1	£144.08	€ 194.52	
403/060	600	830												1.7	12.4	£156.55	€ 211.35	
403/070	700	930												1.98	13.7	£169.04	€ 228.21	
404/020	200	465												70	80	30.00 <sup>+0.02</sup> <sub>-0.00</sub>	26	16
404/030	300	565	1.15	12.15	£163.56	€ 220.81												
404/040	400	665	1.54	14.05	£180.37	€ 243.51												
404/050	500	765	1.92	15.95	£195.80	€ 264.34												
404/060	600	865	2.31	17.85	£213.95	€ 288.84												
404/070	700	965	2.69	19.75	£230.75	€ 311.53												
405/020	200	465	80	90	40.00 <sup>+0.02</sup> <sub>-0.00</sub>	13	26	35	69	28	56	28	3/8"					
405/030	300	565												1.51	15.35	£204.14	€ 275.59	
405/040	400	665												2.01	17.55	£223.86	€ 302.22	
405/050	500	765												2.51	19.75	£243.52	€ 328.74	
405/060	600	865												3.02	21.95	£263.16	€ 355.28	
405/070	700	965												3.52	24.15	£282.83	€ 381.82	
406/020	200	510												90	100	40.00 <sup>+0.02</sup> <sub>-0.00</sub>	18	16
406/030	300	610	1.91	20.75	£273.66	€ 369.44												
406/040	400	710	2.54	23.7	£294.67	€ 397.81												
406/050	500	810	3.17	26.65	£301.94	€ 407.61												
406/060	600	910	3.8	29.6	£340.55	€ 459.73												
406/070	700	1010	4.43	32.55	£373.26	€ 503.90												
407/030	300	615	100	115	50.00 <sup>+0.02</sup> <sub>-0.00</sub>	15	20	67	88	35	67	35	1/2"					
407/040	400	715												3.14	31.1	£389.36	€ 525.64	
407/050	500	815												3.94	34.6	£397.18	€ 536.20	
407/060	600	915												4.74	38.1	£442.72	€ 597.68	
407/070	700	1015												5.54	41.6	£484.97	€ 654.72	
408/040	400	770												4.23	57	£543.11	€ 733.19	
408/050	500	870												5.65	64.15	£583.10	€ 787.19	
408/060	600	970	7.07	71.3	£701.79	€ 947.43												
408/070	700	1070	8.49	78.45	£841.15	€ 1,135.54												



**SERIES 590 - TURN-OVER PLOUGH CYLINDER**

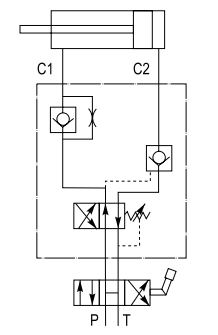
www.flowfitonline.com  
TECH. DATA SHEET  
**FHC05**



Hydraulic valve diagram

Operation: Can be mounted on a circuit of single and double acting. It is equipped with TAC and TPN ball joints for easier mounting.

Reference of the turn-over plough valve: VSEB03802. (Mounting in pipe Din2353).

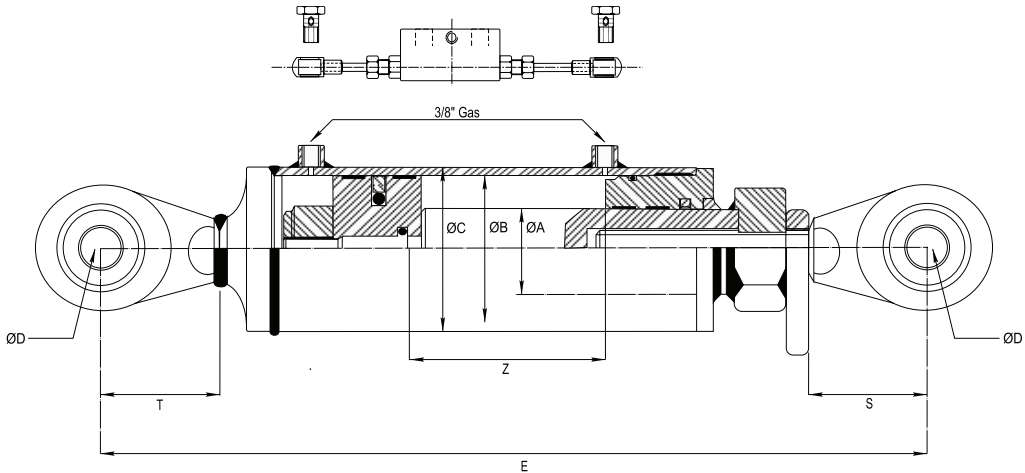


ORDER CODE	ØA	Z STROKE	E	B	C	D	Q	M	S	R	P	T	VOL	WEIGHT	NETT. PRICE	
															£ STERLING	€ EUROS
591/016	30	160	400	50	60	30.2	51	51	43	28	3/8"	20	0.3	8.5	£440.81	€ 595.09
592/016	40			70	80		51	51	51	28	3/8"	26	0.6	11.8	£472.44	€ 637.78
593/016	40			80	90		56	0.85	13.2	£479.81	€ 647.74					



**SERIES 600 - STANDARD HYDRAULIC TOP LINK**

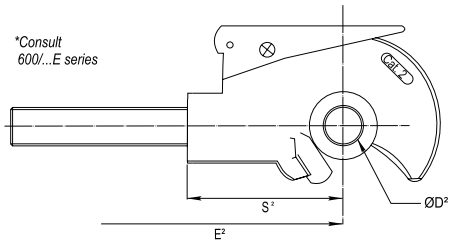
www.flowfitonline.com  
TECH. DATA SHEET  
**FHC06**



*Option 1st: Dual pilot operated check valve set. (VADP008EX).  
Adjustable length between centers.*

*Option 2nd: Ability to change the standard ball joint  
for rapid hook in the rod. (Cat.2).*

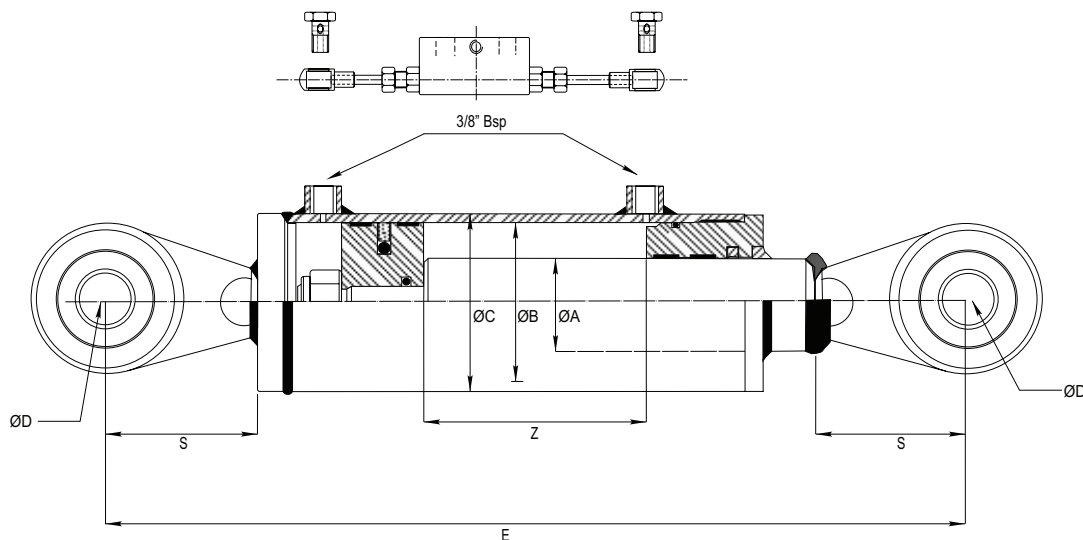
*Working pressure: 180 bars.  
Speed: 0.5 m/s.  
Working temperature: -25°C - +80°C.  
Oil: Mineral oil.  
Rod: C45 f7 25 microns.  
Tube: St52.3 Din2393 Iso H9*



ORDER CODE	ØA	Z STROKE	E	E²	B	C	D	D²	S	S²	T	VOL	WEIGHT	NETT. PRICE	
														£ STERLING	€ EUROS
600/020	40	200	510	60	70	25.4	55	19.30	65	70	65	0.6	11.5	£140.58	€ 189.79
600/025		250	560									0.75	12.5	£148.68	€ 200.72
600/030		300	610									0.9	13.5	£156.78	€ 211.66
601/020	45	200	530	70	80	30.40	105	28.40	70	70	70	0.8	14	£160.34	€ 216.45
601/025		250	580									1.05	15	£172.61	€ 233.02
601/030		300	630									1.25	16	£191.10	€ 257.97
600/020E	40	200	560	60	70	25.40	105	22.40	65	65	65	0.6	13.5	£203.39	€ 274.57
600/025E		250	610									0.75	14.5	£209.73	€ 283.12
600/030E		300	660									0.9	15.5	£222.61	€ 300.52
601/020E	45	200	580	70	80	30.40	105	28.40	70	70	70	0.8	16	£227.65	€ 307.32
601/025E		250	630									1.05	17	£250.51	€ 338.18
601/030E		300	680									1.25	18	£268.95	€ 363.09

## SERIES 610 - HYDRAULIC TOP LINK (FIXED)

www.flowfitonline.com  
TECH. DATA SHEET  
**FHC07**

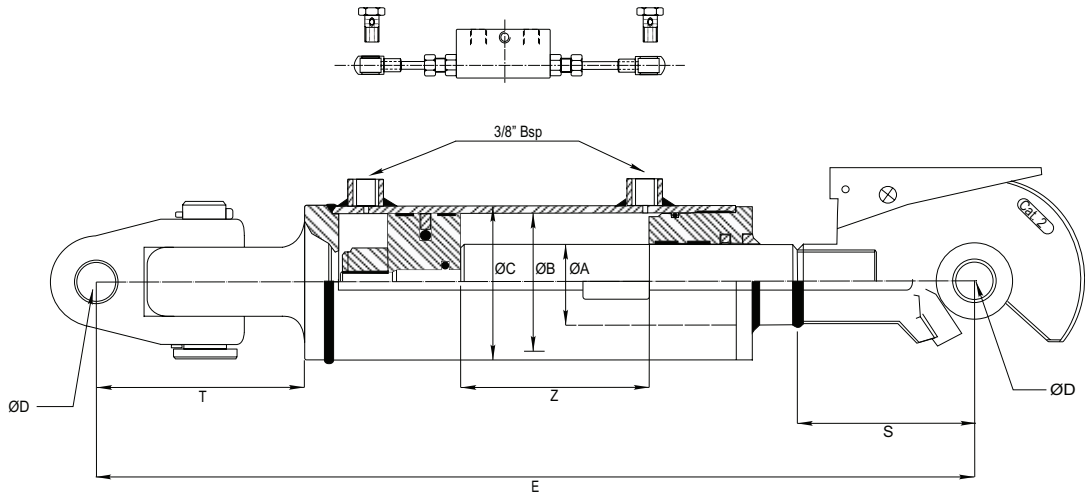


Working pressure: 180 bars.  
Speed: 0.5 m/s.  
Working temperature: -25°C - +80°C.  
Oil: Mineral oil.  
Rod: C45 f7 25 microns.  
Tube: St52.3 Din2393 Iso H9

Option : Dual pilot operated check valve set. (VADP008EX).  
Ball joints welded.

ORDER CODE	ØA	Z STROKE	E	B	C	ØD	S	VOL	WEIGHT	NETT. PRICE					
										£ STERLING	€ EUROS				
610/016	30	160	416	50	60	19.3	60	0.32	5.6	£95.56	€ 129.01				
610/021		210	466			19.3		0.42	6.2	£101.50	€ 137.02				
610/028		280	536			19.3		0.56	7.1	£110.24	€ 148.82				
610/040		400	656			19.3		0.8	8.5	£128.29	€ 173.19				
610/016A		160	426			25.4		0.32	6.3	£95.56	€ 129.01				
610/021A		210	476			25.4		0.42	6.9	£101.50	€ 137.02				
610/028A		280	546			25.4		0.56	7.9	£110.24	€ 148.82				
610/040A		400	666			25.4		0.8	9.2	£128.29	€ 173.19				
611/016		35	160			440		60	70	25.4	65	0.48	7.8	£107.92	€ 145.69
611/021			210			490				25.4		0.63	8.6	£115.43	€ 155.83
611/028	280		560	25.4	0.84	9.6	£126.00			€ 170.10					
611/040	400		680	25.4	1.2	15.6	£144.08			€ 194.52					
612/016	40	160	461	80	90	25.4	70	0.9	12.5	£141.52	€ 191.05				
612/021		210	511			25.4		1.2	13.7	£151.30	€ 204.25				
612/028		280	581			25.4		1.6	15.2	£166.91	€ 225.33				
612/040		400	701			25.4		2.2	18	£174.47	€ 235.55				

# SERIES 620 - HYDRAULIC TOP LINK (RAPID HOOK)



Working pressure: 180 bars.  
Speed: 0.5 m/s.  
Working temperature: -25°C - +80°C.  
Oil: Mineral oil.  
Rod: C45 f7 25 microns.  
Tube: St52.3 Din2393 Iso H9

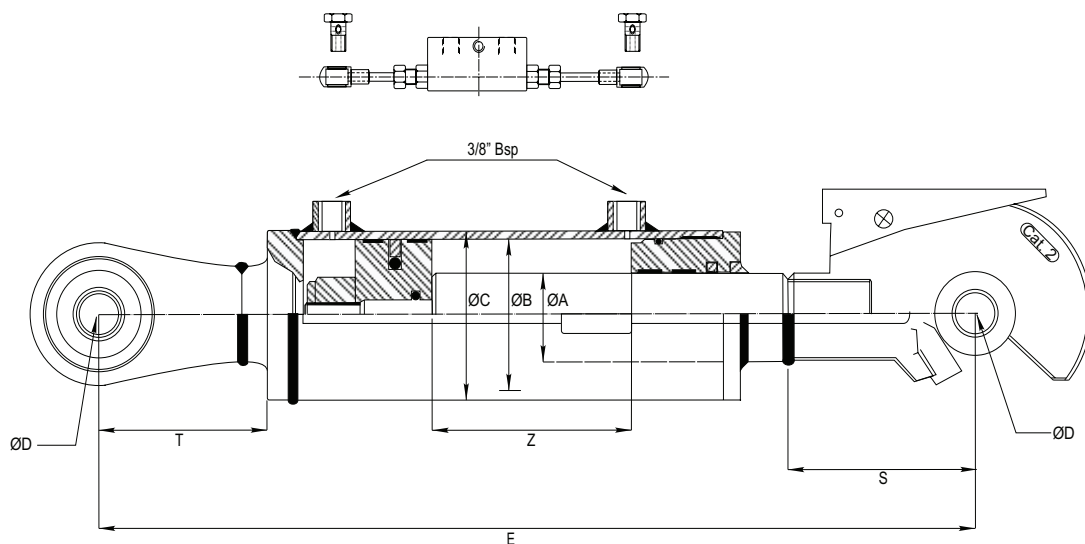
Option : Dual pilot operated check valve set. (VADP008EX).  
Ball joints welded.

ORDER CODE	ØA	Z STROKE	E	B	C	ØD	S	RANGE	T	VOL	WEIGHT	NETT. PRICE	
												£ STERLING	€ EUROS
620/020	35	200	550	60	70	19.40	105	Cat.2	95	0.55	12.5	£208.77	€ 281.84
620/025		250	600							0.7	13.5	£218.12	€ 294.45
621/020		200	550	70	80					0.95	14	£234.13	€ 316.08
621/025		250	600							1.15	15.5	£228.39	€ 308.32
622/020	40	200	600	80	95	25.40	132	Cat.3	95	1.1	18	£305.93	€ 413.00
622/025		250	650							1.35	20	£311.64	€ 420.72
623/020		200	600	90	105					1.3	19.5	£320.55	€ 432.76
623/025		250	650							1.65	22	£328.60	€ 443.61
624/020	45	200	600	100	115	32.40				1.55	22.5	£351.77	€ 474.89
624/025		250	650							1.9	25.5	£366.34	€ 494.55



## SERIES 630 - HYDRAULIC TOP LINK (RAPID HOOK)

www.flowfitonline.com  
TECH. DATA SHEET  
**FHC09**



Working pressure: 180 bars.  
Speed: 0.5 m/s.  
Working temperature: -25°C - +80°C.  
Oil: Mineral oil.  
Rod: C45 f7 25 microns.  
Tube: St52.3 Din2393 Iso H9

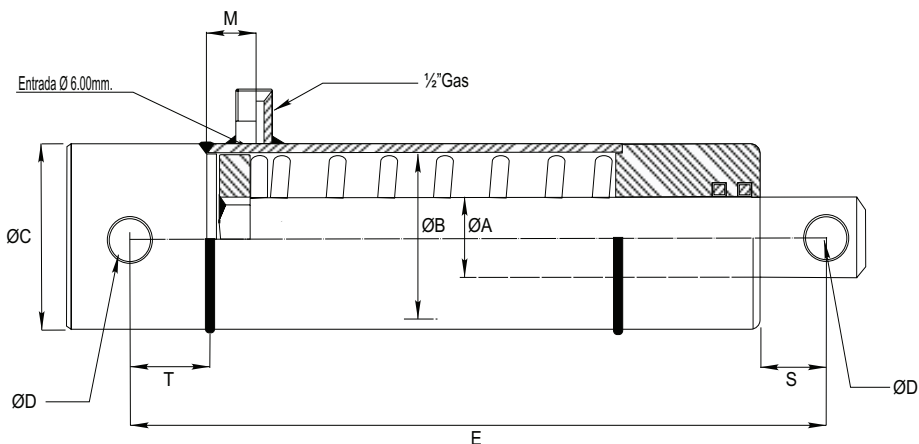
Option : Dual pilot operated check valve set. (VADP008EX).  
Ball joints and rapid hook welded.

ORDER CODE	ØA	Z STROKE	E	B	C	ØD	S	RANGE	T	VOL	WEIGHT	NETT. PRICE		
												£ STERLING	€ EUROS	
630/020	35	200	550	60	70	19.40	105	Cat.2	95	0.55	12.5	£191.46	€ 258.48	
630/025		250	600							0.7	13.5	£198.49	€ 267.97	
631/020		200	550	70	80					20.40	0.95	14	£202.39	€ 273.24
631/025		250	600							22.40	1.15	15.5	£210.90	€ 284.72
632/020	40	200	600	80	95	25.40	132	Cat.3	95	1.1	18	£278.54	€ 376.03	
632/025		250	650							1.35	20	£290.43	€ 392.08	
633/020		200	600	90	105					28.40	1.3	19.5	£293.01	€ 395.57
633/025		250	650							30.40	1.65	22	£304.62	€ 411.24
634/020	45	200	600	100	115	32.40				1.55	22.5	£323.41	€ 436.60	
634/025		250	650							1.9	25.5	£337.89	€ 456.15	



## SERIES 700 - BRAKE CYLINDER (SINGLE ACTING)

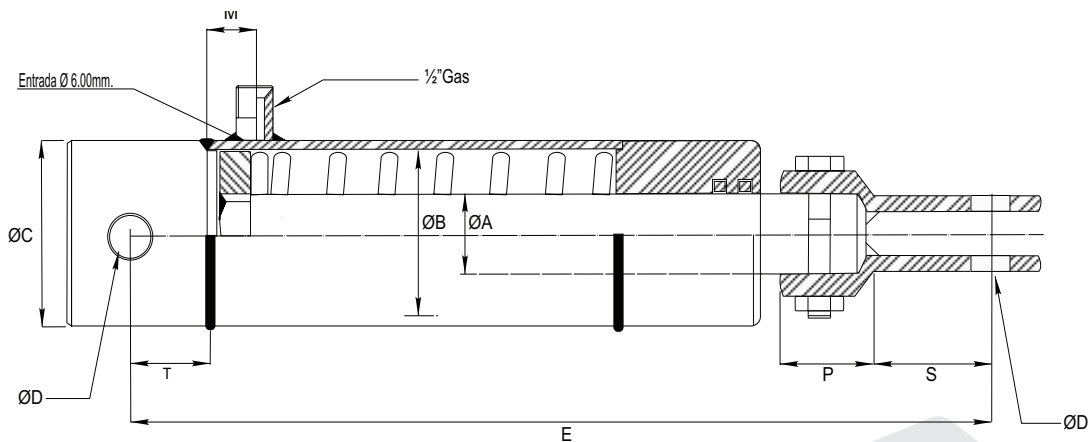
www.flowfitonline.com  
TECH. DATA SHEET  
**FHC10**



ORDER CODE	ØA	Z STROKE	E	B	C	D	S	T	M	VOL	WEIGHT	NETT. PRICE	
												£ STERLING	€ EUROS
700/010	25	100	240	35	45	12.25	17	15	25	0.12	2.5	£34.62	€ 46.74

## SERIES 710 - BRAKE CYLINDER (SINGLE ACTING)

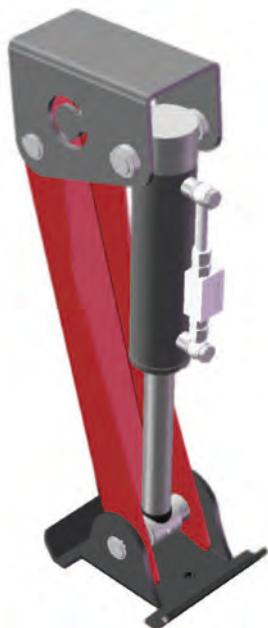
www.flowfitonline.com  
TECH. DATA SHEET  
**FHC10**



ORDER CODE	ØA	Z STROKE	E	B	C	D	S	T	P	M	VOL	WEIGHT	NETT. PRICE	
													£ STERLING	€ EUROS
710/010	25	100	300	35	45	12.25	35	15	15	25	0.12	2.3	£POA	€POA

## FOLDING HYDRAULIC CRUTCH

www.flowfitonline.com  
TECH. DATA SHEET  
**FHC11**



The new PHR design features an innovative support for trailers which is based on a retracting double acting hydraulic system, that ensures better performance user convenience.

### CHARACTERISTICS

- Hydraulic crutch with double acting cylinder.
- Use: stabilizer for trailer front shaft
- Maximum Pressure: 200 bar
- Maximum speed: 0.5 m/s
- Temperature: -30°C a 90°C
- Mineral hydraulic oil

### WELDING

- Do not Weld on the cylinder.  
To weld on any other component, please take pieces apart first.

### RECOMMENDATIONS

- Check the oil cleanlines (pollution).
- Grease frequently.
- Check that there are no obstacles blocking the free movement of parts

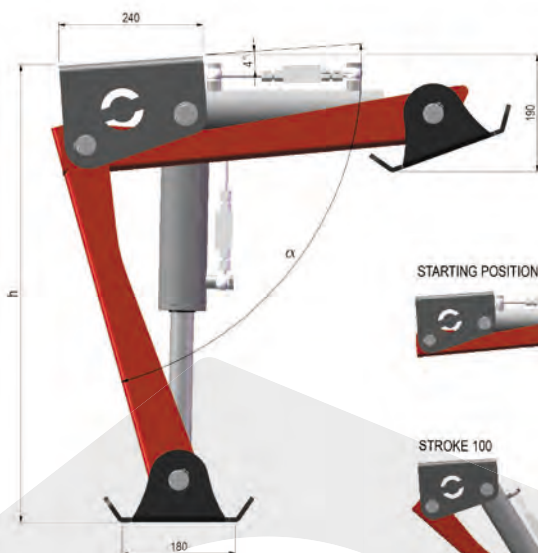
### STORAGE

- In case of long-term storage under severe weather conditions, the rod must be fully retracted and greased.



PRODUCT REFERENCE	DESCRIPTION	FULL BORE OIL VOLUME	PRICE	
			£ STERLING	€ EUROS
ZZ007304	FOLDING HYDRAULIC CRUTCH WITH CYLINDER PISTON 70MM	0.77 LITRE	£200.72	€ 270.97
ZZ007305	FOLDING HYDRAULIC CRUTCH WITH CYLINDER PISTON 80MM	1.01 LITRE	£210.92	€ 284.75

POSITION	$\alpha$	HEIGHT h (mm.)	LOAD PHR70 (kg.)	LOAD PHR80 (kg.)
STARTING	1°	180	-	-
STROKE 25	16°	352	3500	4500
STROKE 50	27°	459	5000	6600
STROKE 100	45°	586	6800	8800
STROKE 150	62°	695	7500	9800
STROKE 200	78°	759	7600	10000



STARTING POSITION



STROKE 25



STROKE 50



STROKE 100



STROKE 150



STROKE 200



