

# FT series

Flanged and welded mounting filler breathers

## Technical information

- Materials:**
- Cap: chrome plated steel
  - Basket: zinc plated steel
  - Flange: zinc plated steel
  - Gasket: cork

**Filter media:** Cellulose 10 - 40  $\mu\text{m}$



## Ordering information

| MEDIA |                            |
|-------|----------------------------|
| C10   | cellulose 10 $\mu\text{m}$ |
| C40   | cellulose 40 $\mu\text{m}$ |

| MEDIA |                            |
|-------|----------------------------|
| C10   | cellulose 10 $\mu\text{m}$ |
| C40   | cellulose 40 $\mu\text{m}$ |

| Filter assembly | NOMINAL SIZE | MEDIA      | MOUNTING TYPE | PRESSURIZING VALVE | PADLOCK HOLDER |
|-----------------|--------------|------------|---------------|--------------------|----------------|
| <b>FT</b>       | <b>8</b>     | <b>C10</b> | <b>/2</b>     | <b>V07</b>         | <b>L</b>       |

| MOUNTING TYPE |                          |
|---------------|--------------------------|
| --            | FT-5 only                |
| /1            | flange, basket L 80      |
| /2            | flange, basket L 150     |
| /F            | flange, removable basket |
| /G            | welding flange           |
| /S            | with antisplash tube     |

| PRESSURIZING VALVE |                       |
|--------------------|-----------------------|
| 000                | no pressurizing valve |
| *V03               | 0,35 bar / 5 psi      |
| *V07               | 0,75 bar / 10,8 psi   |

\*FT-8 only, see page 10

| PADLOCK HOLDER |                     |
|----------------|---------------------|
| 0              | no padlock holder   |
| *L             | with padlock holder |

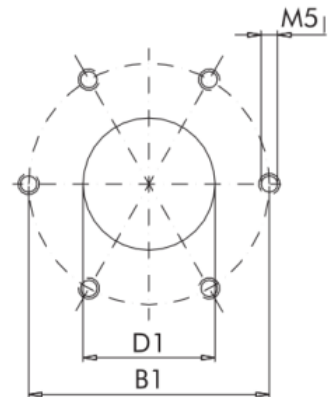
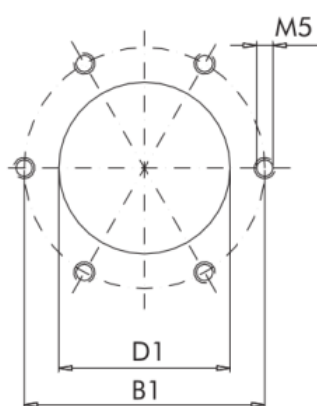
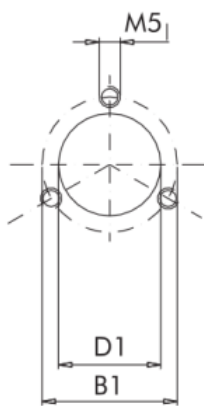
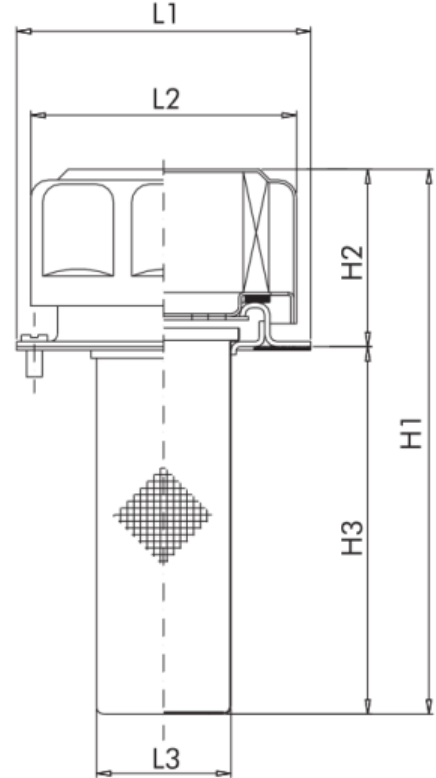
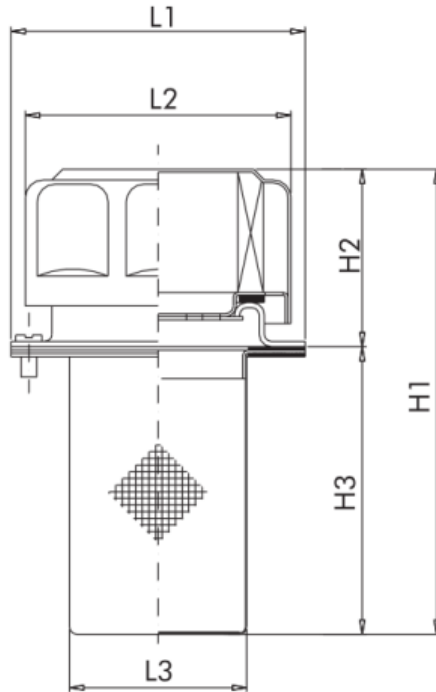
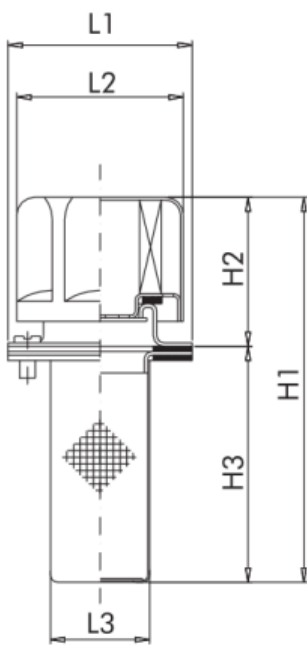
\*FT-8 only, see page 10

# FLANGE MOUNTING

**FT-5**

**FT-8/1 - FT-8/2**

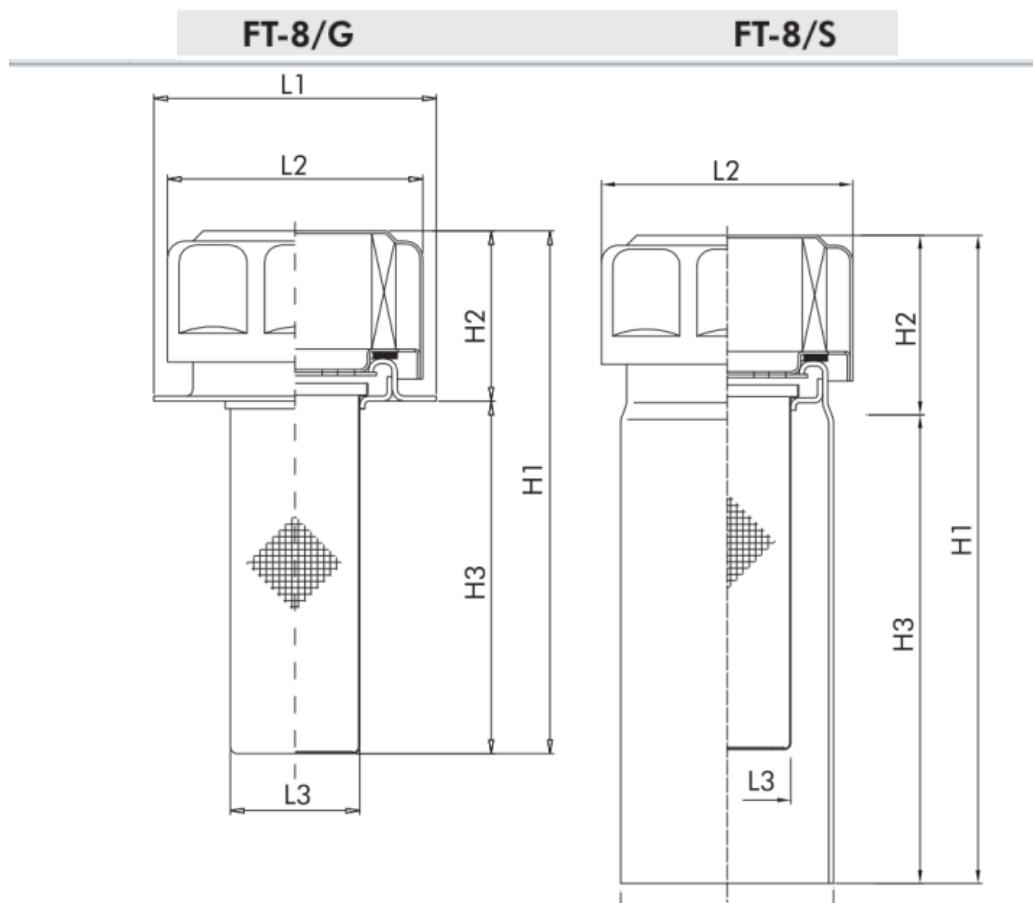
**FT-8/F**



## Nominal size

| CODE       | B1 | D1 | H1  | H2 | H3  | L1 | L2 | L3   | SAFETY CHAIN |
|------------|----|----|-----|----|-----|----|----|------|--------------|
| FT-5       | 41 | 31 | 107 | 42 | 65  | 52 | 47 | 27,5 | no           |
| FT-8-.../1 | 73 | 52 | 130 | 50 | 80  | 83 | 75 | 50   | yes          |
| FT-8-.../2 |    |    | 200 |    | 150 |    |    |      | yes          |
| FT-8-.../F |    | 40 | 150 |    | 100 |    |    |      | no           |

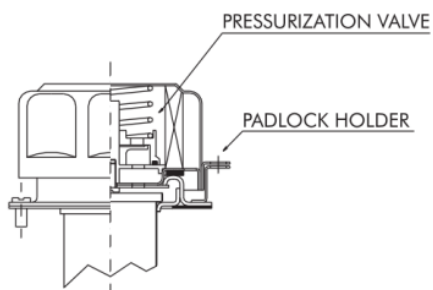
## WELDED MOUNTING



### Nominal size

| CODE       | D1 | H1  | H2 | H3  | L1   | L2 | L3 | SAFETY CHAIN |
|------------|----|-----|----|-----|------|----|----|--------------|
| FT-8-.../G | 40 | 150 | 50 | 100 | 83   | 75 | 38 | no           |
| FT-8-.../S | 64 | 183 |    | 133 | 63,5 |    |    |              |

### Options



The FT-8 filler brathers can be supplied on request with some optional device:

- PRESSURIZATION VALVE
- PADLOCK HOLDER

N.B. FT-8/1 and /2 are equipped with a safety chain to avoid accidental loss of the cap