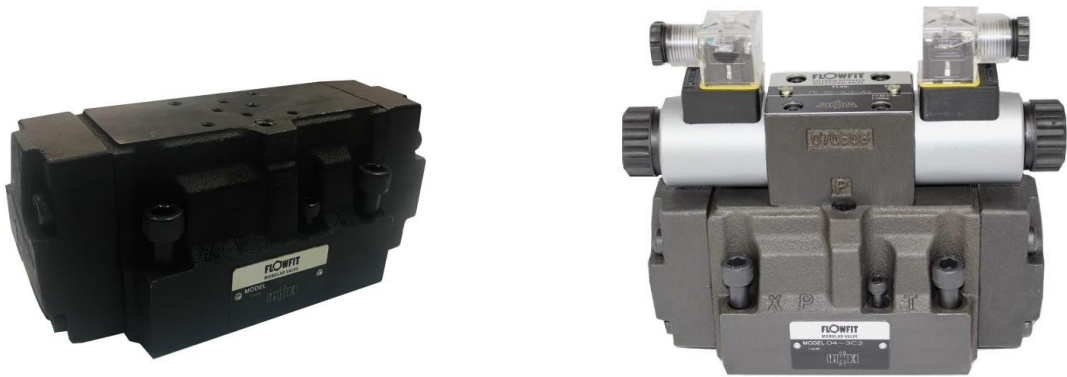




**MANUFACTURERS AND SUPPLIERS  
OF HYDRAULIC COMPONENTS**

## DIRECTIONAL CONTROL VALVES

### SOLENOID PILOT OPERATED DIRECTIONAL CONTROL VALVES – CETOP 8



#### TECHNICAL DATA

<b>MODEL</b>			<b>F5-25</b>
<b>MAX. FLOW RATE (L/MIN)</b>			<b>300</b>
<b>MAX. WORKING PRESSURE (MPa)</b>	<b>A, B, P Port</b>		<b>315 BAR</b>
	<b>T Port</b>	<b>External Drain</b>	<b>250 BAR</b>
		<b>Internal Drain</b>	<b>160 BAR</b>
<b>Y Port</b>	<b>External Control</b>	<b>160 BAR</b>	
<b>WEIGHT (KG)</b>	<b>Pilot Valve with Single Solenoid</b>		<b>1.6KG</b>
	<b>Pilot Valve with Double Solenoids</b>		<b>2.2KG</b>
	<b>F5-25</b>		<b>16KG</b>
<b>HYDRAULIC FLUID/SEAL MATERIAL</b>			<b>MINERAL / NBR SEALS</b>
<b>TEMPERATURE RANGE ( °C ) / VISCOSITY RANGE (MM<sup>2</sup>/S)</b>			<b>-30 TO +80/2.8 TO 500</b>
<b>OIL CLEANLINESS CLASS ACCORDING TO ISO4406</b>			<b>CLASS 20/18/15</b>

[WWW.FLOWFITONLINE.COM](http://WWW.FLOWFITONLINE.COM)

[SALES@FLOWFITONLINE.COM](mailto:SALES@FLOWFITONLINE.COM)



**MANUFACTURERS AND SUPPLIERS  
OF HYDRAULIC COMPONENTS**

## DIRECTIONAL CONTROL VALVES

### HOW TO ORDER

F5	25	E	6X
PRODUCT TYPE	SIZE	SPOOL SYMBOL	SERIES NUMBER
PILOT OPERATED DIRECTIONAL CONTROL VALVE	25: NG25	REFER TO SPOOL SYMBOLS	6X SERIES

ET	P4.5
OIL CONTROL TYPE	PRE-LOAD VALVE
REFER TO OIL CONTROL LIST IN PAGE A10	NO CODE: WITHOUT PRE-LOAD VALVE P4.5: WITH PRE-LOAD VALVE

### SPOOL SYMBOLS

= C	= D	= E	= F	= G	= H	= J	= L	= M	= P	= R	= S	= U

[WWW.FLOWFITONLINE.COM](http://WWW.FLOWFITONLINE.COM)

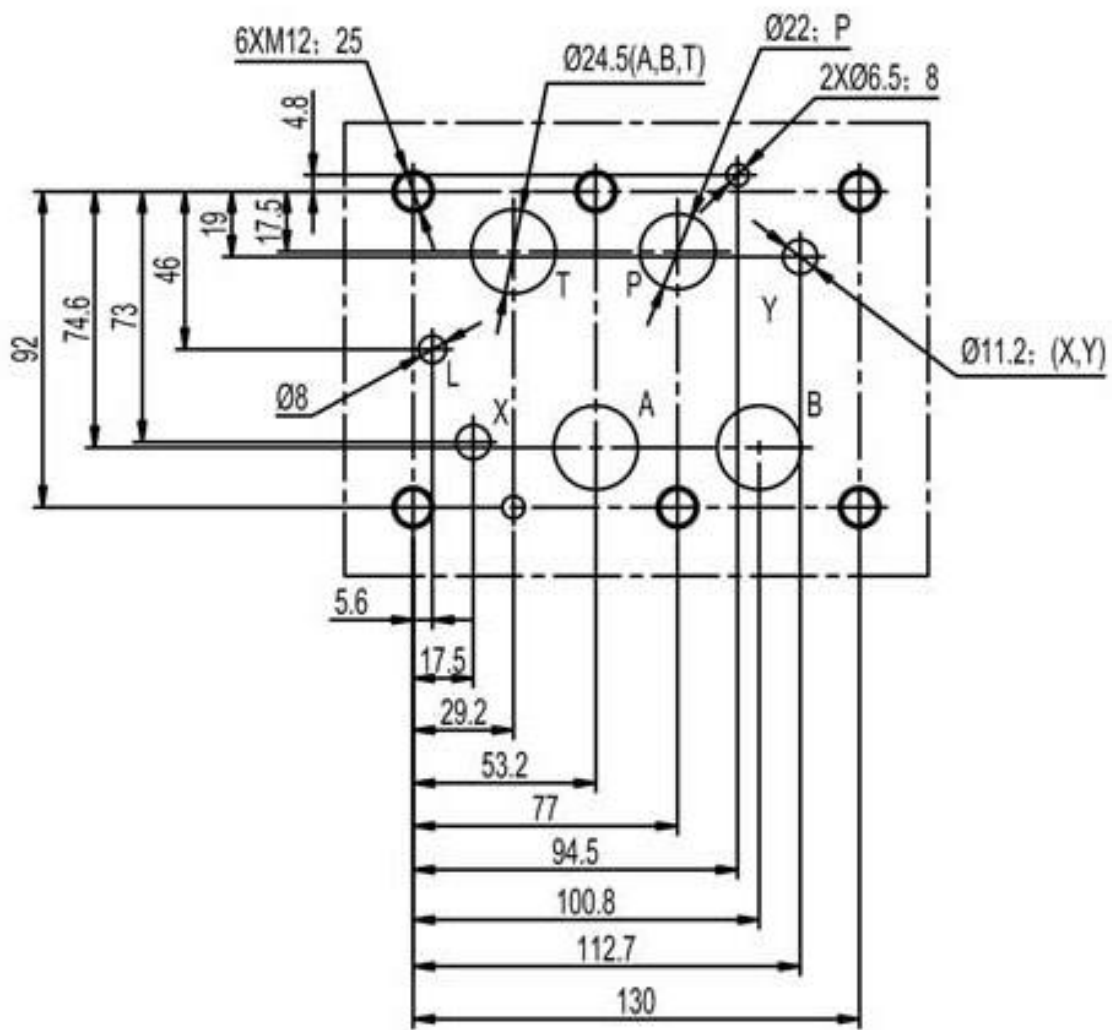
[SALES@FLOWFITONLINE.COM](mailto:SALES@FLOWFITONLINE.COM)



**MANUFACTURERS AND SUPPLIERS  
OF HYDRAULIC COMPONENTS**

# DIRECTIONAL CONTROL VALVES

## SUBPLATE INSTALLATION DIMENSIONS (MM)

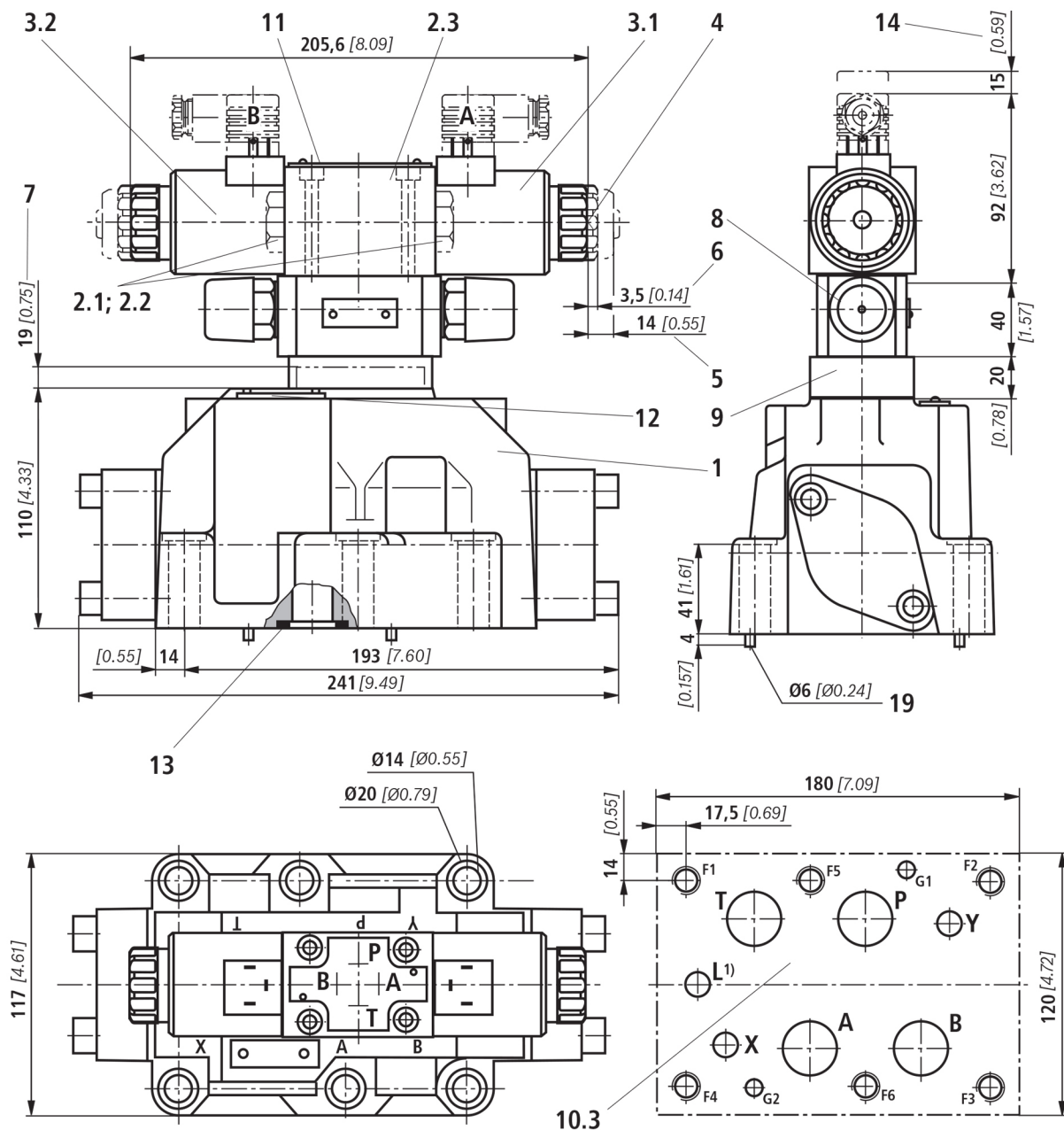




**MANUFACTURERS AND SUPPLIERS  
OF HYDRAULIC COMPONENTS**

## DIRECTIONAL CONTROL VALVES

Unit dimensions: NG25 (type W.H 22) (dimensions in mm [inch])



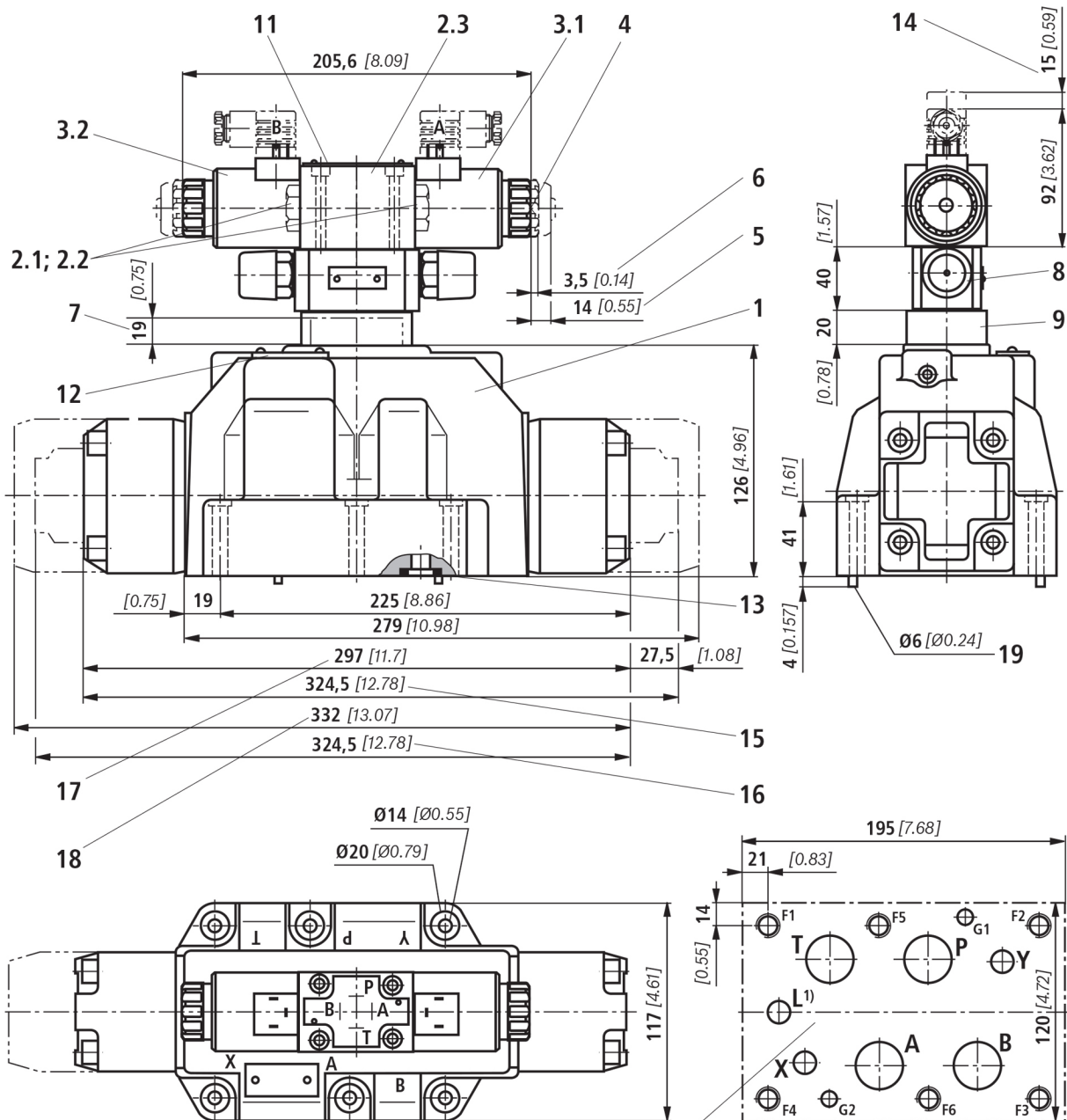
<sup>1)</sup> Port L only on valves with pressure-centered zero position



**MANUFACTURERS AND SUPPLIERS OF HYDRAULIC COMPONENTS**

# DIRECTIONAL CONTROL VALVES

Unit dimensions: NG25 (type W.H 25) (dimensions in mm [inch])



1) Port L only on valves with pressure-centered zero position